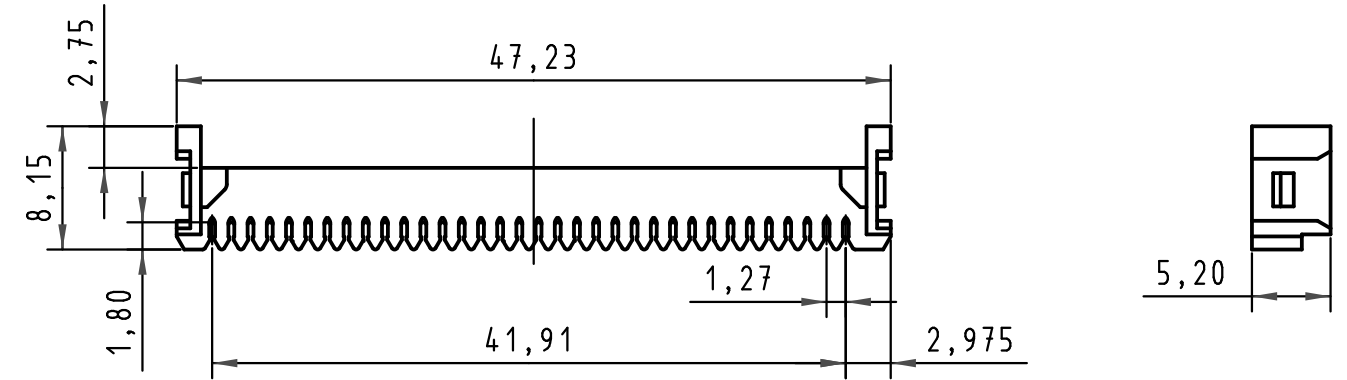
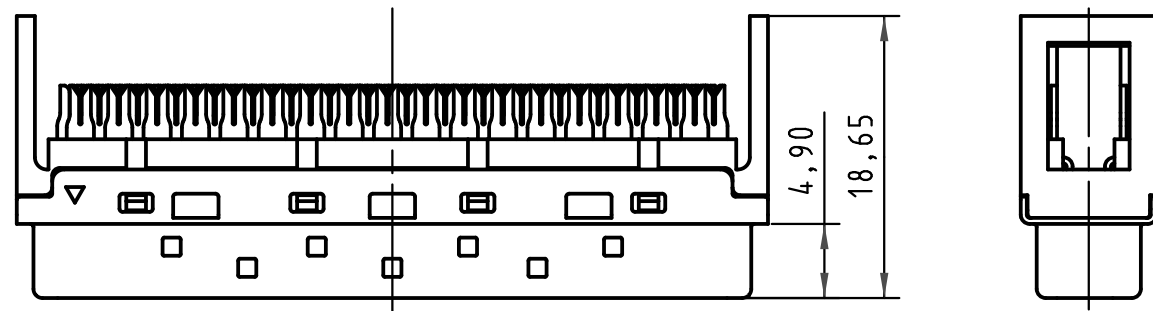
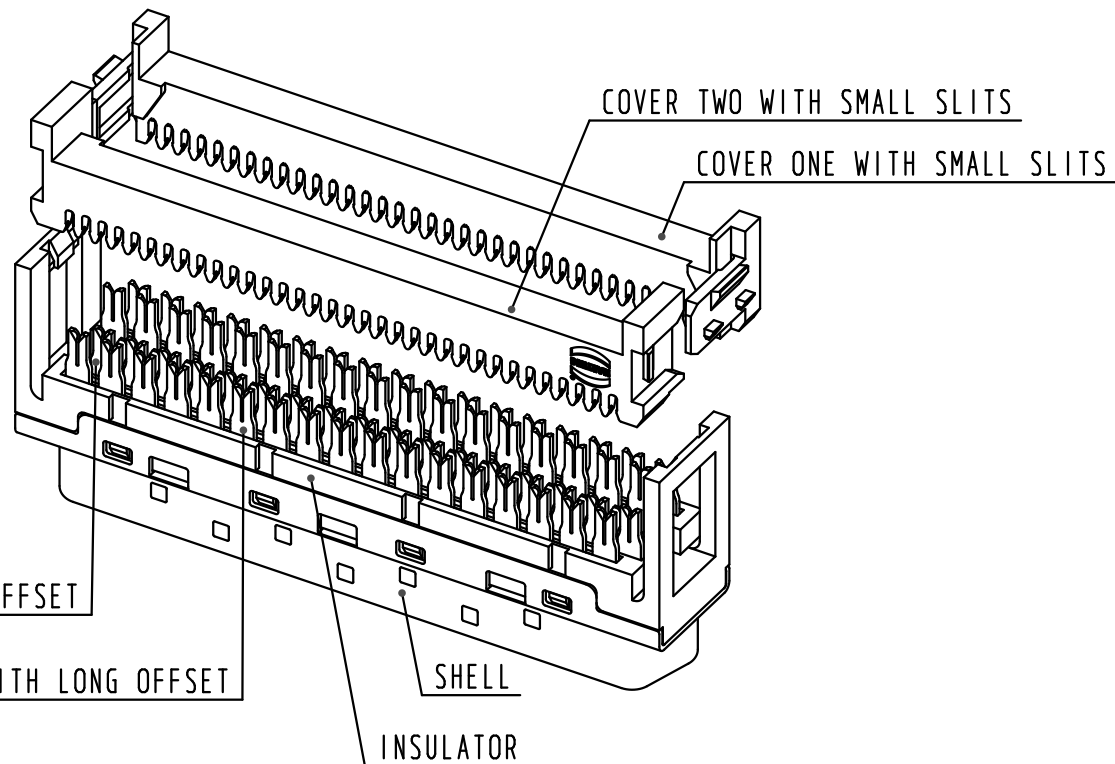


COVER ONE



COVER TWO



SPECIFICATION

THIS CONNECTOR IS ACCORDING TO IEC 61076-3-101

All Dimensions in mm Original Size DIN A 3			Techn. Character.			Free size tolerances	
Mod.	Dat.	Name	Dat.	Name	Scale	har.mik® P&S	
ECO1757	04-MAY-10	Yuri Guo	Detail.	02-JUNE-08	SW	2:1	68P pin&socket IDC Male connector For wire insulator O.D from 0.50mm~0.75mm
ECO1730	28-APR-10	Yuri Guo	Insp.				
31788	28-JUL-08	SW	Stand.				
Zhuhai Harting Limited						TB 60 03 068 5205	
						Page 1/1	