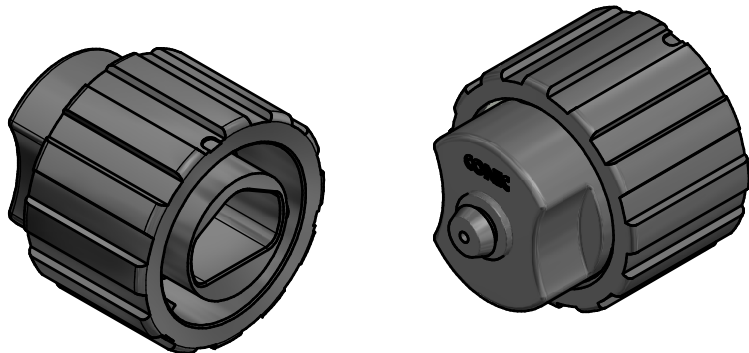
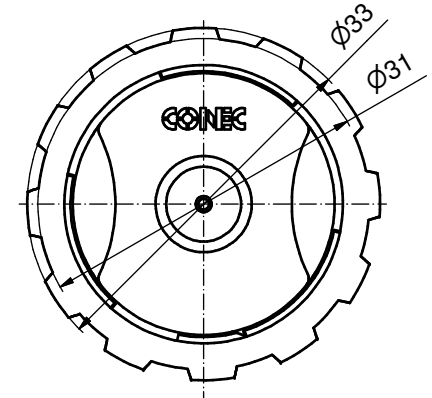
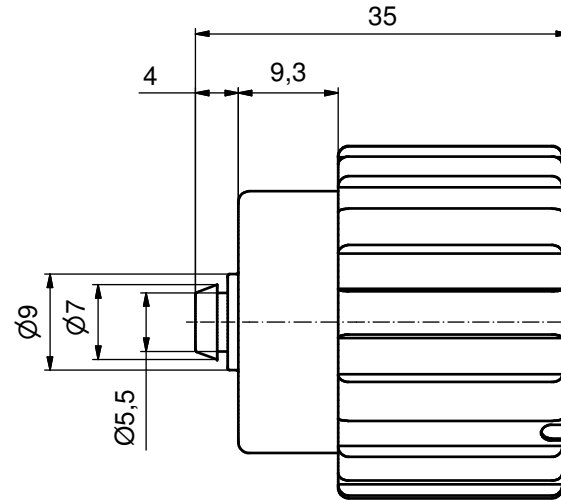
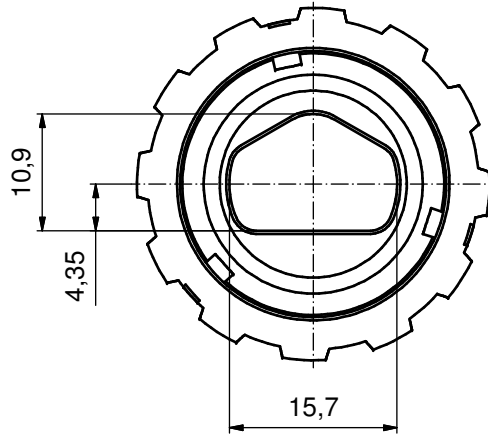
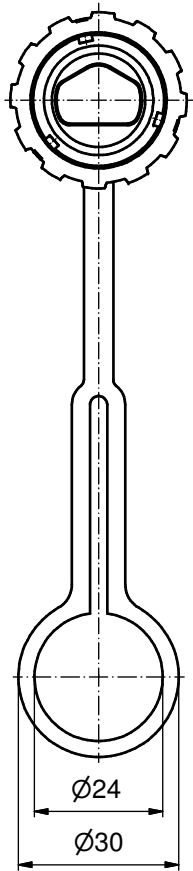




VIEWS WITHOUT TETHER



NOTES:

1. MATERIAL AND FINISH:
  - COUPLER RING: PA GF (BLACK); UL94 V-0; UL (f1) RATED
  - COVER HOUSING: PA GF (BLACK); UL94 V-0; UL (f1) RATED
  - TETHER: PE-SW (BLACK),
  - INTERFACIAL SEAL: SILICONE; COLOR: WHITE
  - RETAINING RING: STAINLESS STEEL
2. OPERATING TEMPERATURE: -40 °C to +85 °C
3. IP67 RATED WHEN COVERED OR FULLY MATED WITH THE APPROPRIATE MATING CONNECTOR

RoHS compliant

THIS DRAWING MAY NOT BE COPIED OR REPRODUCED IN ANY WAY, AND MAY NOT BE PASSED ON TO A THIRD PARTY WITHOUT WRITTEN PERMISSION. OWNERSHIP AND COPYRIGHT OF CONEC GmbH DO NOT ALTER CAD DRAWING BY HAND			 dim. in mm		scale: 2:1	
					material: see notes	
			date	name		title: (b) Protective Cover for IP67 Duplex Power 2pos Female Cable Assembly
			drawn	Schmidt		
			appd.	Strakerjahn		
		norm				
		d-old				
1 x b	Ä6182	06.06.2016	K.H.			
a	Original					
rev.	description	date	name			
				dwg no:	17K1A427	
				part no:	17-400210	
				DIN-A3	sh: 1	