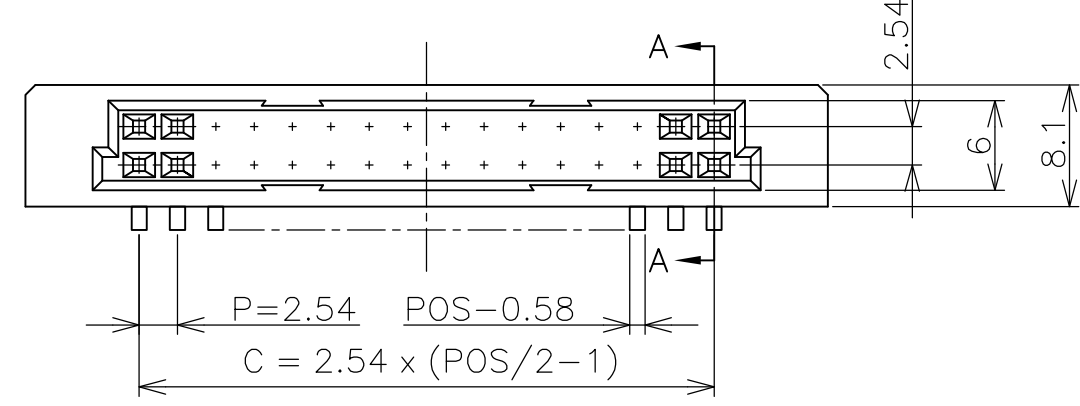
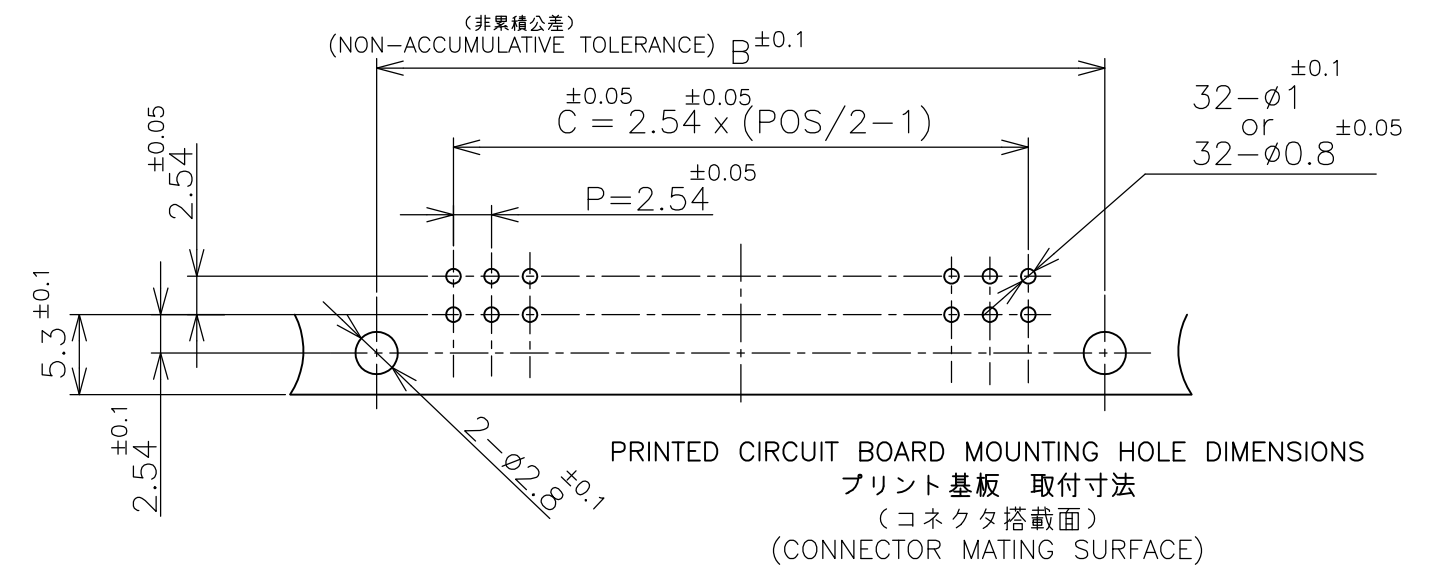
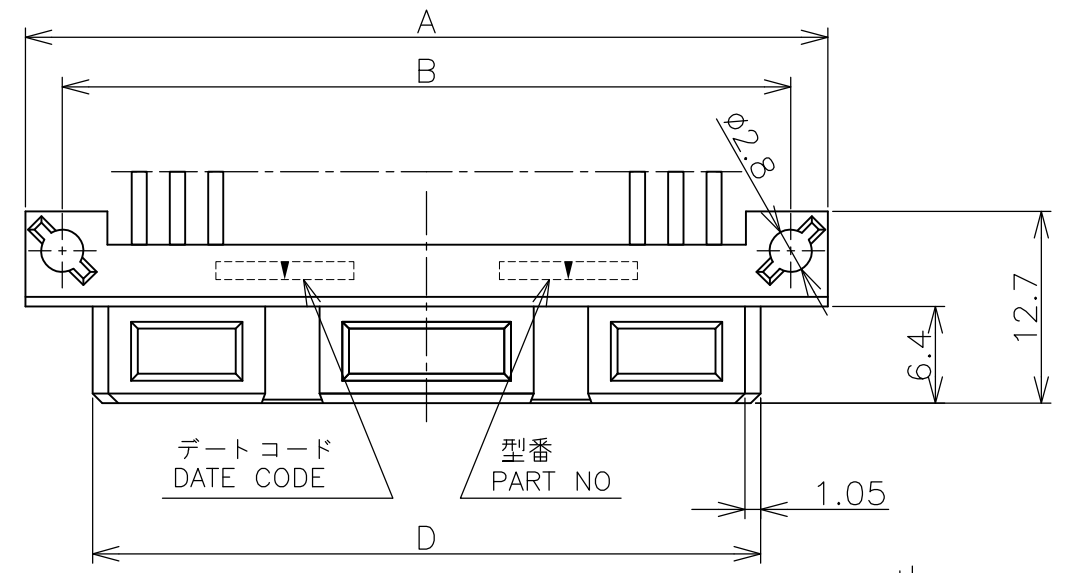
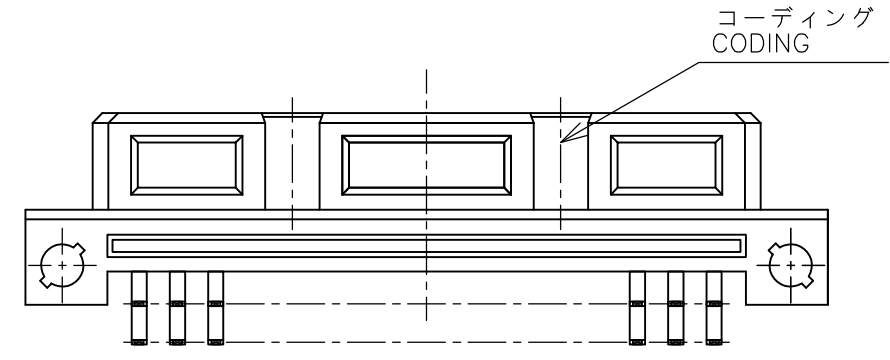


THIS DRAWING IS UNPUBLISHED. RELEASED FOR PUBLICATION NOV, 2004.
 © COPYRIGHT 2004 BY TYCO ELECTRONICS CORPORATION. ALL RIGHTS RESERVED.

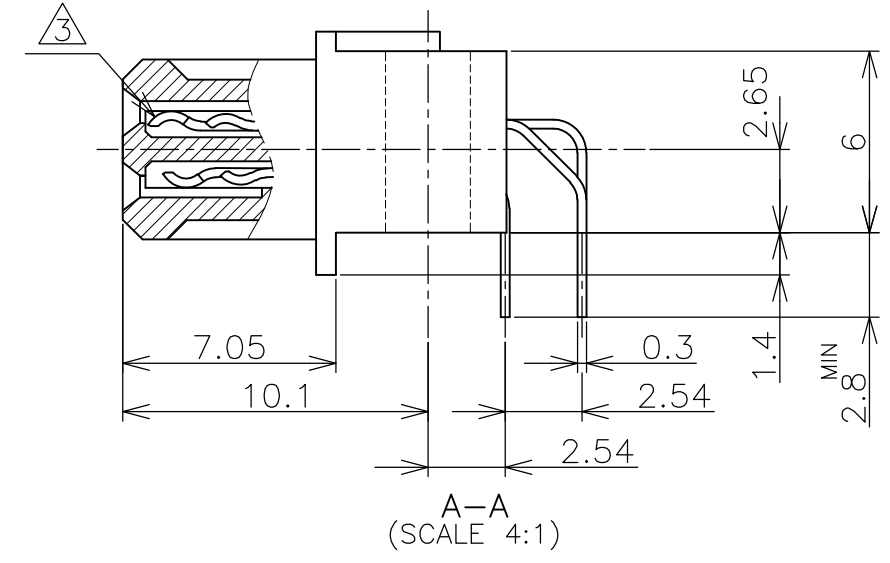
LOC	DIST	REVISIONS			DATE	DWN	APVD
		P	LTR	DESCRIPTION			
J		A	REVISED	ECR-08-020578	18NOV08	T.T	T.F



- 材料 : コンタクト: 燐青銅
ハウジング: 熱可塑性ポリエステル樹脂、灰色
 - 表面仕上げ (コンタクト)
- | | | | |
|-------|------|-------------------|------|
| 下地めっき | タイン部 | コンタクト接触部 | その他 |
| ニッケル | 錫めっき | 金めっき (0.2 μ) | 封孔処理 |
- グランドコンタクト : b 列 NO.1, 32 に配置 (2箇所) - 64極 (P/N 5174253-2)
: b 列 NO.1, 16 及び 5b に配列 (3箇所) - 32極 (5174253-3)
P/N 5174253-1 32極 b 列 NO.1, 16 にグランド配列 (2箇所)
緒寸法は -3 と同様
P/N 5174253-4 64極 b 列 NO.1, 32 及び 2b, 31b にグランド配列 (4箇所)
緒寸法は -2 と同様



- MATERIAL : CONTACT: PHOSPHOR BRONZE
HOUSING: THERMOPLASTIC POLYESTER RESIN, GRAY
 - FINISH (CONTACT)
- | | | | |
|-------------|-----------|------------------|-----------------|
| UNDER PLATE | TINE AREA | CONTACT AREA | REMAINDER AREA |
| NICKEL | TIN | GOLD(0.2 μ) | PORPSITY SEALED |
- GROUNDING CONTACTS : ON NO.1 & NO.32(2 PL) IN ROW b FOR 64-POS. (P/N 5174253-2)
ON NO.1 & NO.16 AND NO.5b(3 PL) FOR 32-POS. (P/N 5174253-3)
GROUNDING CONTACTS : ON NO.1 & NO.16(2 PL) IN b ROW FOR 32-POS. (P/N 5174253-1)
DIMENSIONS TYPICAL TO -3.
GROUNDING CONTACTS : ON NO.1 & NO.32 AND NO.2b, 31b(4 PL) (P/N 5174253-4)
DIMENSIONS TYPICAL TO -2.



	-2, -4	64	93.8	88.9	78.74	84.9	6, 13, 20, 27
	5174253-1, -3	32	53.1	48.24	38.1	44.2	4.12
PART NO.	POS	A	B	C	D	CODING LOCATIONS	

THIS DRAWING IS A CONTROLLED DOCUMENT.		DWN T.KIMURA 30NOV04	Tyco Electronics Corporation Kawasaki, Japan			
DIMENSIONS: 単位: 耗 mm		CHK K.IKEGAMI 30NOV04	NAME 名称 DR DIN CONN. FEMALE ASSY WITH GROUND			
TOLERANCES UNLESS OTHERWISE SPECIFIED: 一般公差		APVD K.IKEGAMI 30NOV04	PRODUCT SPEC 製品規格			
0 PLC ± 0.2 1 PLC ± 0.2 2 PLC ± 0.2 3 PLC ± 0.2 4 PLC ± 0.2 ANGLES ± 3'		APPLICATION SPEC 取付適用規格				
MATERIAL 材料 SEE NOTE	FINISH 仕上 SEE NOTE	WEIGHT	SIZE A3	CAGE CODE 00779	DRAWING NO 番号 G-5174253	RESTRICTED TO
CUSTOMER DRAWING			SCALE 尺度 2:1	SHEET 1 OF 1	REV A	