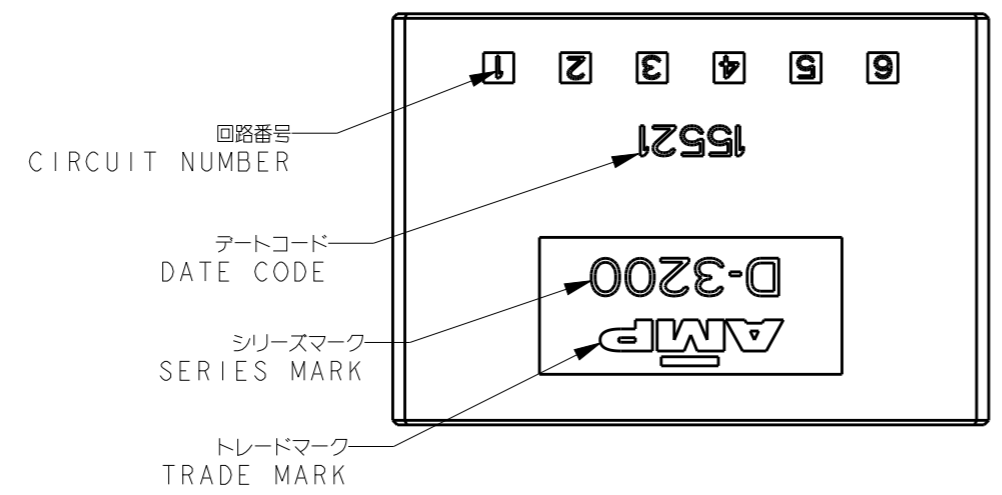


THIS DRAWING IS UNPUBLISHED. RELEASED FOR PUBLICATION 20  
 © COPYRIGHT 20 BY - ALL RIGHTS RESERVED.

REVISIONS				
P	LTR	DESCRIPTION	DATE	APVD
	A	RELEASED	05SEP2016	Y.O
	AI	ADD NEW PART NUMBER. ECR-17-004498	27MAR2017	Y.O

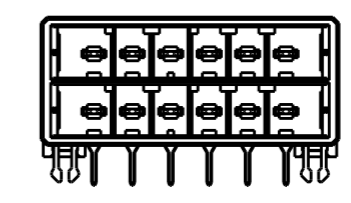
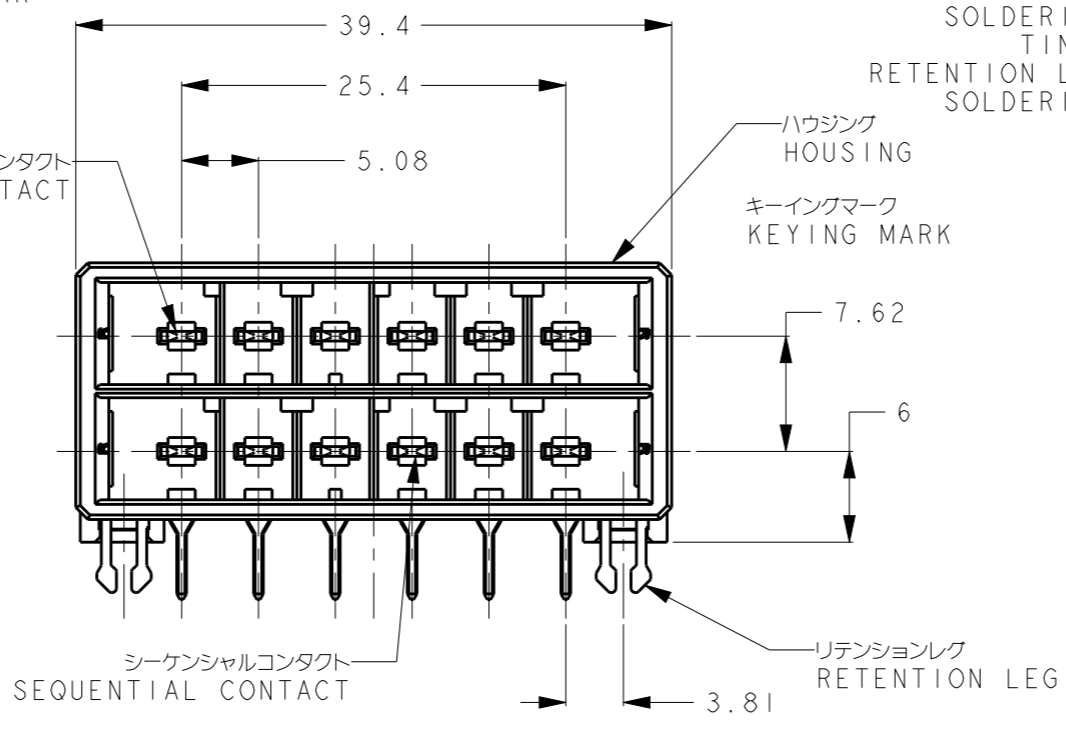
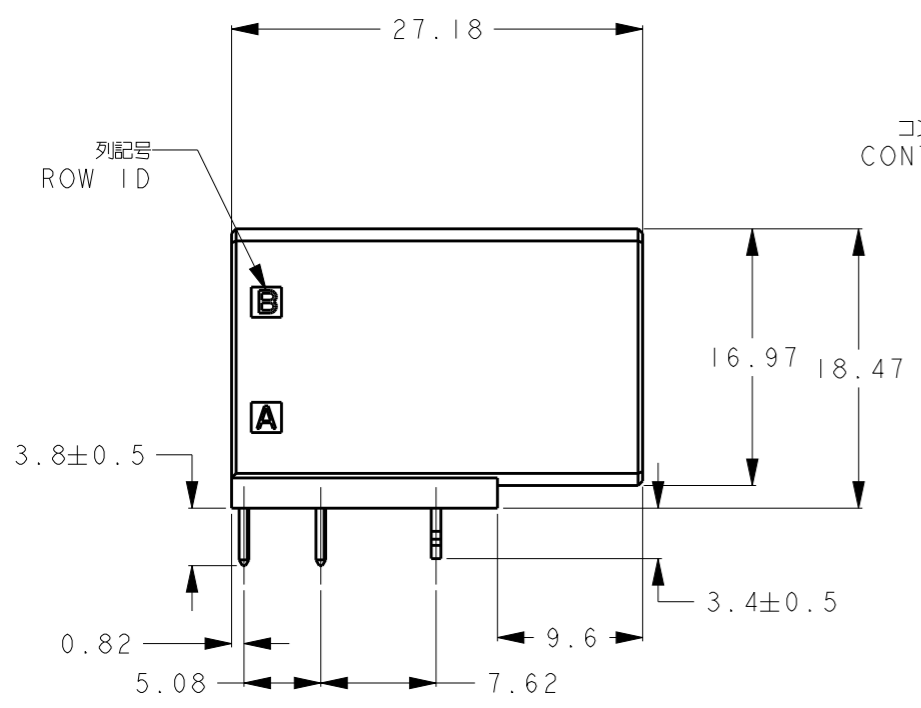


1. MATERIAL  
 HOUSING: THERMO PLASTIC POLYESTER  
 COLOR: BLACK  
 CONTACT: COPPER ALLOY  
 RETENTION LEG: COPPER ALLOY

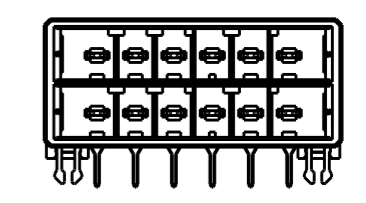
2. FINISH  
 CONTACT: Ni UNDER-PLATING ALLOVER  
 CONTACT AREA: GOLD PLATING OVER Ni PLATING  
 0.38um MIN  
 SOLDERING AREA (CONTACT TAIL): TIN PLATING  
 RETENTION LEG: Ni UNDER-PLATING ALLOVER  
 SOLDERING AREA: TIN PLATING

1. 材料  
 ハウジング: 熱可塑性ポリエステル 色: 黒色  
 コンタクト: 銅合金  
 リテンションレグ: 銅合金

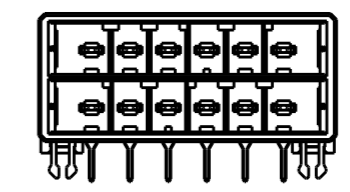
2. 仕上げ  
 コンタクト: 全面Ni下地  
 接点部: 0.38um MIN金めっき  
 半田付け部: 錫めっき  
 リテンションレグ: 全面Ni下地  
 半田付け部: 錫めっき



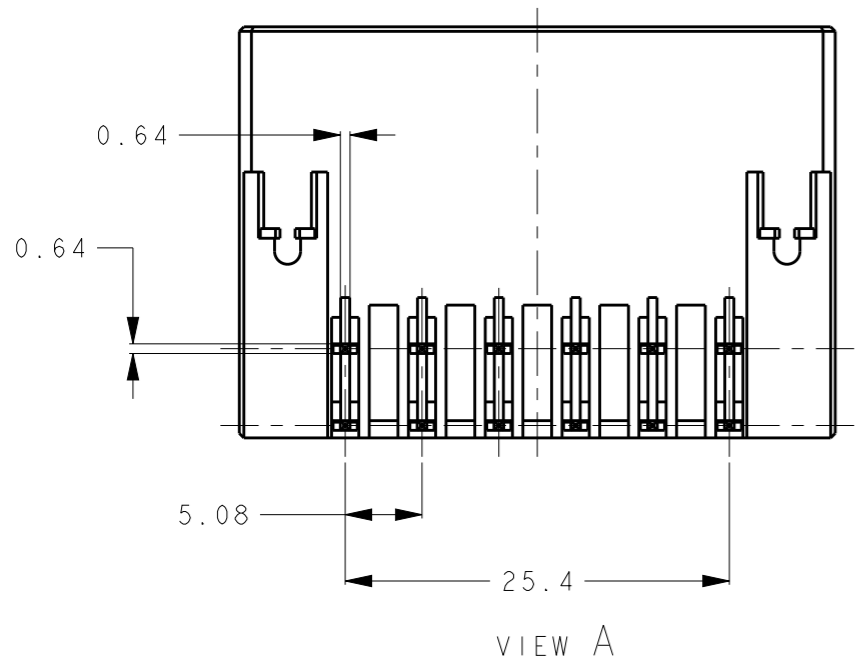
スケール 1:1  
 SCALE 1:1  
 RR-KEYING  
 1-2299005-1



スケール 1:1  
 SCALE 1:1  
 SS-KEYING  
 2-2299005-1



スケール 1:1  
 SCALE 1:1  
 RS-KEYING  
 3-2299005-1



A	4	2	RS	3-2299005-1
A	4	2	SS	2-2299005-1
A	4	2	RR	1-2299005-1
列記号 ROW ID	回路番号 CIRCUIT NUMBER	仕上げ FINISH	キーイング KEYING	型番 PART NUMBER
シーケンシャルコンタクト位置 POSITION OF SEQUENTIAL CONTACT				

DIMENSIONS: 単位: 耗 mm		TOLERANCES UNLESS OTHERWISE SPECIFIED:	
		一般公差	±0.4
		0 PLC	±0.5
		1 PLC	±0.1
		2 PLC	±0.01
		3 PLC	±0.005
		4 PLC	±
		ANGLES	±3°
MATERIAL 材料	FINISH 仕上	SEE TABLE	
SEE NOTE		SEE TABLE	

THIS DRAWING IS A CONTROLLED DOCUMENT.				DWN Y. OKADA 12APR2016		CHK E. TAKEMASA 13APR2016		APVD N. YAMASAKI 13APR2016	
CUSTOMER DRAWING				PRODUCT SPEC 108-5349		APPLICATION SPEC 取付適用規格		WEIGHT -	
SCALE 尺度 2:1				SIZE A3		CAGE CODE -		DRAWING NO 番号 C-2299005	
SHEET 1 OF 2				RESTRICTED TO -		REV AI		TE Connectivity	

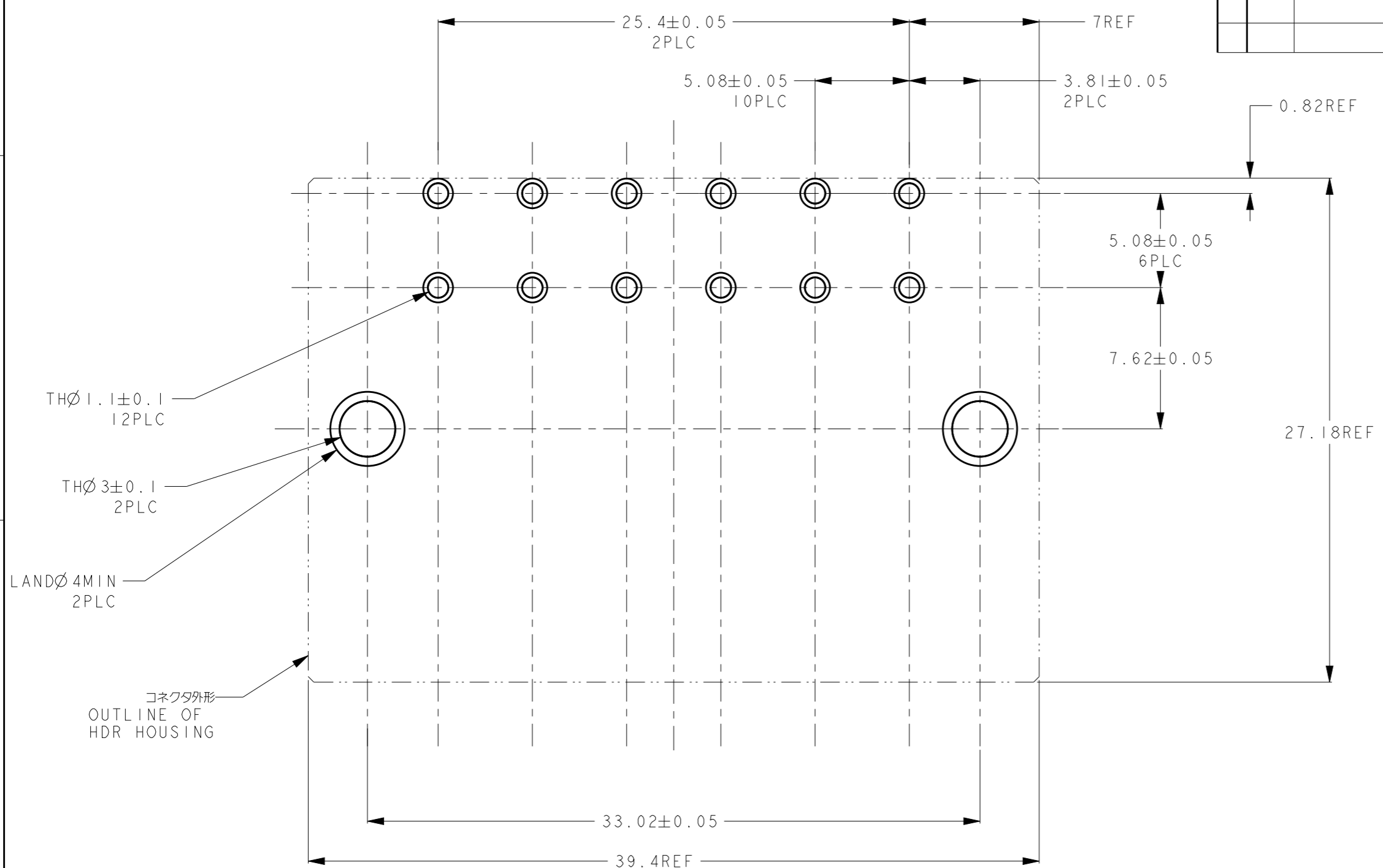


NAME 名称: HEADER HOUSING, 12POSN, DOUBLE ROW, HORIZONTAL, DYNAMIC 3200M

THIS DRAWING IS UNPUBLISHED. RELEASED FOR PUBLICATION 20  
 © COPYRIGHT 20 BY - ALL RIGHTS RESERVED.

REVISIONS  
変更

P	LTR	DESCRIPTION	DATE	DWN	APVD
-	-	SEE SHEET 1	-	-	-




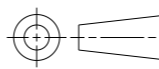
THØ 1.1±0.1  
12PLC

THØ 3±0.1  
2PLC

LANDØ 4MIN  
2PLC

コネクタ外形  
 OUTLINE OF  
 HDR HOUSING

推奨基板レイアウト 板厚: 1.6±0.1  
 RECOMENDED PCB LAYOUT  
 THICKNESS: 1.6±0.1

THIS DRAWING IS A CONTROLLED DOCUMENT.		DWN Y. OKADA 12APR2016	 TE Connectivity		
DIMENSIONS: 単位: 概 mm		CHK E. TAKEMASA 13APR2016			
		APVD N. YAMASAKI 13APR2016			
TOLERANCES UNLESS OTHERWISE SPECIFIED: 一般公差 ±0.4		PRODUCT SPEC 108-5349	NAME 名称 HEADER HOUSING, 12POSN, DOUBLE ROW, HORIZONTAL, DYNAMIC 3200M		
MATERIAL 材料 SEE NOTE		APPLICATION SPEC 取付適用規格 -	SIZE A3	CAGE CODE -	DRAWING NO 番号 C=2299005
FINISH 仕上 SEE TABLE		WEIGHT -	RESTRICTED TO -		
CUSTOMER DRAWING		SCALE 尺度 2:1	SHEET 2 OF 2	REV A1	