

### Features

- Low Loss
- Excellent Return Loss
- High Rejection

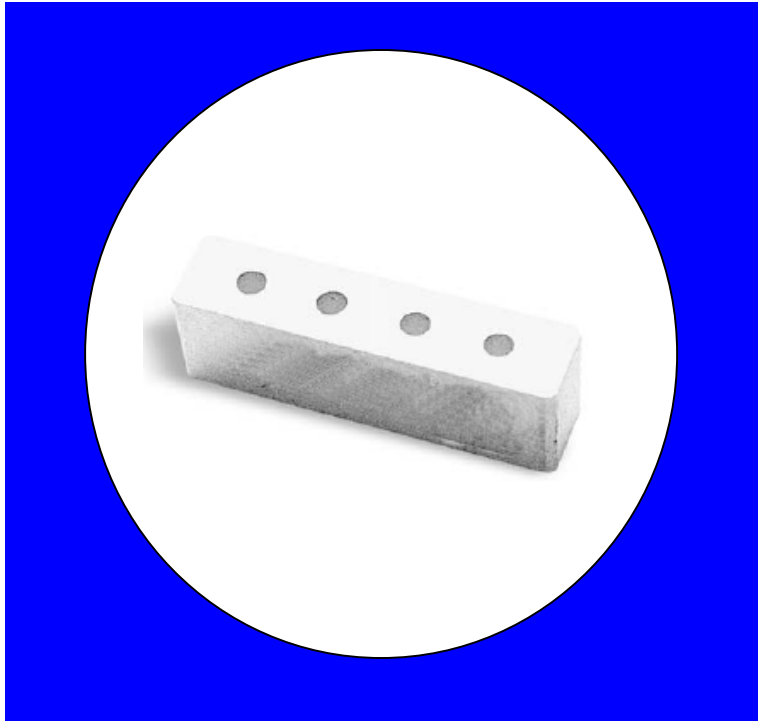
### Description

Rugged Mount, Silver (Ag) coated ceramic filter. Developed for use in TCAS applications.

Weight: 11.5 grams typical

Material: Filter is composed of a ceramic block plated with Ag.

Filter complies with RoHS standards.



### Electrical Specifications

Parameter	Frequency (MHz)	Typical @ 25°C	Spec. @ 25°C
Passband Insertion Loss	1027-1033	1.4 dB	1.7 dB max
Passband Return Loss	1027-1033	16.0 dB	12.0 dB min
Attenuation	1005	20.0 dB	15.0 dB min
	1055	21.0 dB	18.0 dB min
	1090	48.0 dB	40.0 dB min

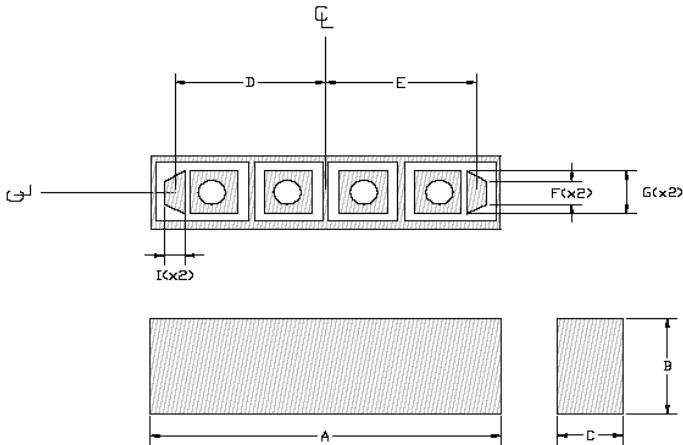
Note: Supplier shall test each filter to the critical electrical specifications of the above table. Any subsequent audits may deviate from in value due to measurement repeatability among different test systems. Such deviations shall not exceed the following limits:

Specification Allowance	
Insertion Loss	0.1 dB
Return Loss	1.0 dB
Stopbands	1.0 dB

\*This product is covered by one or more of the following U.S. and foreign patents including: US 4,692,726;US 4,742,562; US 4,800,348;US 4,829,274;US 5,146,193;EP 0573597;DE 0573597;FR 0573597;JP 508149/92;KR 142171;US 5,162,760;US 5,218,329;US 5,250,916;US 5,327,109;US 5,488,335;CA 2114029;FR 9306297;GB 2273393;JP 3205337;KR 115113;CN 93106228.4;US 5,512,866;EP 0706719;DE 0706719;FR 0706719;GB 0706719;CN 95190359.4;US 5,602,518;US 5,721,520;US 5,745,018;EP 0910875;DE 0910875;DK 0910875;FR 0910875;GB 0910875;IE 0910875;JP 505182/98;KR 10-323013;US 5,994,978;US 6,462,629;CN 00810420.4;US 6,559,735;US 6,650,202;US 6,834,429. Other US and foreign patents pending.

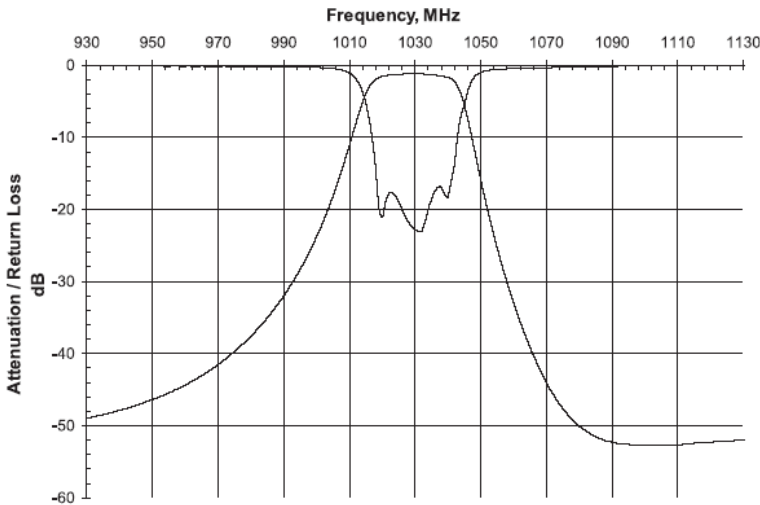
\*CTS Corporation 2006 reserves all copyrights in the layout, design and configuration of the patterns on this product.\*

## Mechanical Drawing

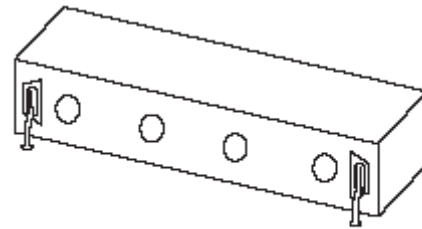


Dim	Nominal (mm)	Tolerance (mm) +/- or max
A	33.580	max
B	10.744	max
C	7.85	max
D	14.351	0.127
E	14.351	0.127
F	2.515	0.127
G	4.521	0.127
I	1.88	0.127

## Electrical response



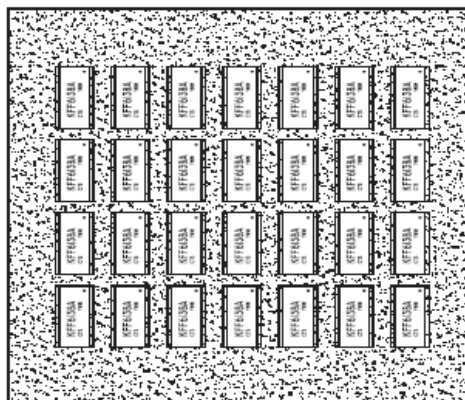
## PCB Layout



NOTE: Recommended to connect I/O pads using wire leads

## Packaging and Marking

This product is shipped in pre-formed foam trays.



10 28 Slot Foam Trays  
 (280 max. per box)