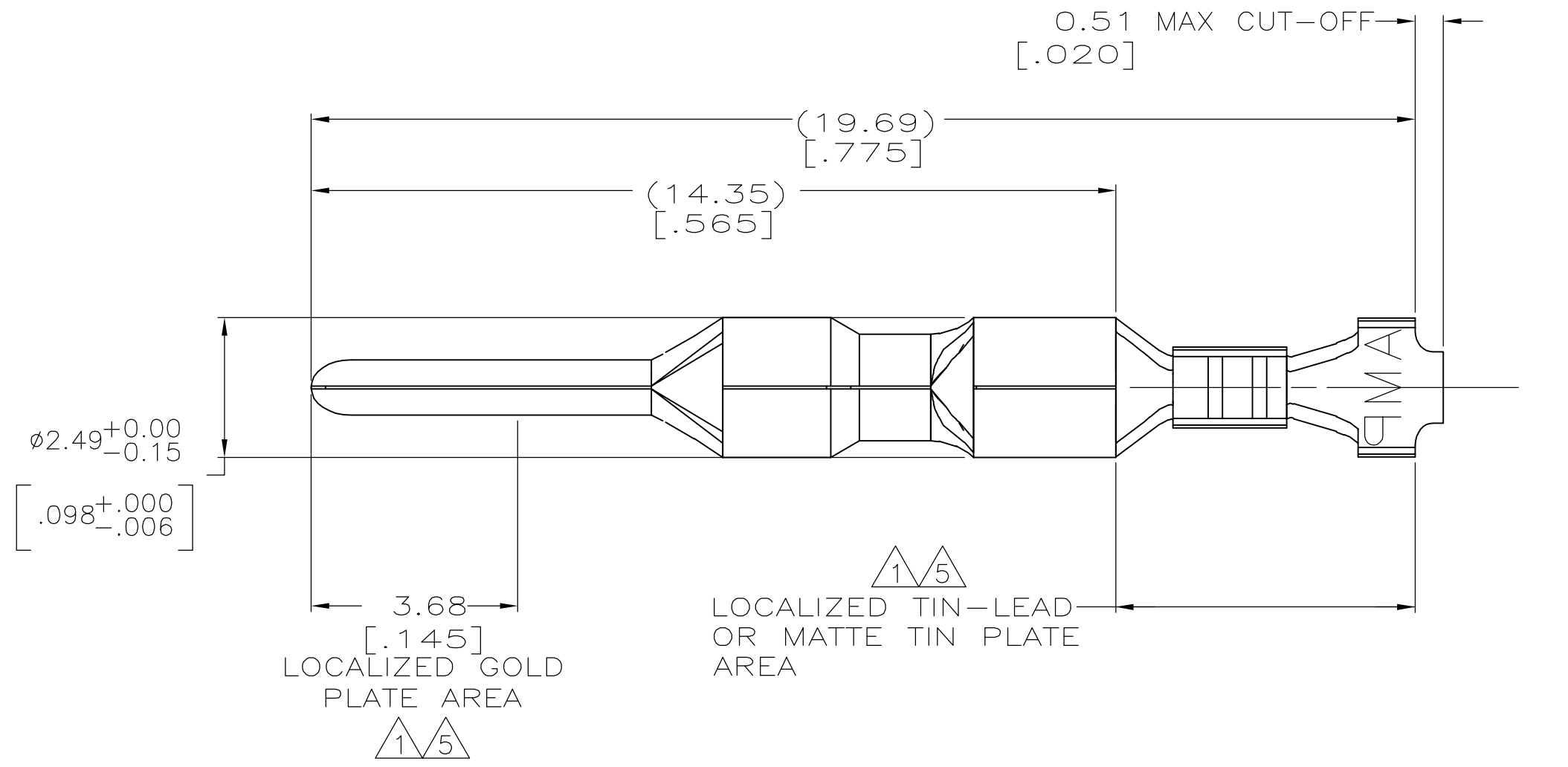
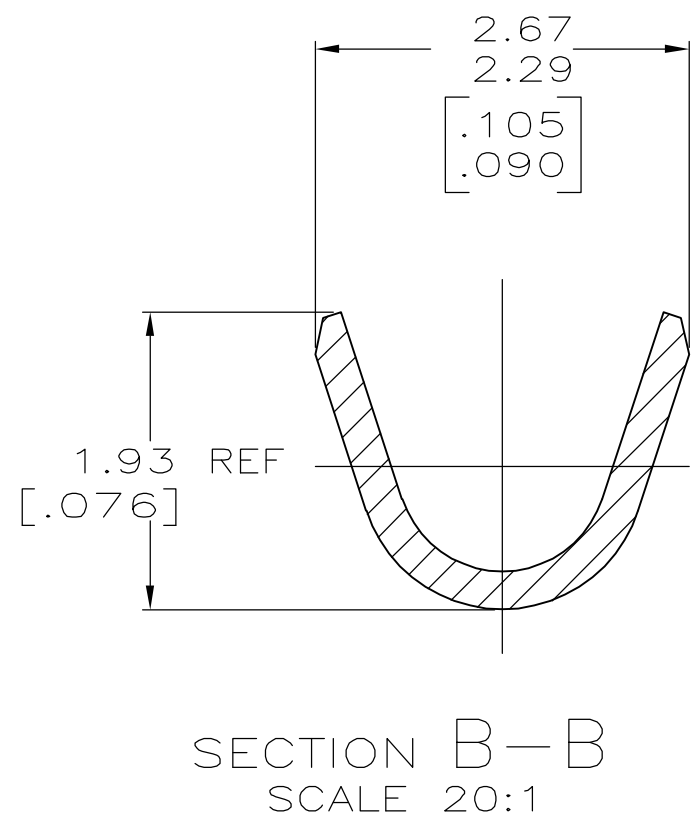
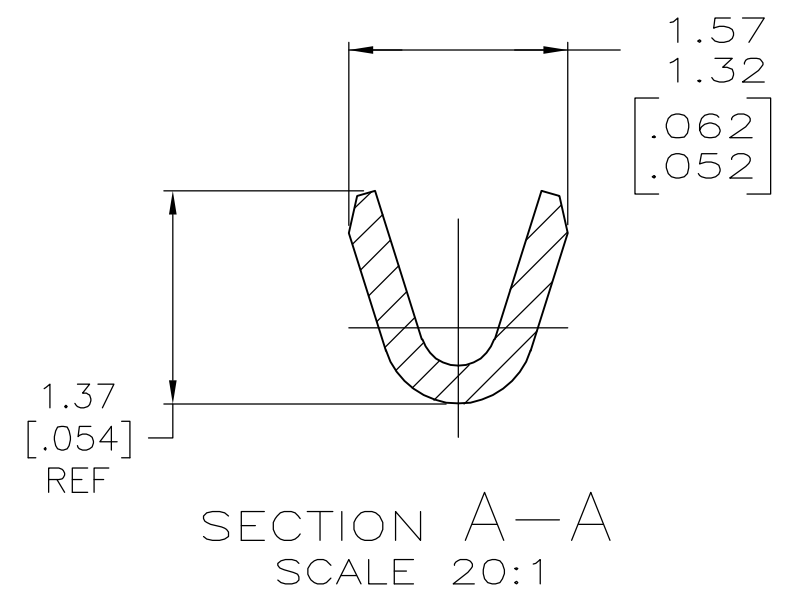
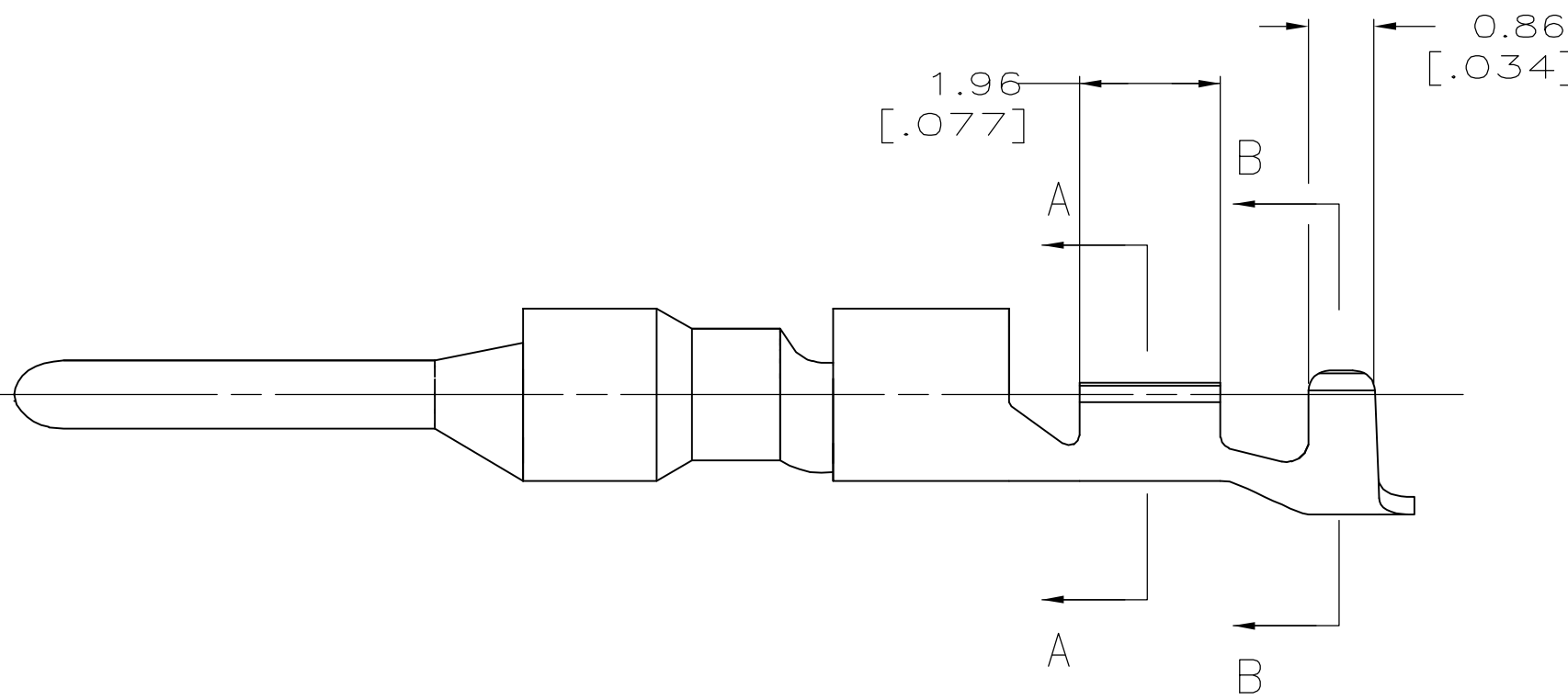


THIS DRAWING IS UNPUBLISHED. RELEASED FOR PUBLICATION
 © COPYRIGHT BY TYCO ELECTRONICS CORPORATION. ALL RIGHTS RESERVED.

LOC	DIST	REVISIONS					
CM	0	P	LTR	DESCRIPTION	DATE	DWN	APVD
		D		REVISED PER 0G3B-0237-05	9/20/05	SS	CJ



- 1. 0.00076 [0.000030] MIN GOLD IN LOCALIZED GOLD PLATE AREA AND 0.00254 [0.000100] MIN BRIGHT TIN-LEAD IN LOCALIZED TIN-LEAD PLATE AREA OVER 0.0013 [0.000050] MIN NICKEL.
- 2. WIRE RANGE: 0.05 - 0.15MM² (30-26 AWG).
- 3. INSULATION RANGE: 0.89-1.27[0.035-.050] DIA.
- 4. DIMENSIONS IN BRACKETS ARE IN INCHES.
- 5. 0.00076 [0.000030] MIN GOLD IN LOCALIZED GOLD PLATE AREA AND 0.00254 [0.000100] MIN MATTE TIN IN LOCALIZED TIN PLATE AREA OVER 0.0013 [0.000050] MIN NICKEL.



5	0.25[.010] BRASS	1-794224-0
1	0.25[.010] BRASS	794224-3
PRE-TIN	0.25[.010] BRASS	794224-1
MATERIAL	MATERIAL	PART NUMBER

THIS DRAWING IS A CONTROLLED DOCUMENT.		DWN R. VESTAL 1-15-97	Tyco Electronics Corporation Harrisburg, PA 17105-3608	
DIMENSIONS: mm [INCHES]		CHK R. SWING 1-15-97		
TOLERANCES UNLESS OTHERWISE SPECIFIED:		APVD -	NAME PIN, LOOSE PIECE, MINI UNIVERSAL MATE-N-LOK 2	
0 PLC ± -		PRODUCT SPEC -	SIZE A2	
1 PLC ± -		APPLICATION SPEC -	CAGE CODE 00779	DRAWING NO C=794224
2 PLC ± -		WEIGHT -	RESTRICTED TO -	SCALE 10:1
3 PLC ± 0.15 [0.006]		CUSTOMER DRAWING	SHEET 1 of 1	REV D
4 PLC ± -				
ANGLES ± -				
FINISH SEE TABLE				

794224