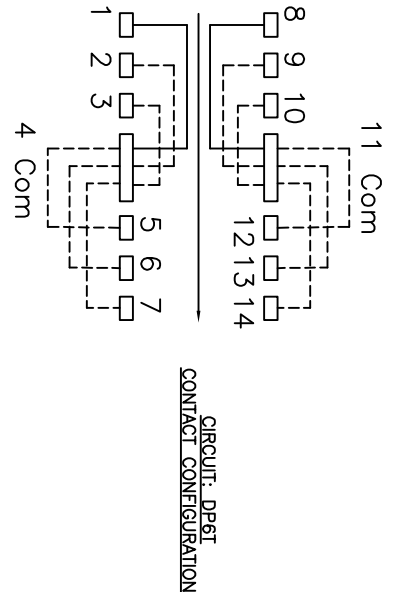
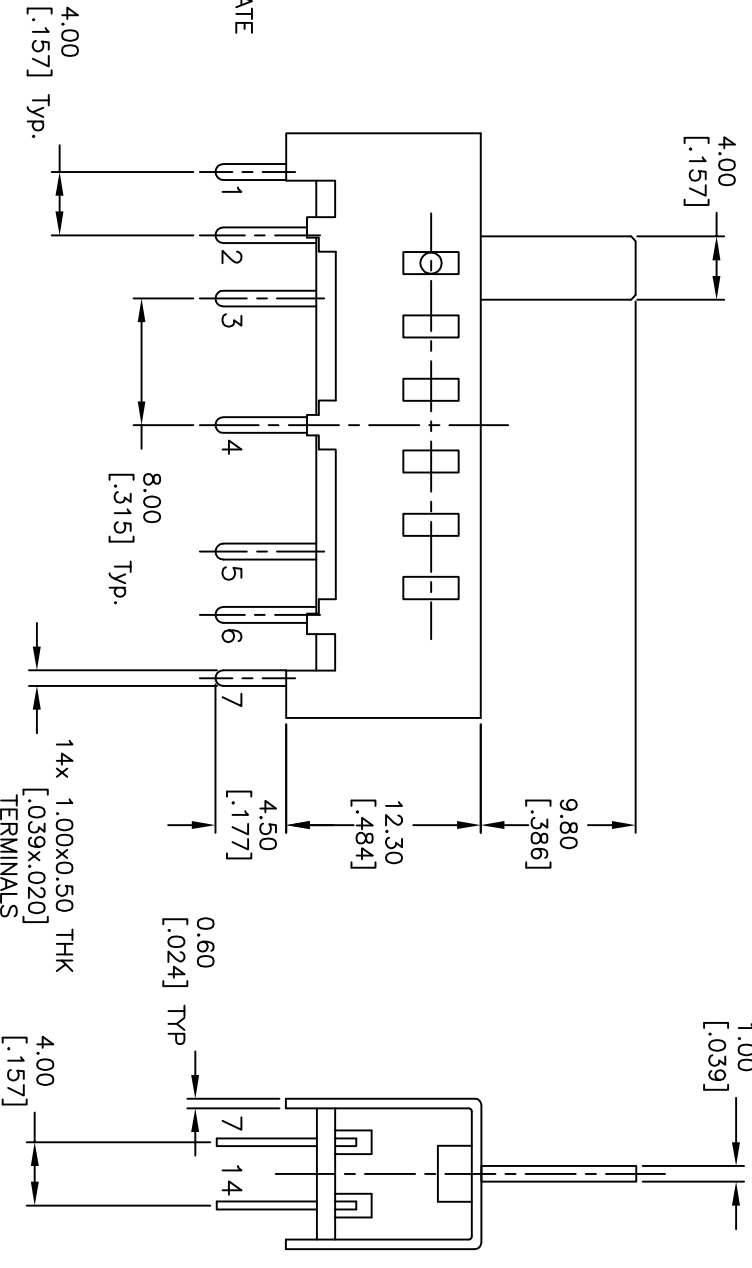
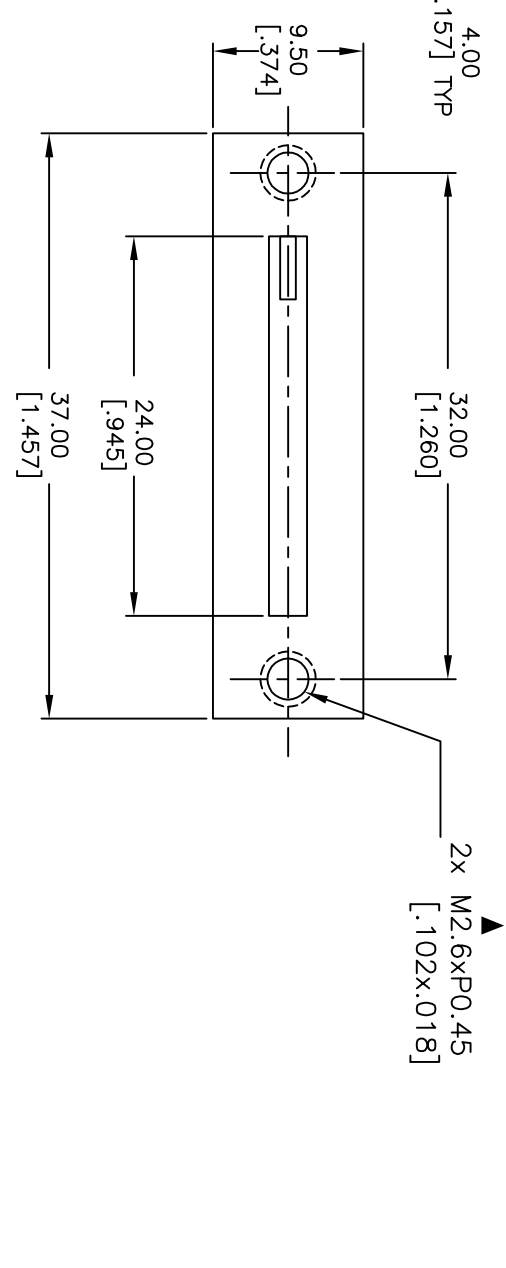


RECOMMENDED P.C.B. LAYOUT



- NOTES:
1. ALL DIMENSIONS IN MM [INCH]
 2. GENERAL TOLERANCE: X.X=±0.4 X.XX=±0.25
 3. TERM. NOS. FOR REFERENCE ONLY.
 4. RATING: 0.3A @30V DC
 5. CONTACT MATERIAL: COPPER ALLOY W/ SILVER PLATE
 6. CONTACT RESISTANCE: >20mW (INITIAL)
 7. DIELECTRIC STRENGTH: 500V AC FOR 1 MIN
 8. OPERATING LIFE: 10,000 CYCLES MIN
 9. OPERATING FORCE: 300 ±100gf
 10. TRAVEL: 4mm
 11. ▲DENOTES CRITICAL PARAMETER.
 12. OPERATING TEMP: -20°C TO +70°C
 13. TIMING: NON-SPECIFIED
 14. 2002/95/EC (ROHS) COMPLIANT



ADD TIMING NOTE		1/20/09	BLR	TITLE		EG 2601A		E SWITCH	
RELEASED FOR PRODUCTION		10/25/01	CJC	SCALE		2:1		DR	
DESCRIPTION		DATE	CHKD	DATE		1/20/09		BLR	
REV. ECN NO.				DWG		P040287		REV	
								B	

THE INFORMATION CONTAINED IN THIS DOCUMENT IS PROPRIETARY TO E-SWITCH AND IS NOT TO BE COPIED OR TRANSFERRED