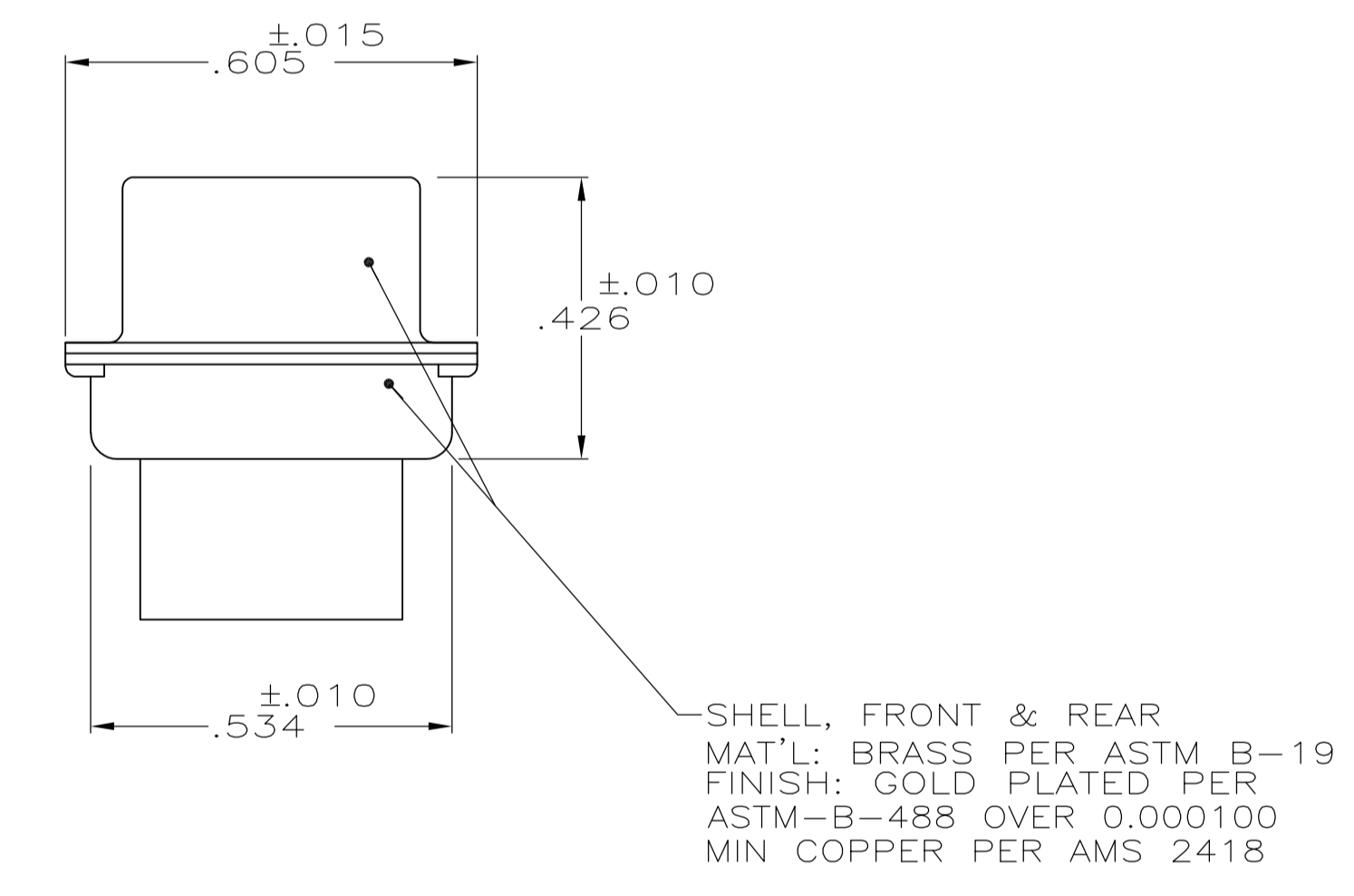
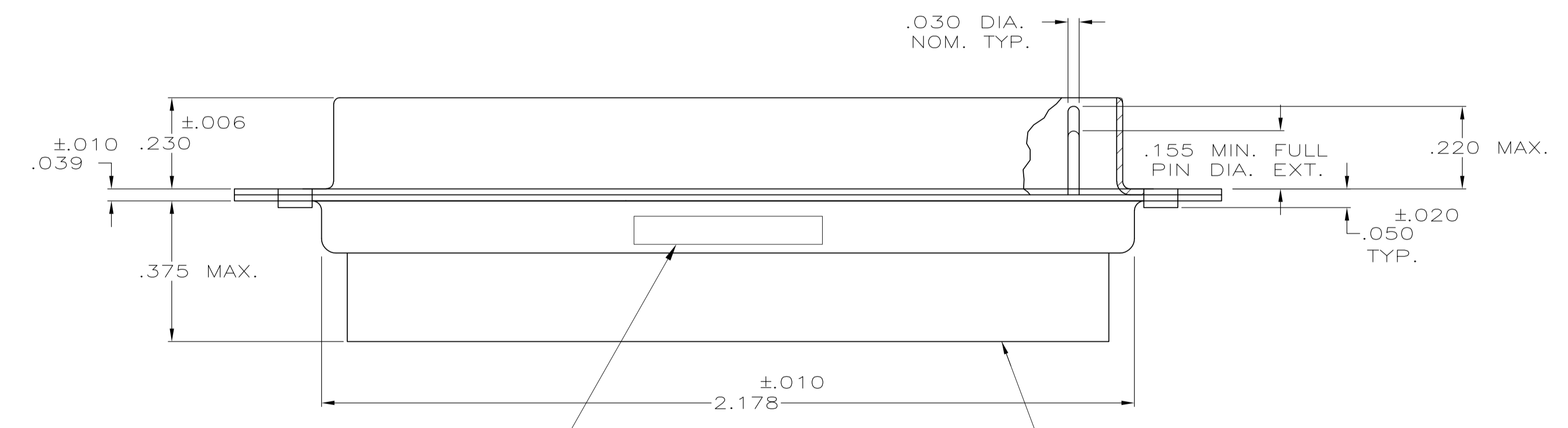


1. THIS PLUG WILL MATE WITH ANY SIZE 5,78 POSN.. RCPT. IN AMPLIMITE SERIES.
 2. CONNECTOR SUPPLIED WITHOUT CONTACTS; SHOWN FOR ILLUSTRATION ONLY.
 3. BE-CU RETENTION CLIPS ARE INCLUDED IN INSERTS AND INSTALLED WITH TINES POINTING TOWARDS MATING FACE.
 4. OVERALL DIMENSIONS DO NOT INCLUDE RAISED CAVITY IDENTIFICATION.
 5. MARKING FAR SIDE REFERS TO WIDE SIDE OF KEYSTONE. NEAR SIDE REFERS TO NARROW SIDE OF KEYSTONE.
- ⚠ 100% INSPECTION REQUIRED PER BOEING 1B01:
 A. VISUAL
 B. DWV
 C. IR
7. CUSTOMER REQUIRES SINGLE LOT DATE CODE.



CUSTOMER P/N (IF APPLICABLE) MARKED ON FAR SIDE. MANUFACTURER'S NAME, BRAND NAME OR LOGO AND MANUFACTURER'S PART NO AND DATE CODE MARKED ON NEAR SIDE

INSERT ASSEMBLY
 MAT'L: DIALYL PHTHALATE PER MIL-M-14, CLASS SDG-F
 COLOR: BLUE
 OR POLYPHENYLENE SULFIDE (PPS) PER MIL-M-24519, TYPE GST-40F.

⚠	1B01 - 011PHW	1-211653-1
⚠	1B01 - 011	211653-1
REMARKS	CUSTOMER MARKING	PART NO.

THIS DRAWING IS A CONTROLLED DOCUMENT.		DWN: D. ERDMAN 3/26/84	Tyco Electronics Corporation	
DIMENSIONS: INCHES		CHK: B. YOHN 4-26-84	Harrisburg, PA 17105-3608	
TOLERANCES UNLESS OTHERWISE SPECIFIED:		APVD: J. BROSCARD 6-29-84	NAME: Tyco Electronics	
0 PLC ± -	1 PLC ± -	PRODUCT SPEC: PLUG ASS'Y, AMPLIMITE.		
2 PLC ± -	3 PLC ± .005	APPLICATION SPEC: 78 POSN., SIZE 5, SERIES 90		
4 PLC ± -	ANGLES ± 0'30"	NON-MAGNETIC		
MATERIAL: SEE CALLOUT	FINISH: SEE CALLOUT	SIZE: A1	CAGE CODE: 00779	DRAWING NO: 211653
CUSTOMER DRAWING		RESTRICTED TO: -	SCALE: NTS	SHEET: 1 OF 1