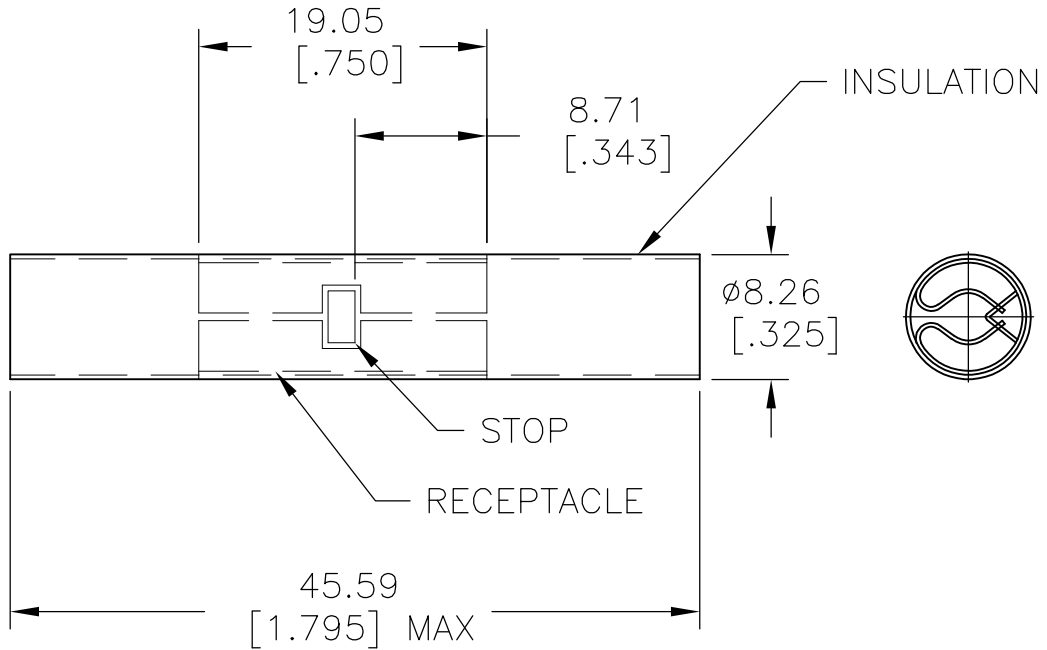


LOC G	DIST 14	REVISIONS			
P	LTR	DESCRIPTION	DATE	DWN	APVD
	B1	REDRAWN PER ECR-09-004940	06MAR09	HMR	JR



RELEASED FOR PUBLICATION

ALL INTERNATIONAL RIGHTS RESERVED.

BY TYCO ELECTRONICS CORPORATION.

THIS DRAWING IS UNPUBLISHED.

© COPYRIGHT

50	RECEPTACLE: BRASS(MIL-C-50) TIN PL(ASTM-B545)	LOOSE PC, BOX	8-36840-2
1	INSULATION: PVC, COLOR: RED	RECEPTACLE ASSY	36840
QTY	MATERIAL AND FINISH	DESCRIPTION	PART NO.

DIMENSIONS: mm [INCHES]	DWN RAGHAVENDRA 06MAR09	MATERIAL SEE TABLE	FINISH SEE TABLE
	CHK JEFF RUTH 06MAR09	Tyco Electronics Corporation Harrisburg, PA 17105-3608	
TOLERANCES UNLESS OTHERWISE SPECIFIED:	APVD TOM MICHIELUTTI 06MAR09		
0 PLC ± -	PRODUCT SPEC -	SIZE A4	CAGE CODE 00779
1 PLC ± -	APPLICATION SPEC -	DRAWING NO C-36840	RESTRICTED TO -
2 PLC ± -			
3 PLC ± 0.20[.008]			
4 PLC ± -			
ANGLES ± 5°	WEIGHT -		
	CUSTOMER DRAWING		SCALE 2:1
			SHEET 1 OF 1
			REV B1