

THIS DRAWING IS UNPUBLISHED. RELEASED FOR PUBLICATION 20
 © COPYRIGHT 20 BY TYCO ELECTRONICS CORPORATION. ALL RIGHTS RESERVED.

LOC		DIST		REVISIONS			
P	LTR	DESCRIPTION	DATE	DWN	APVD		
-	-	A	REVISED PER ECO-09-009008	08APR2009	SS	MS	

- 1. CONNECTOR MAY BE FRONT OR REAR MOUNTED TO A MAXIMUM PANEL THICKNESS OF 3.2 mm.
- 2. PANEL NUT AND PANEL GASKET ARE PACKAGED UNASSEMBLED IN POLYBAG.

USB COUPLER MATERIAL:
 HOUSING-THERMOPLASTIC
 CONTACTS-PHOSPHOR BRONZE
 SHIELD-COPPER ALLOY
 FINISH:
 CONTACTS-GOLD OVER NICKEL
 SHIELD-TIN OVER NICKEL

PANEL GASKET MATERIAL: ELASTOMER
 COLOR: BLACK

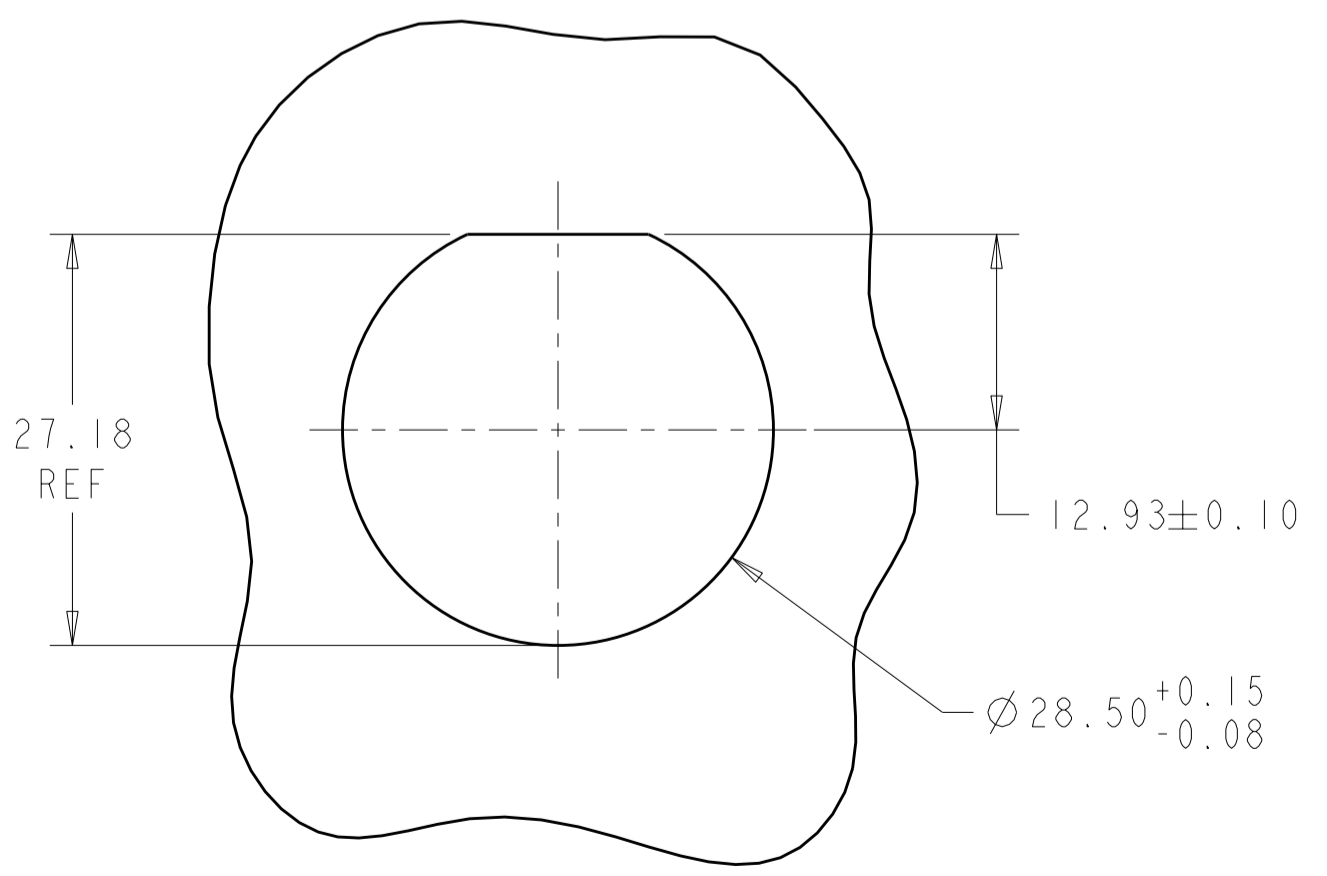
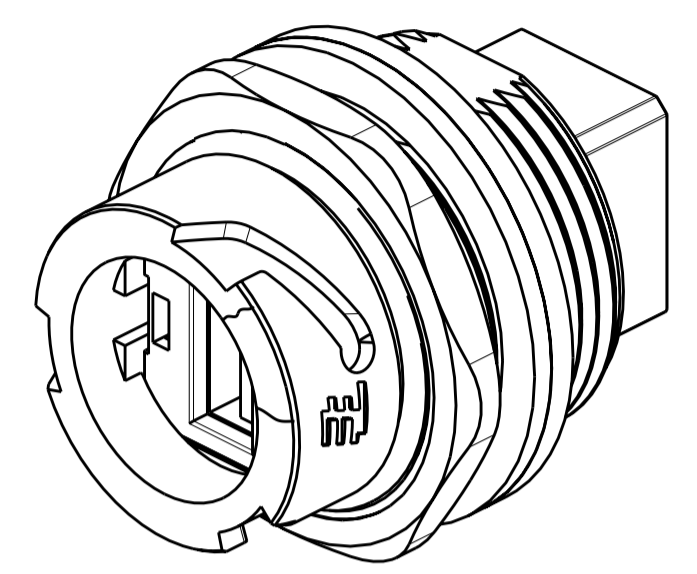
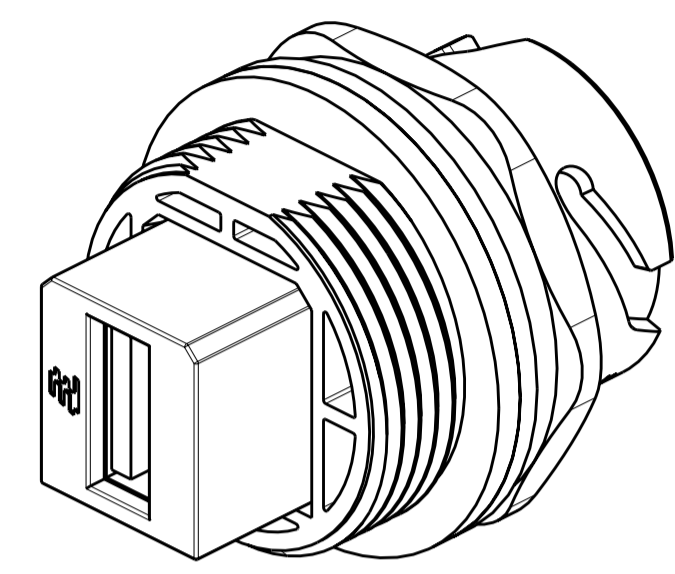
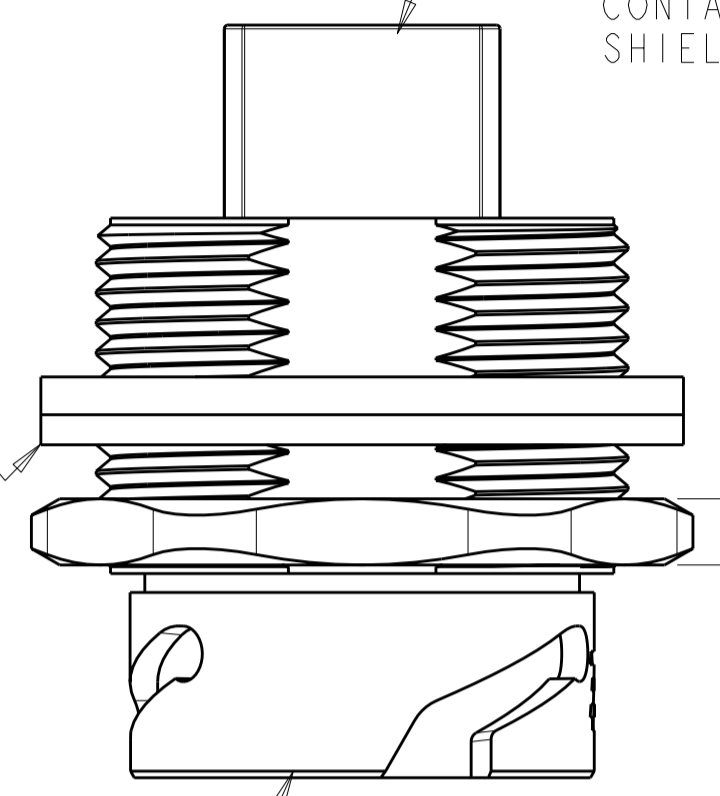
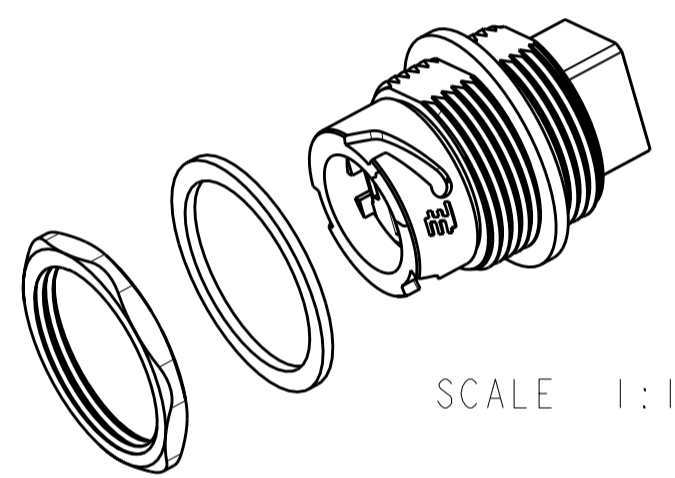
3.50 PANEL NUT MATERIAL: BRASS
 FINISH: NICKEL

RECEPTACLE HOUSING MATERIAL: POLYESTER
 COLOR: BLACK

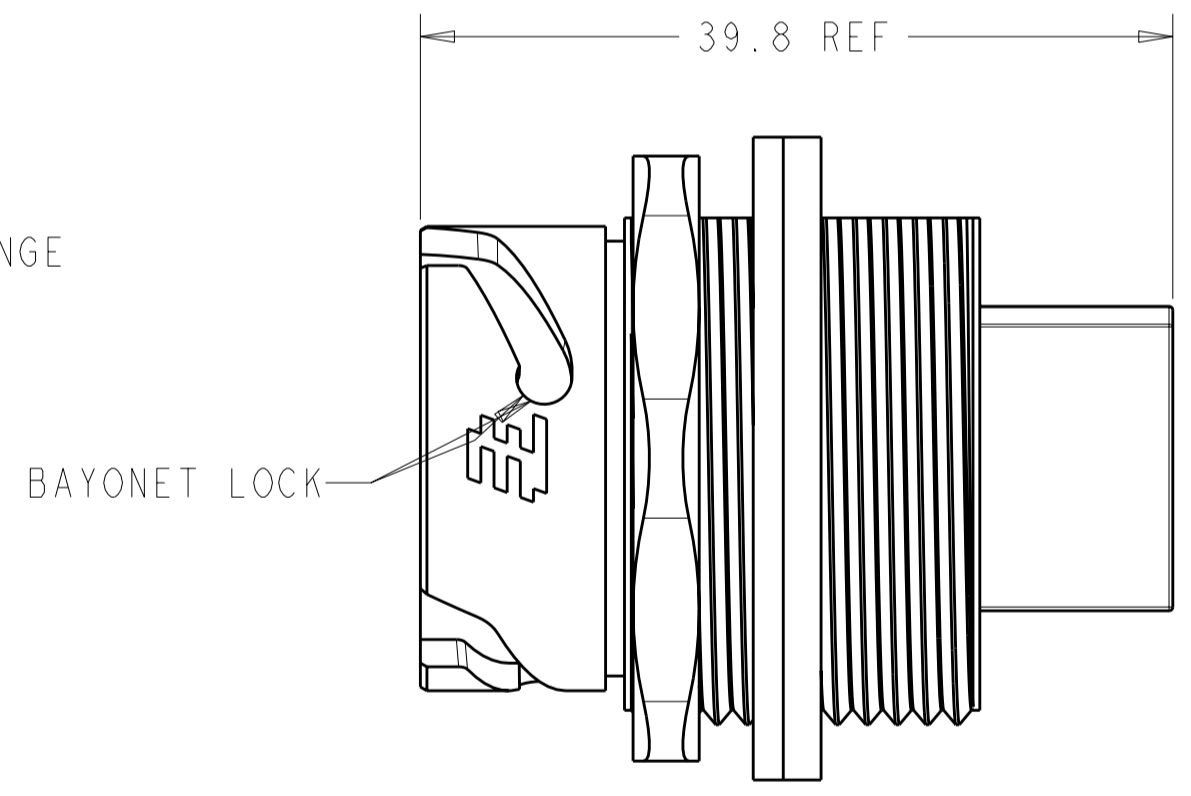
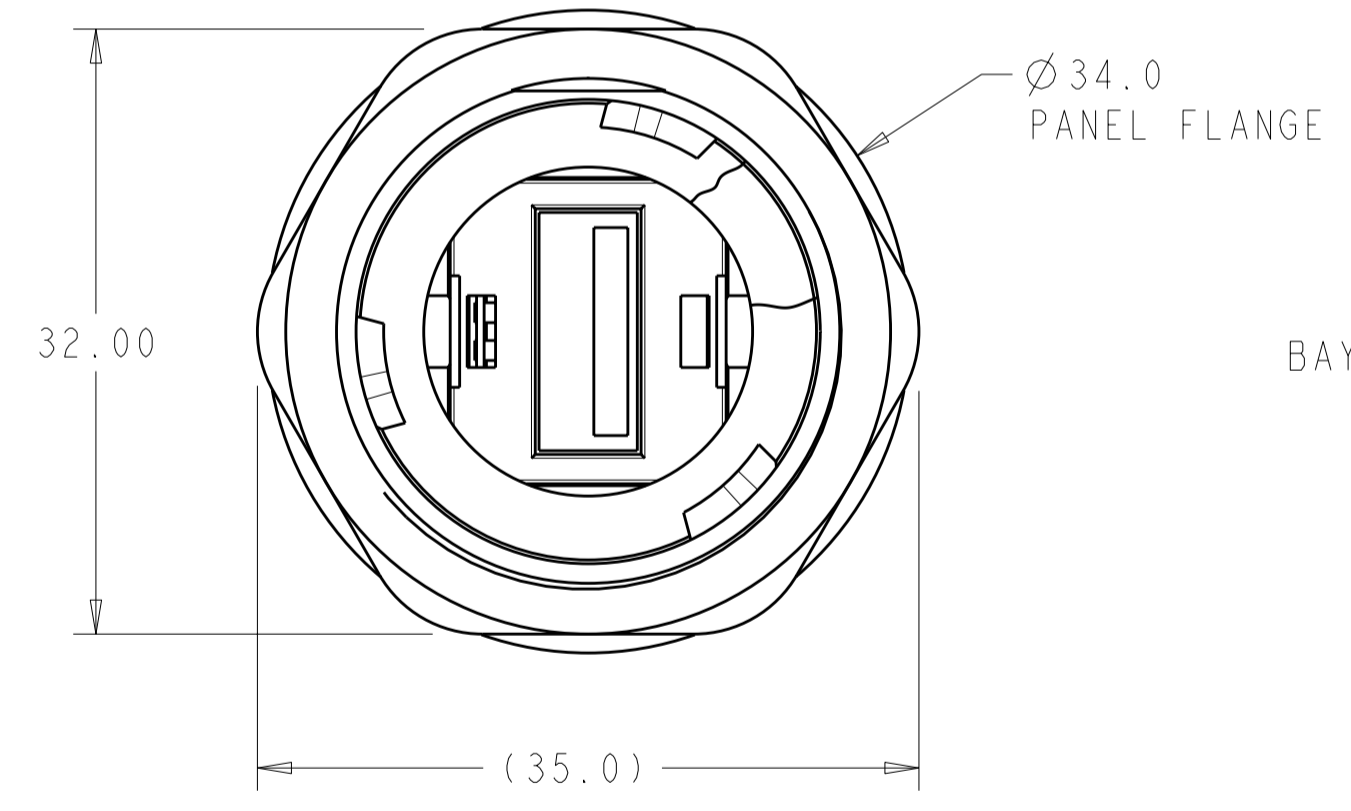
SCALE 2:1

SCALE 2:1

SCALE 1:1



SUGGESTED PANEL CUTOUT



1954643-1
 PART NUMBER

THIS DRAWING IS A CONTROLLED DOCUMENT FOR TYCO ELECTRONICS CORPORATION. IT IS SUBJECT TO CHANGE AND THE CONTROLLING ENGINEERING ORGANIZATION SHOULD BE CONTACTED FOR THE LATEST REVISION.		DWN RAGHU 03OCT06	Tyco Electronics Harrisburg, PA 17105-3608	
DIMENSIONS: mm		CHK J. LANDIS 03OCT06	NAME	
TOLERANCES UNLESS OTHERWISE SPECIFIED: 0 PLC ±0.3 1 PLC ±0.2 2 PLC ±0.10 3 PLC ± 4 PLC ± ANGLES ±1° FINISH		APVD -	RECEPTACLE KIT, SERIES A TO SERIES A CIRCULAR SEALED USB CONNECTOR	
MATERIAL		PRODUCT SPEC 108-2318	SIZE A2	RESTRICTED TO
		APPLICATION SPEC 114-13211	CAGE CODE 00779	DRAWING NO. 1954643
		WEIGHT -	SCALE 5:2	SHEET 1 OF 1 REV A
		CUSTOMER DRAWING		