

4

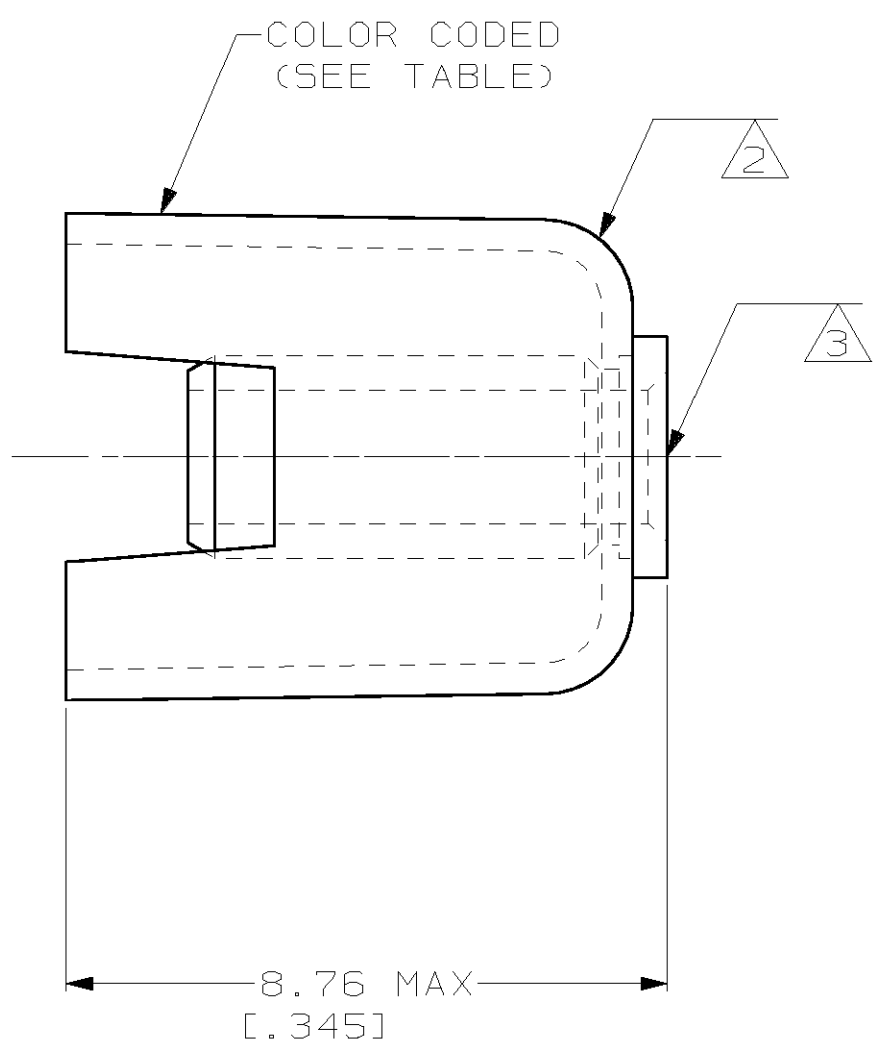
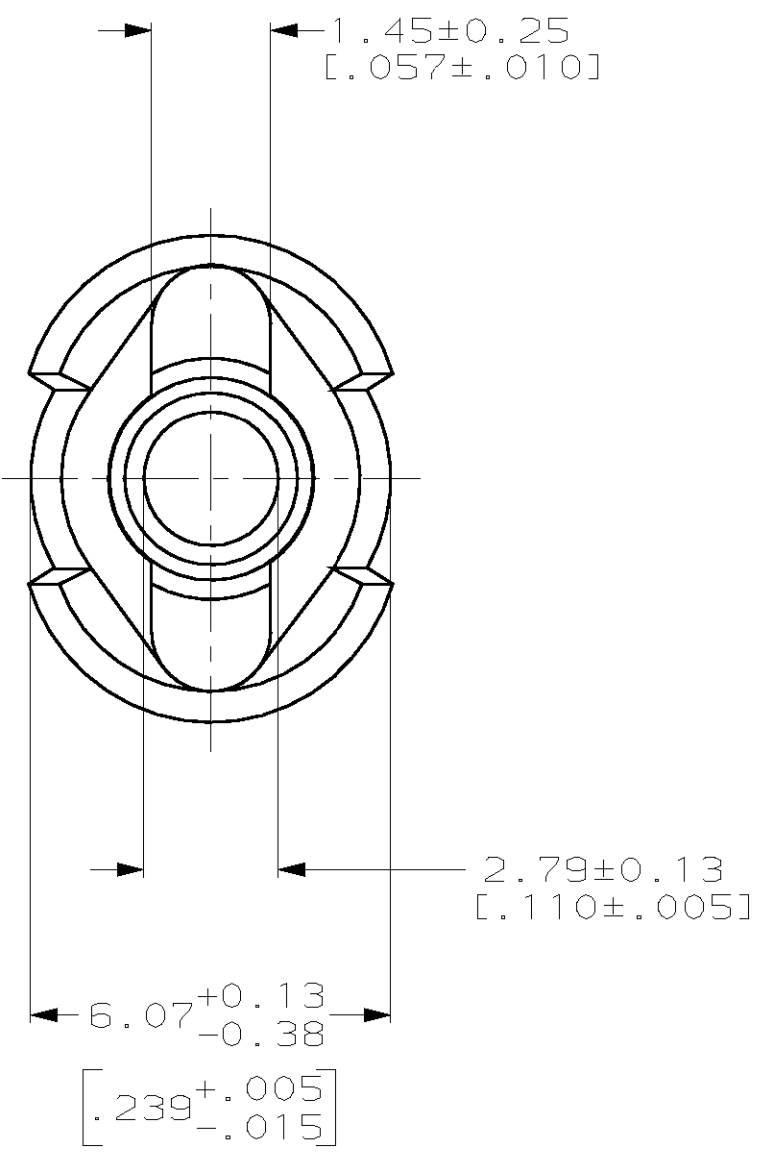
3

2

1

THIS DRAWING IS UNPUBLISHED. RELEASED FOR PUBLICATION ,19 .
 © COPYRIGHT 19 BY AMP INCORPORATED. ALL RIGHTS RESERVED.

LOC	DIST	REVISIONS			
P	LTR	DESCRIPTION	DATE	DWN	APVD
AJ	16	T	REV PER 0U20-0563-00	19OCT00	MO JL



- 1 ZINC PLATE PER QQ-Z-325
- 2 COPPER PER QQ-C-576
- 3 BRASS PER ASTM-B-16
- 4 TIN PLATE PER MIL-T-10727

OBSOLETE	.0247 OZ	NONE	4	2-323932-3
	.0247 OZ	BROWN	4	2-323932-2
OBSOLETE	-	BROWN	4	2-323932-1
	.0247 OZ	BROWN	1	323932
WEIGHT	COLOR	FINISH	PART NUMBER	

INSULATION DIA: 2.16-2.41
[.085-.095]

THIS DRAWING IS A CONTROLLED DOCUMENT.		DWN J.L.GROFT 1-3-97	AMP Incorporated Harrisburg, PA 17105-3608	
DIMENSIONS: mm [INCHES]		CHK S.W.BURKHOLDER 1-3-97		
TOLERANCES UNLESS OTHERWISE SPECIFIED:		APVD S.W.BURKHOLDER 1-3-97	NAME FERRULE ASSEMBLY, TERMASHIELD	
0 PLC ±- 1 PLC ±- 2 PLC ±- 3 PLC ±- 4 PLC ±- ANGLES ±-		PRODUCT SPEC -	DRAWING NO C-323932	
MATERIAL SEE NOTES		APPLICATION SPEC -	SIZE A3	CAGE CODE 00779
FINISH SEE NOTES		WEIGHT -	SCALE 10:1 SHEET 1 OF 1 REV T	
CUSTOMER DRAWING				