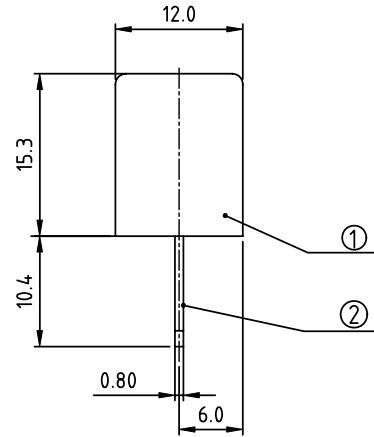
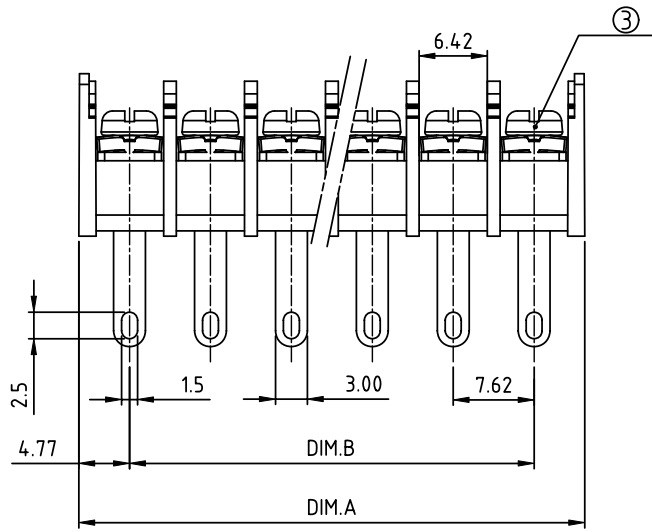
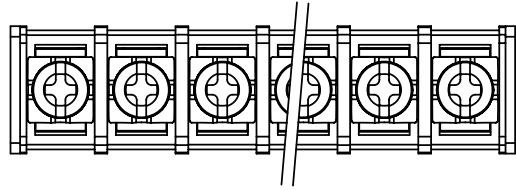


| | |
|----------------|---------|
| PRODUCT NUMBER | PITCH |
| YK305xx0x0JOG | 7.62 mm |



MATERIALS ELECTRICAL
 RATED VOLTAGE & CURRENT: 300 V, 15 A
 WITHSTAND VOLTAGE: AC 2000 V/Min
 INSULATION RESISTANCE: 1000 MΩ OR MORE AT DC 500 V
 OPERATING TEMPERATURE RANGE: -40 °C ~ +115 °C
 SCREW TORQUE VALUE: 5.2 Lb-in.
 WIRE RANGE: 14 ~ 22 AWG
 1) HOUSING: THERMOPLASTIC, UL 94 V-0 BLACK
 2) TERMINAL: BRASS, 0.8t
 3) TERMINAL SCREWS: STEEL, M3

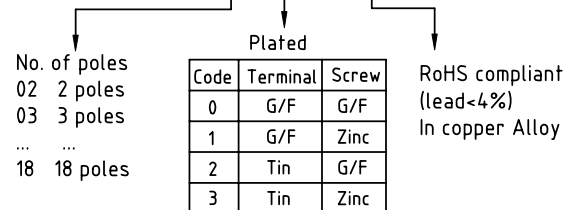
DIMENSION

| | |
|-------|-----------------|
| Dim A | (N-1)×7.62+9.54 |
| Dim B | (N-1)×7.62 |

N=Number of poles

| Poles | Tolerance |
|---------|-----------|
| 2p-4p | ±0.20 |
| 5p-10p | ±0.30 |
| 11p-16p | ±0.40 |
| 17p-18p | ±0.50 |

PART NO.: YK 305xx 0 x 0 JOG



| | | | | | |
|-------------|----------------|-------------------------|-------------------------|---------------------------------------|----------------------------------|
| mat'l. code | | surface ASME Y14.5 ✓ | tolerance ASME Y14.5 | projection MM | product family TERMINAL BLOCK |
| ltr | ecn no | dr | date | tolerances unless otherwise specified | title TERMINAL BLOCK |
| | | | | angles X°±1' | BARRIER TYPE |
| | | | | scale | sheet 1 of 1 size A4 |
| | | dr | HANKE FENG | 060914 | FCI type CUSTOMER Drawing |
| | | enr | HANKE FENG | 060914 | |
| | | chr | HANKE FENG | 060914 | |
| | | appd | SHI JUN | 060914 | |
| sheet index | revision sheet | A | 1 | | |