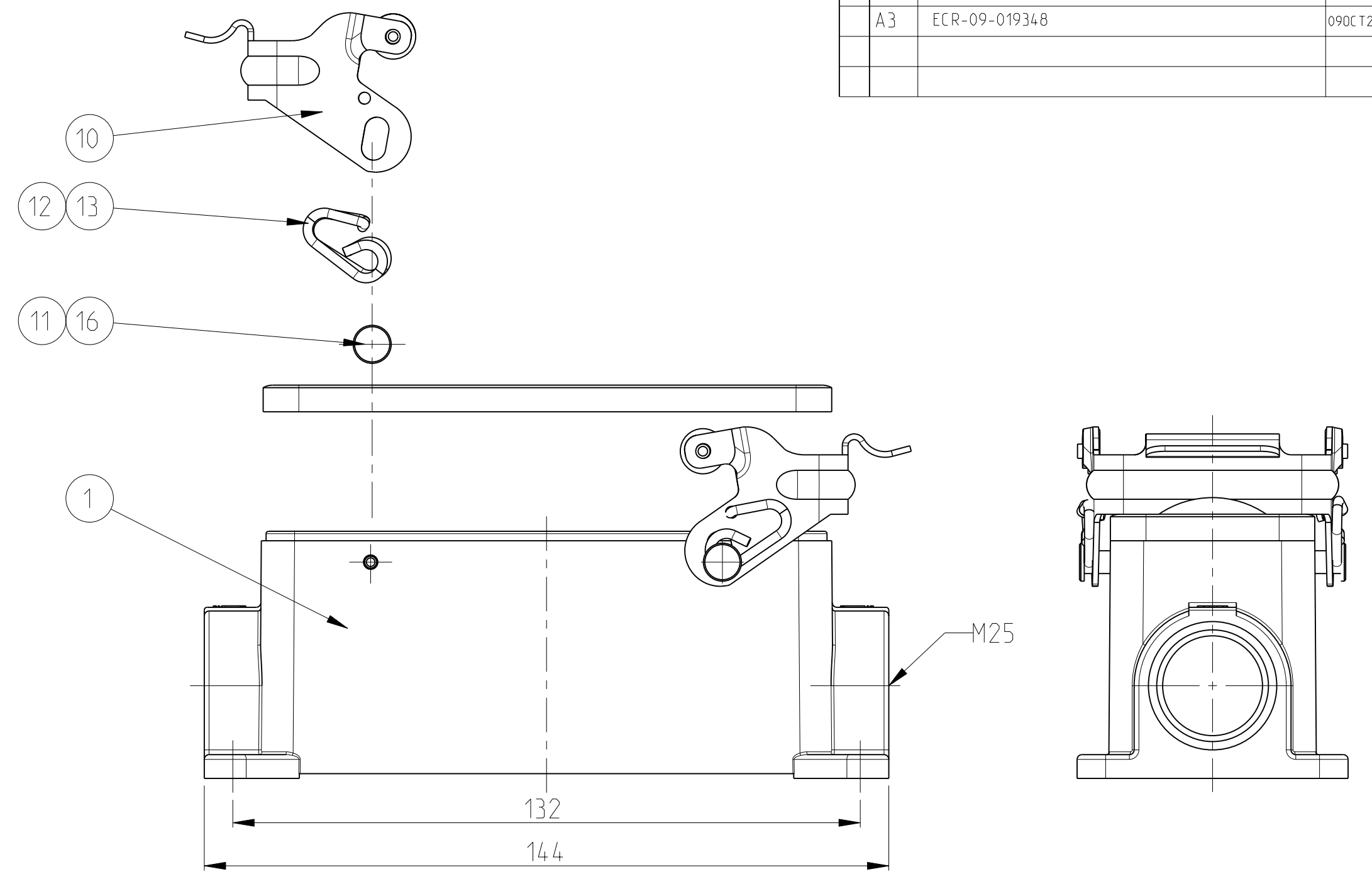
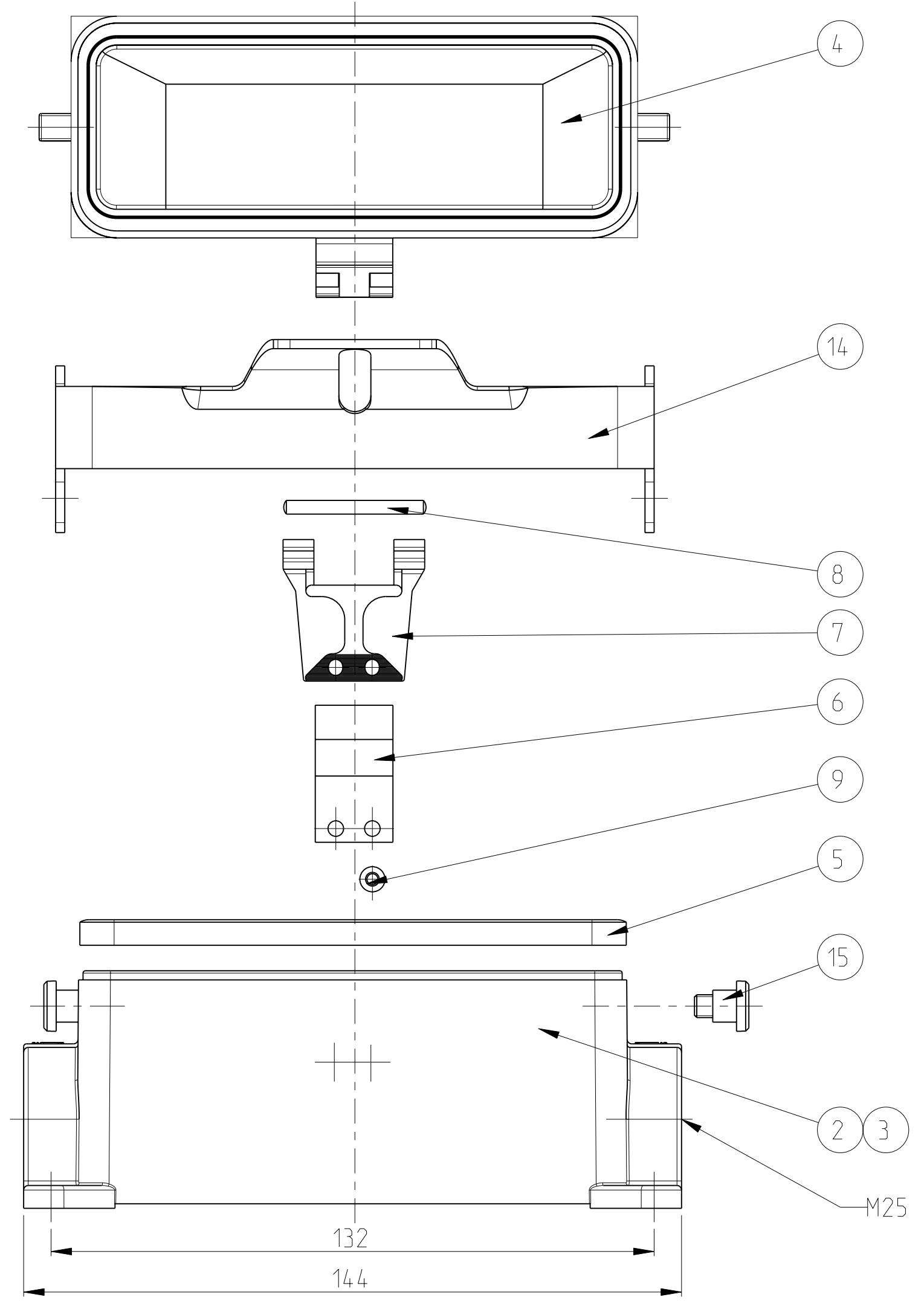


THIS DRAWING IS UNPUBLISHED. RELEASED FOR PUBLICATION 2006
 © COPYRIGHT 2006 BY TYCO ELECTRONICS CORPORATION. ALL RIGHTS RESERVED.

LOC	DIST	REVISIONS					
A1	-	P	LTR	DESCRIPTION	DATE	DWN	APVD
		A2		ECR-09-013545	04 JUN2009	SR	AR
		A3		ECR-09-019348	09 OCT2009	SR	AR



QTY	DESCRIPTION	MATERIAL	SURFACE	COLORE	ITEM	NOTES		
4	CLIP BOLT	STEEL	ZINC PLATED	BLUE				
2	CLIP POSITIONER	STEEL	ZINC PLATED	BLUE				
1	SIDE CLIP	STEEL	ZINC PLATED	BLUE				
2	CLIP SPRING RIGHT	STEEL	ZINC PLATED	BLUE				
2	CLIP SPRING LEFT	STEEL	ZINC PLATED	BLUE				
4	CLIP POSITIONER	STEEL	ZINC PLATED	BLUE				
2	LOCKING CLIP	STEEL	ZINC PLATED	BLUE	10	PG29		
2	ZYLINDER SCREW	SAINLESS STEEL	BLANC		9	PG29		
1	GROVED PIN	STEEL	ZINC PLATED	BLANC	8	PG29		
1	HINGE	ALUMINIUM		GREY	7			
1	LEAF SPRING	STEEL	ZINC PLATED	BLUE	6			
1	1 PROFILE SEAL	NEOPRENE		BLACK	5			
1	1 COVER	ALUMINIUM		GREY	4			
1	SURFACE MOUNTED HOUSING SIDE ENTRY	ALUMINIUM		GREY	3			
1	SURFACE MOUNTED HOUSING SIDE ENTRY	ALUMINIUM		GREY	2			
1	SURFACE MOUNTED HOUSING SIDE ENTRY	ALUMINIUM		GREY	1			
0-3	0-2	0-1	DESCRIPTION	MATERIAL	SURFACE	COLORE	ITEM	NOTES
			HB.24.SG-VS.1.M25.Z					
			HB.24.SGD.1.M25.Z					
			HB.24.SGD-LB.1.M25.Z					

NOTES

- 1 PART SHALL BE FREE AND CLEAN OF BURRS AND OTHER FOREIGN MATERIAL
- 2 PACKAGING: QUANTITY 3 PIECES
- 3 VARNISHING INSIDE HOUSING NOT REQUIRED

THIS DRAWING IS A CONTROLLED DOCUMENT FOR TYCO ELECTRONICS CORPORATION. IT IS SUBJECT TO CHANGE AND THE CONTROLLING ENGINEERING ORGANIZATION SHOULD BE CONTACTED FOR THE LATEST REVISION.

DWN: R.SCHNEIDER 04 JUN2009
 CHK: T.SCHNURPFEL 04 JUN2009
 APVD: -

tyco Electronics
 tyco Electronics AMP GmbH
 53757 Sankt Augustin (Germany)

NAME: SURFACE MOUNTED HOUSING BOTTOM ENTRY
 HB.24.SG.1.M25.Z

SIZE: A2 CAGE CODE: 00779 DRAWING NO: 1103061 RESTRICTED TO: -

MATERIAL: - DIMENSIONS: mm TOLERANCES UNLESS OTHERWISE SPECIFIED: 0 PLC ±- 1 PLC ±- 2 PLC ±- 3 PLC ±- 4 PLC ±- ANGLES ±1° FINISH: - WEIGHT: -

CUSTOMER DRAWING SCALE: 1:1 SHEET 1 OF 1 REV: A3