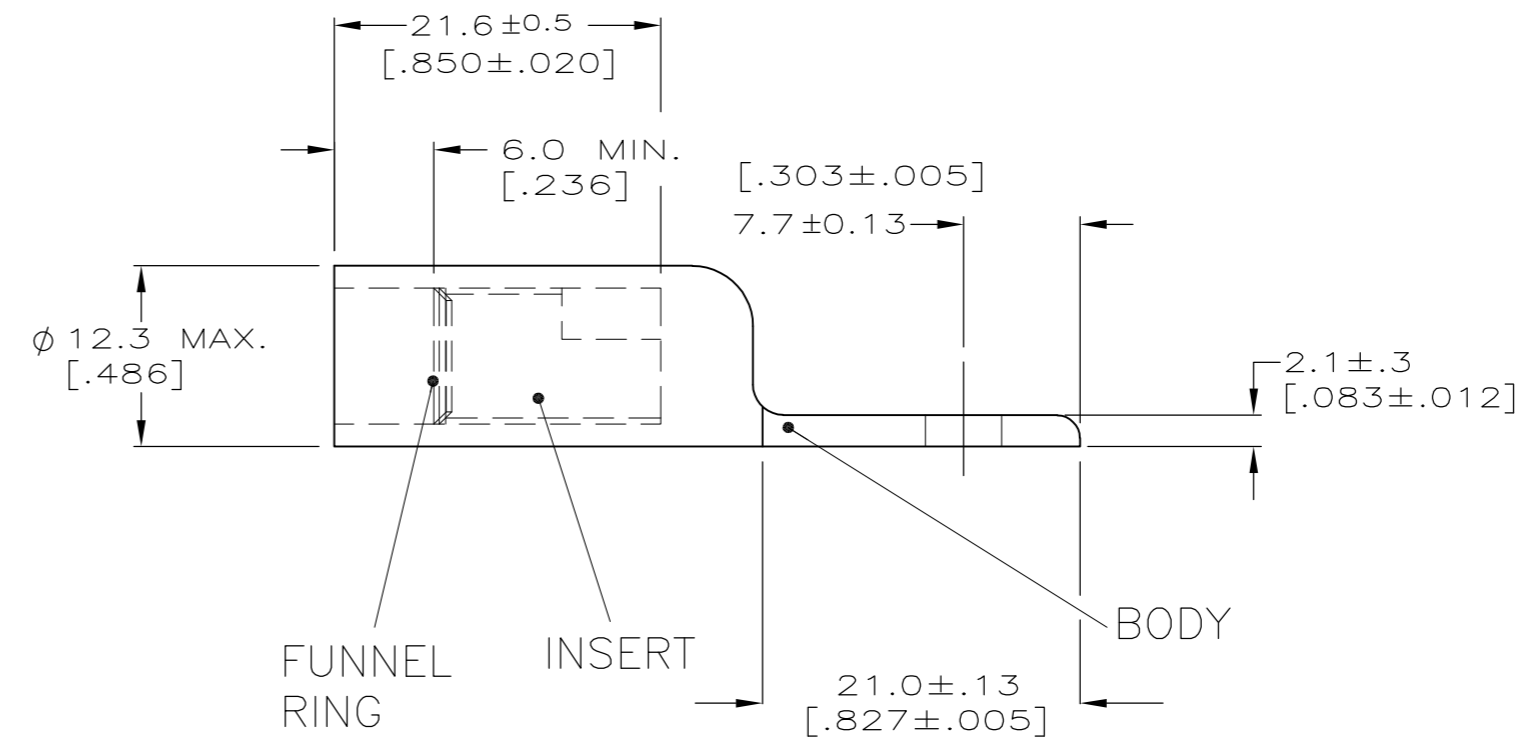
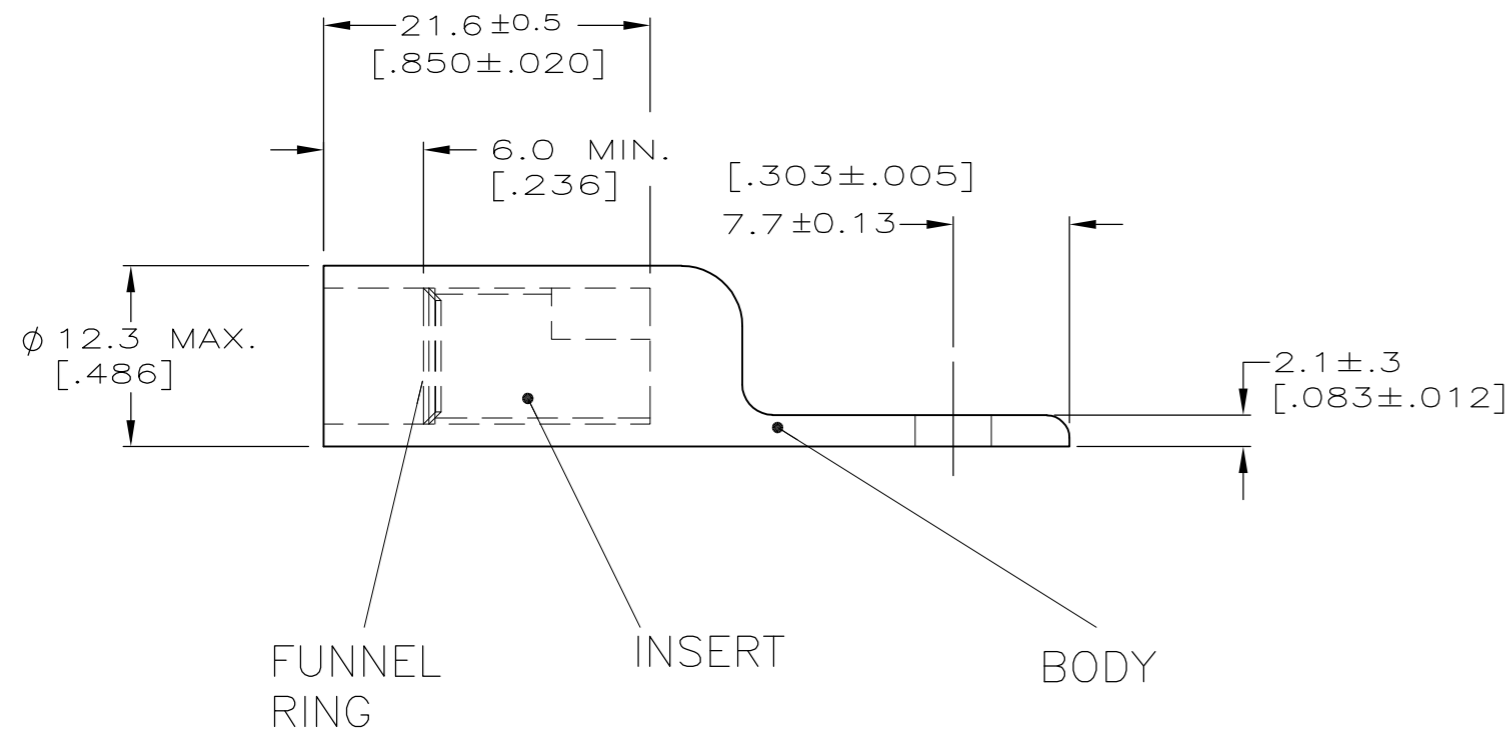
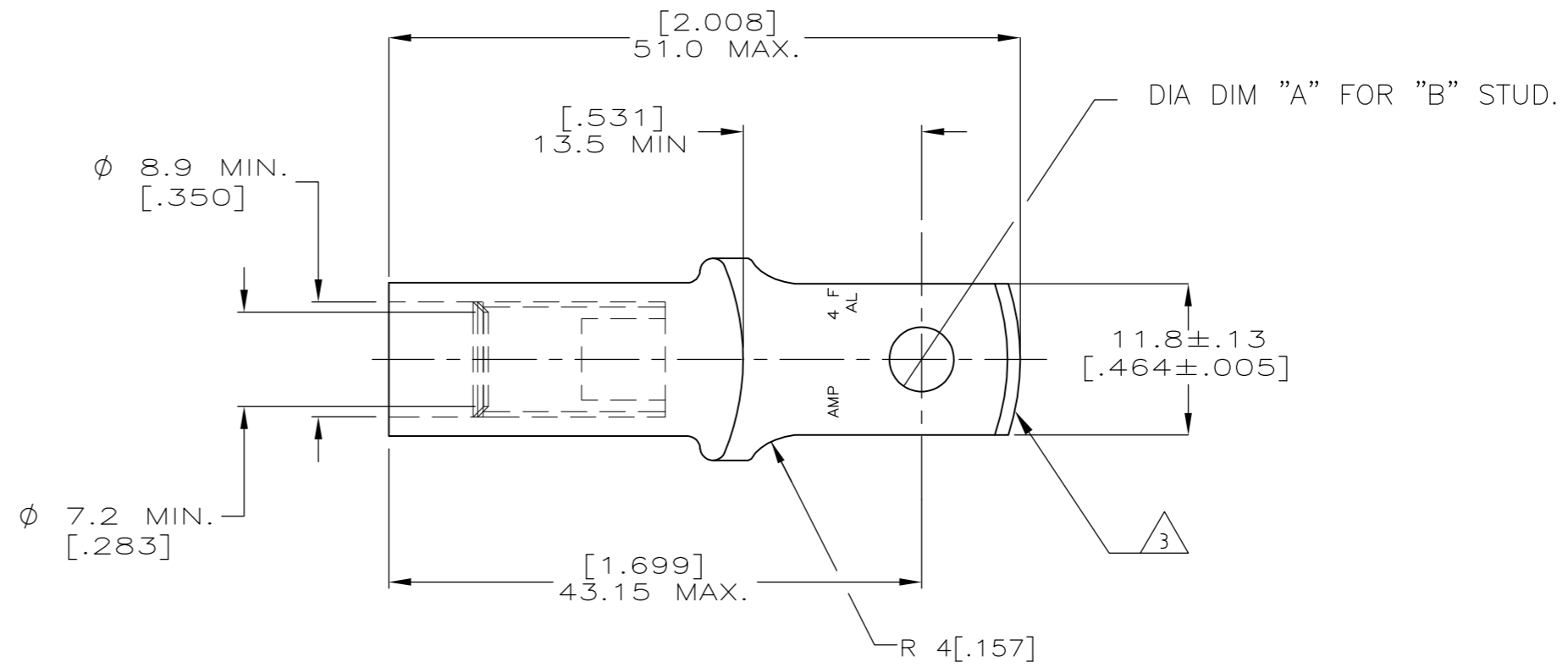
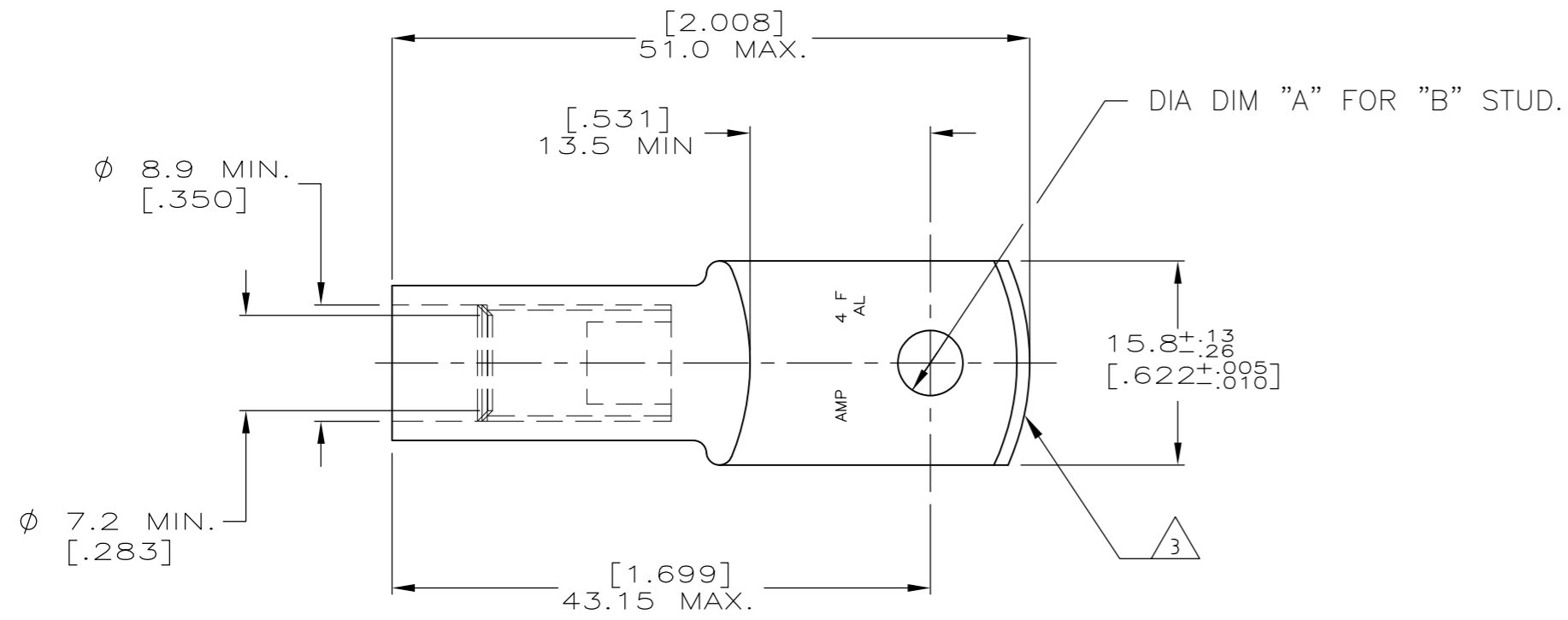


THIS DRAWING IS UNPUBLISHED. RELEASED FOR PUBLICATION
 © COPYRIGHT - By - ALL RIGHTS RESERVED.

LOC		DIST		REVISIONS			
P	LTR	DESCRIPTION		DATE	DWN	APVD	
	H	REVISED PER ECO-15-005573		05MAY15	KG	PD	



REFERENCE : 136059-2

~~REFERENCE : 136059-1~~ — **OBSOLETE**

NOTES:

△1: WIRE INSULATION: 7.01-7.75 [.276-.305]

△2: WIRE CMA: 42331

△3: THE TONGUE RADIUS FEATURE IS NOT A TOOLING CONTROLLED DIMENSION AND MAY NOT BE A TRUE RADIUS.

19.5 GRAMS	5.04+/-0.04 [.198±.002]	10 or M5	BODY: COPPER ASTM-B187 ANNEALED TIN PLATE 0.00381[.000150] MIN THICK PER MIL-T-10727	136059-2
21 GRAMS	5.04+/-0.04 [.198+/-0.002]	10 or M5	INSERT & FUNNEL: BRASS ASTM B36 NICKEL PLATE SAM AMS QQ-N-290A, DATED JULY 2000,.00254 [.000100] MIN THICK	136059-1
WEIGHT	DIM A	B	MATERIAL & FINISH	PART NUMBER

THIS DRAWING IS A CONTROLLED DOCUMENT.		DWN	JJ DESPRETZ	09/92
DIMENSIONS: mm [INCHES]		CHK	G.ROBERT	16-JAN-97
TOLERANCES UNLESS OTHERWISE SPECIFIED:		APVD		
0 PLC ± -		PRODUCT SPEC		
1 PLC ± -		APPLICATION SPEC		
2 PLC ± -				
3 PLC ± -				
4 PLC ± -				
ANGLES ± -				
MATERIAL	FINISH	WEIGHT	NAME	
VOIR TABLEAU	VOIR TABLEAU		SEALED COPALUM	
DIMS. FIL 21.4 mm ² (Al) ISOLANT 7.01/7.75		SCALE	A2	RESTRICTED TO
CUSTOMER DRAWING		SCALE	00779 C=136059	
		SHEET	1 OF 1	REV H