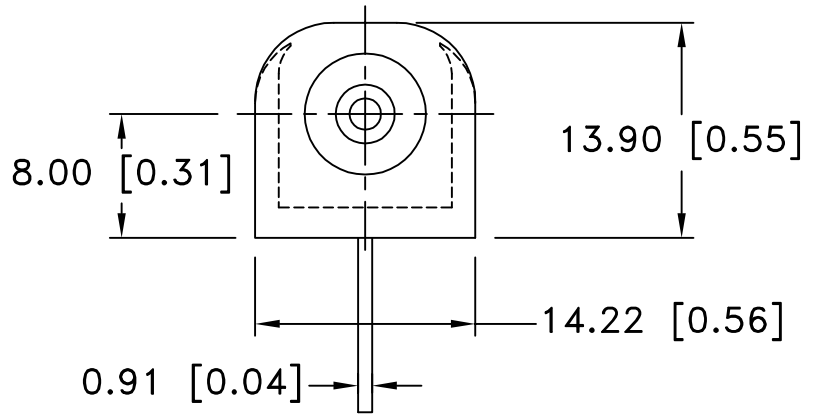
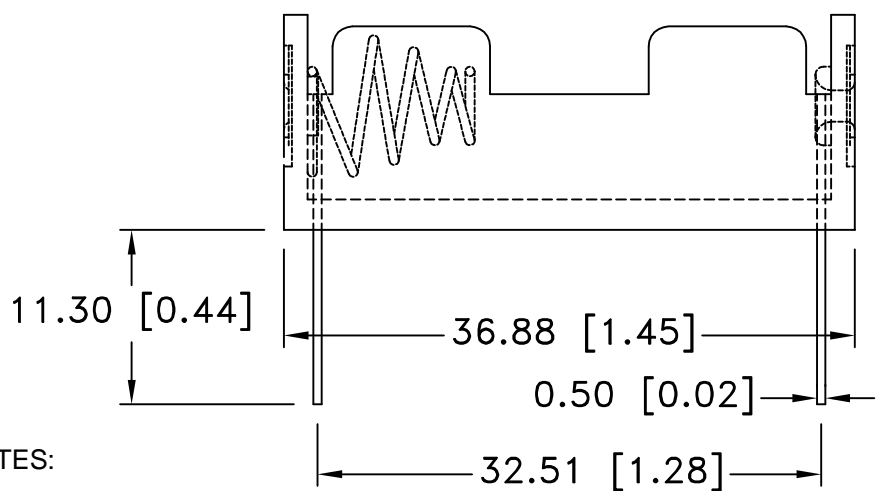
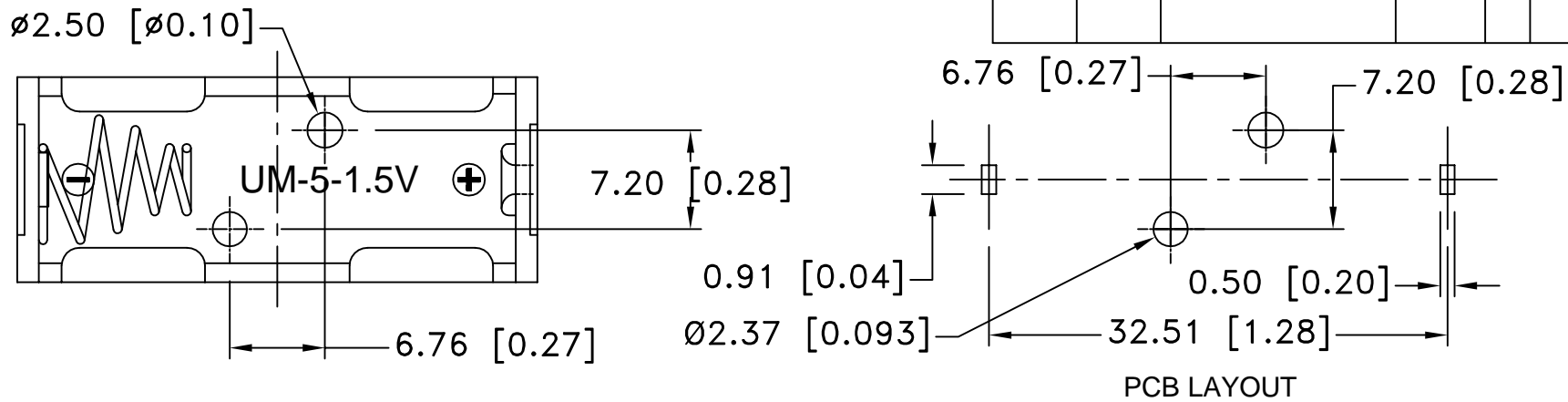



| Date | SYM | REVISION RECORD | AUTH | DR. | CK. |
|---------|-----|------------------------|------|------|-----|
| 6/17/06 | A | ADDED "ROHS COMPLIANT" | T.B. | B.S. | |
| | | | | | |
| | | | | | |
| | | | | | |



NOTES:
 1. MATERIAL:
 HOUSING : BLACK POLYPROPYLENE
 FLAMMABILITY RATING -UL94 HB, UL FILE NO. E216959
 TEMPERATURE RANGE: -10°C to +100°C
 RIVETS: BRASS, NICKLE PLTD.
 SPRING: SPRING STEEL, NICKLE PLTD.
 CONTACTS: SPRING STEEL, NICKLE PLTD.
 WIRE: 26 AWG, UL1007, CSA, TR64
 CONTACT RESISTANCE: UNDER 50mΩ FOR +/- CONTACTS PER
 EIA-540J000
 ROHS COMPLIANT

| | | | |
|--------------------------------|--|-------------------------|------------------|
| Tolerance (Except as noted) |  Memory Protection Devices, Inc 200 Broad Hollow Road, Farmingdale, New York 11735 | Scale | Drawn By B.S. |
| | | | Approved By T.B. |
| decimal ±.5 (.020) | Title ONE "N" CELL HOLDER | Date 6/17/06 | |
| Fractional ± .8 (.030) | | Drawing Number BHNPC | |
| Angular ± 3° | | | |