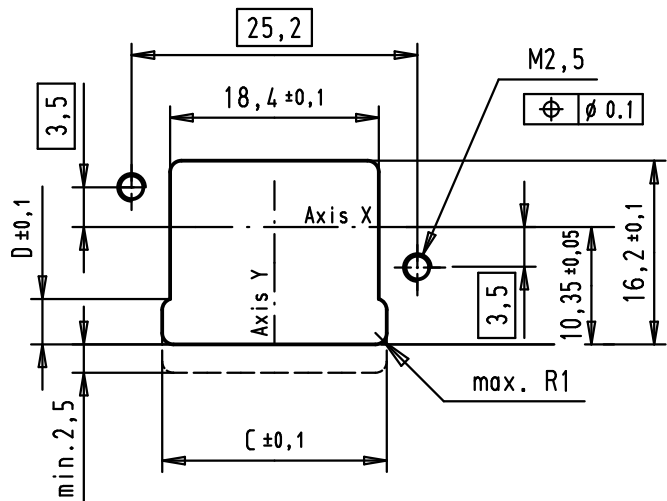
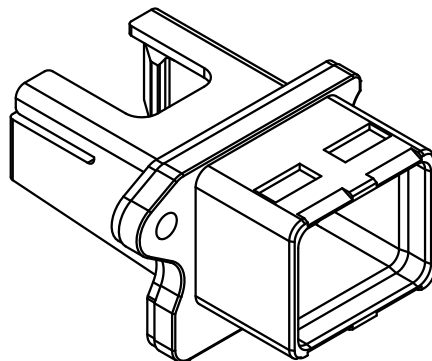
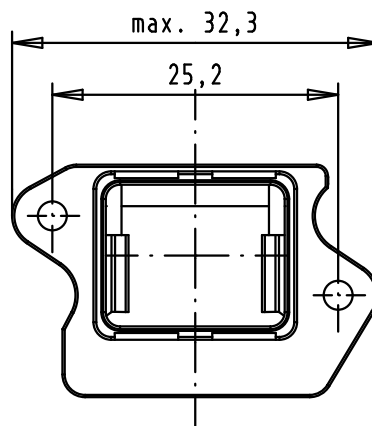
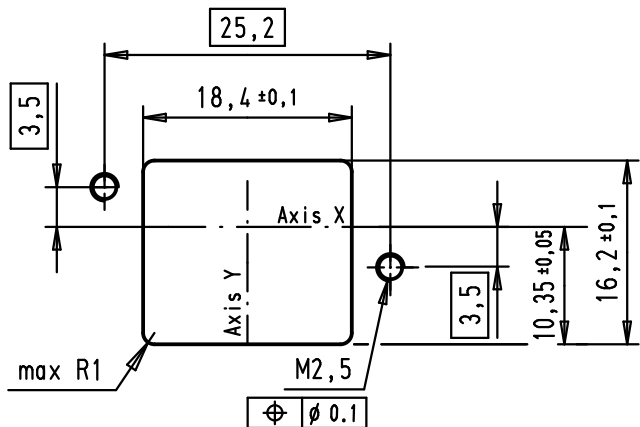


Panel cutting I



C = 19,8 and D = 4,0 for solder pin data layout
 C = 21,0 and D = 4,1 for SMD data layout

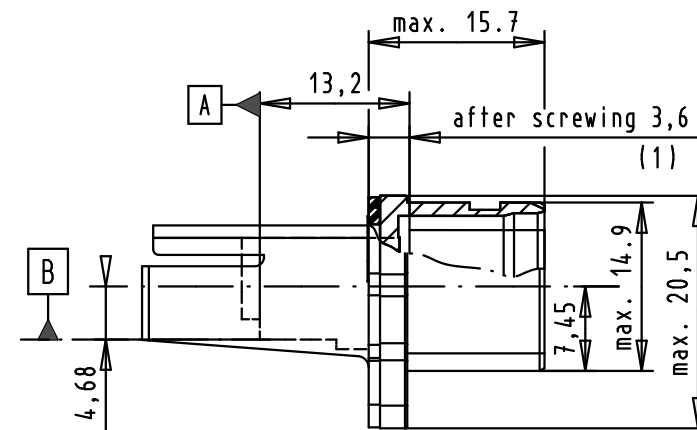
Panel cutting II



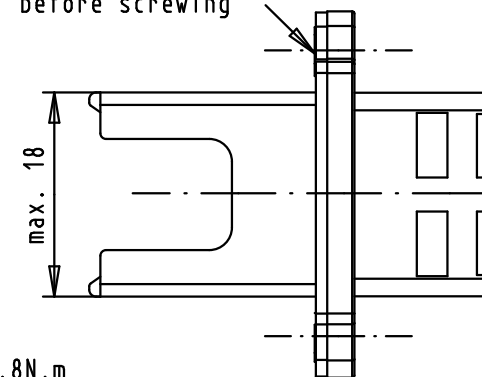
Connector pitch on panel:
 Axis X = 27 mm and Axis Y = 21 mm
 Receptacle mating side according to
 600076-3-106 IEC - variant 04

Mating references A and B
 according to IEC 60603-7

(1) Screwing x2 M2.5 screws between 0.5N.m and 0.8N.m
 screw according to DIN 912 and ISO 4762

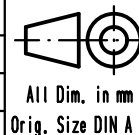


1 mm tickness flat seal
 before screwing



Interface	Panel Cutting
RJ 45 jack 0945 551 1100	I
RJ 45 jack 0945 551 1101	I
RJ 45 jack 0945 551 1102	I
Push Pull Power	II

Mod.	Dot.	Name	Dot.	Name
36306	08/12/10	AB		
EC02645	08/12/10	AB	Detail.	12/jan/05 JFB
EC01204	12/01/10	AB	Insp.	
35413	17/11/08	AB	Stand.	
35092	17/07/08	AB	HARTING EURL F-95972 Paris	
33793	28/07/06	PK		
Mod.	Dot.	Name		



All Dim. in mm
 Orig. Size DIN A 4

Push pull RJ Industrial
 Thermoplastic IP67 Receptacle
 And flat Seal

Maßstab/
 Scale
 1,5:1

TB 09 45 545 00 21

Blatt/ Page
 1/1

Sub.