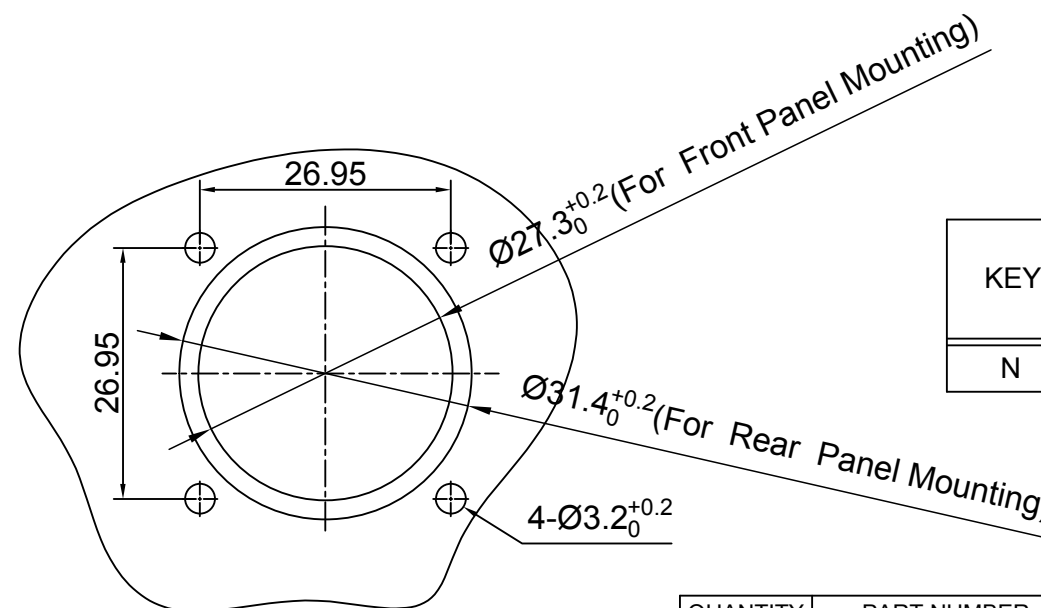
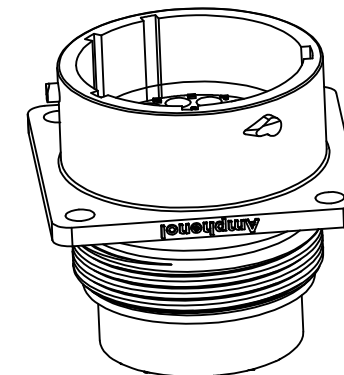
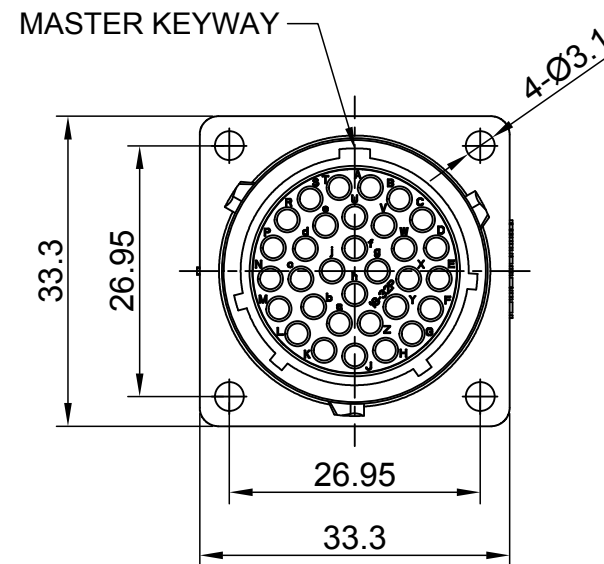
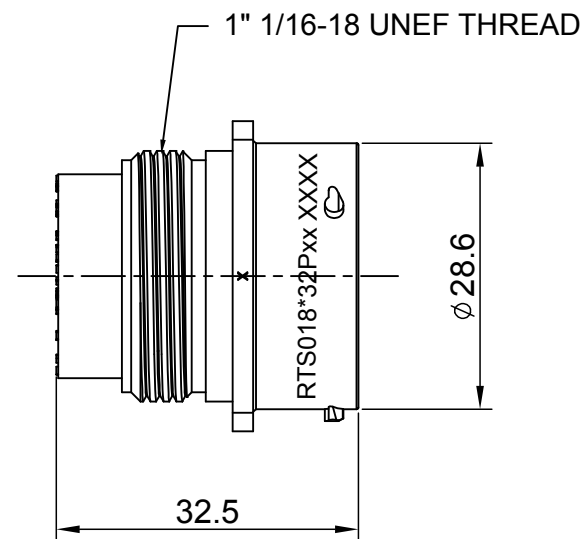


| REVISIONS |     |                  |             |       |       |
|-----------|-----|------------------|-------------|-------|-------|
| REV       | ECO | DESCRIPTION      | DATE        | BY    | APPR  |
| A1        | --  | RELEASED DRAWING | Dec-26-2016 | Ben   | Tommy |
| A2        | --  | UPDATE DRAWING   | Mar-21-2018 | White | Tommy |
| A3        | --  | UPDATE DRAWING   | Apr-10-2018 | White | Tommy |



| KEY | PART NUMBER |               |
|-----|-------------|---------------|
|     |             | -40°C ~ 105°C |
| N   | RTS018N32P  | RTS018N32P03  |

NOTES : (UNLESS OTHERWISE SPECIFIED)

- MATERIAL :
  - SHELL : THERMOPLASTIC , UL94 V-0.
  - INSERT : THERMOPLASTIC , UL94 V-0.
  - SEAL GASKET : NBR/SILICONE RUBBER.
- SPECIFICATIONS :
  - RATED CURRENT :
    - STAMPED CONTACT 5A (MAX).
    - MACHINED CONTACT 7.5A (MAX).
  - RATED VOLTAGE : 250V(AC/DC).
  - OPERATING TEMPERATURE : SEE TABLE.
  - DIELECTRIC WITHSTANDING VOLTAGE : LESS THAN 2 MILLIAMPS CURRENT LEAKAGE@1500 VOLTS AC.
  - INSULATION RESISTANCE : 5000 MEGOHMS MIN.
  - IP--CLASS : IP67 AND IP69K IN THE MATED CONDITION, PANEL EXTERNAL.
  - MATING CYCLES DURABILITY : 500 CYCLES MIN.
  - RoHS COMPLIANT.
- SUITABLE CONTACTS : 20# CONTACT.
- ALL DIMENSIONS ARE FOR REFERENCE USE ONLY.

PANEL CUT OUT REFERENCE

| QUANTITY  | PART NUMBER | DESCRIPTION   | ITEM         |            |      |         |              |   |             |              |    |             |           |  |              |                 |  |             |
|---|-------------|---|--------------|------------|------|---------|--------------|---|-------------|--------------|----|-------------|-----------|--|--------------|-----------------|--|-------------|
| <b>MATERIALS LIST</b>   |             |   |              |            |      |         |              |   |             |              |    |             |           |  |              |                 |  |             |
| UNLESS OTHERWISE SPECIFIED<br>1) All dimensions are in metric(mm).<br>2) Tolerances are as follows:<br>1 PL DEC ±0.30   Fractions ±1/64<br>2 PL DEC ±0.15   Angles ±1°<br>3 PL DEC ±0.08<br>3) Note reference = |             | <table border="1"> <thead> <tr> <th colspan="2">SIGNATURES</th> <th>DATE</th> </tr> </thead> <tbody> <tr> <td>DRAWN: White</td> <td></td> <td>Apr-10-2018</td> </tr> <tr> <td>CHECKED: Tod</td> <td></td> <td>Apr-10-2018</td> </tr> <tr> <td>ENGINEER:</td> <td></td> <td></td> </tr> <tr> <td>APPROVAL: Tommy</td> <td></td> <td>Apr-10-2018</td> </tr> </tbody> </table> |              | SIGNATURES |      | DATE    | DRAWN: White |   | Apr-10-2018 | CHECKED: Tod |    | Apr-10-2018 | ENGINEER: |  |              | APPROVAL: Tommy |  | Apr-10-2018 |
| SIGNATURES  |             | DATE  |              |            |      |         |              |   |             |              |    |             |           |  |              |                 |  |             |
| DRAWN: White  |             | Apr-10-2018   |              |            |      |         |              |   |             |              |    |             |           |  |              |                 |  |             |
| CHECKED: Tod  |             | Apr-10-2018   |              |            |      |         |              |   |             |              |    |             |           |  |              |                 |  |             |
| ENGINEER:   |             |   |              |            |      |         |              |   |             |              |    |             |           |  |              |                 |  |             |
| APPROVAL: Tommy   |             | Apr-10-2018   |              |            |      |         |              |   |             |              |    |             |           |  |              |                 |  |             |
| MATERIAL SPECIFICATIONS:  |             | <p style="text-align: center;"><b>Amphenol</b></p> <p>Sine Systems - www.amphenol-sine.com<br/>44724 Morley Drive<br/>Clinton Township, MI 48036</p>  |              |            |      |         |              |   |             |              |    |             |           |  |              |                 |  |             |
| PROCESS SPECIFICATIONS:   |             | <p style="text-align: center;">ECO-MATE, RECEPTACLE,<br/>FLANGE, SIZE 18, 32 POS, PIN</p>   |              |            |      |         |              |   |             |              |    |             |           |  |              |                 |  |             |
| NEXT ASSY:  |             | <table border="1"> <tr> <td>SIZE</td> <td>TYPE</td> <td>DWG NO:</td> <td>REVISION</td> </tr> <tr> <td>B</td> <td>C-</td> <td>RTS018*32Pxx</td> <td>A3</td> </tr> <tr> <td>SCALE</td> <td colspan="2">NONE</td> <td>SHEET 1 OF 1</td> </tr> </table>   |              | SIZE       | TYPE | DWG NO: | REVISION     | B | C-          | RTS018*32Pxx | A3 | SCALE       | NONE      |  | SHEET 1 OF 1 |                 |  |             |
| SIZE  | TYPE        | DWG NO:   | REVISION     |            |      |         |              |   |             |              |    |             |           |  |              |                 |  |             |
| B   | C-          | RTS018*32Pxx  | A3           |            |      |         |              |   |             |              |    |             |           |  |              |                 |  |             |
| SCALE   | NONE        |   | SHEET 1 OF 1 |            |      |         |              |   |             |              |    |             |           |  |              |                 |  |             |

TITLE: ECO-MATE, RECEPTACLE, FLANGE, SIZE 18, 32 POS, PIN

DWG NO:

RTS018\*32Pxx

REV: A3

SH: 1

OF: 1