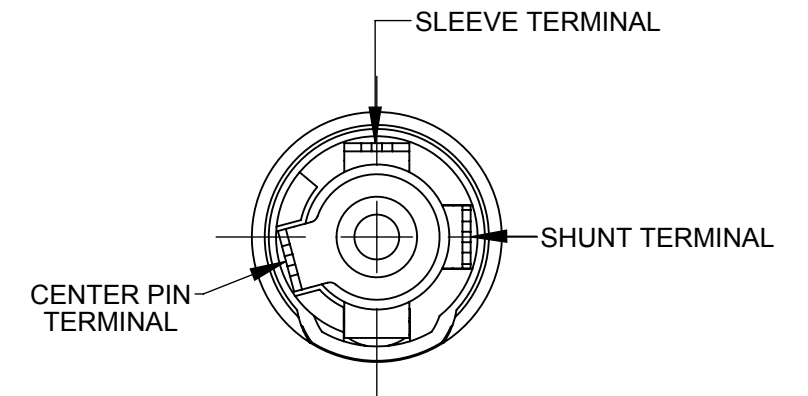
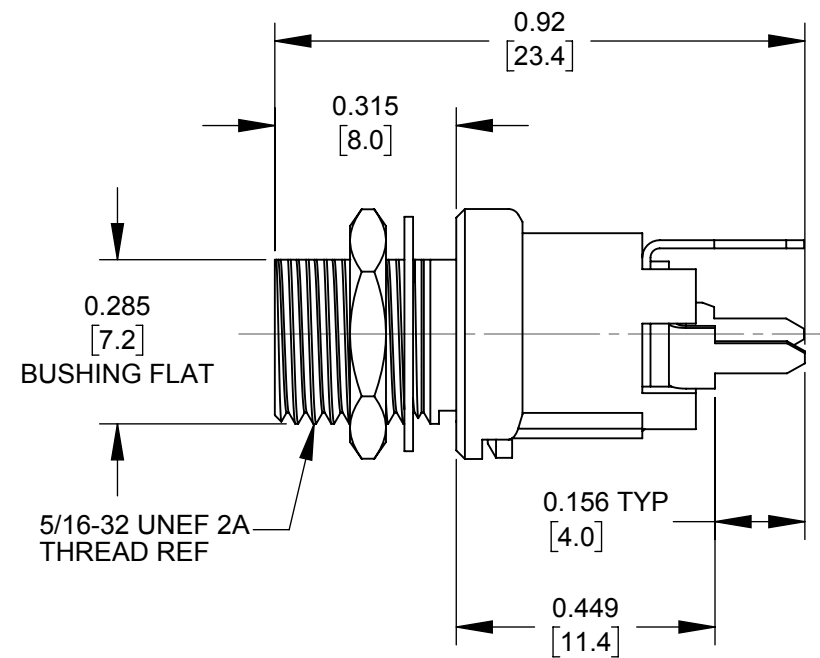
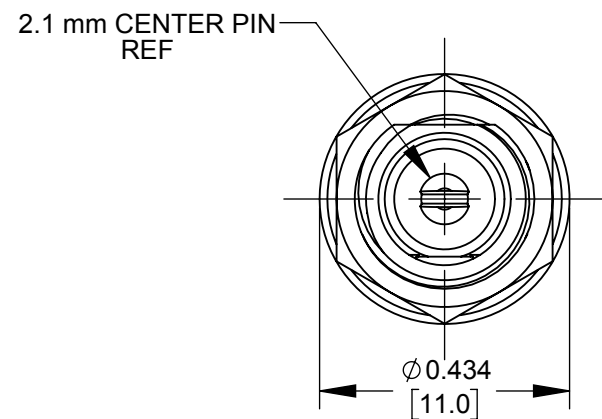
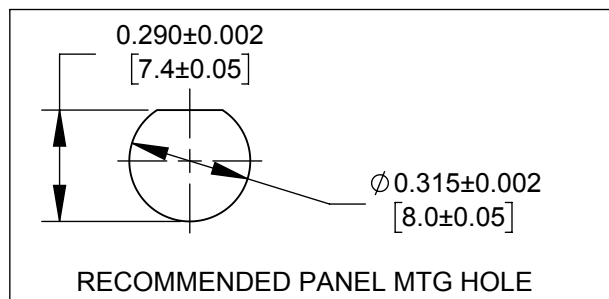
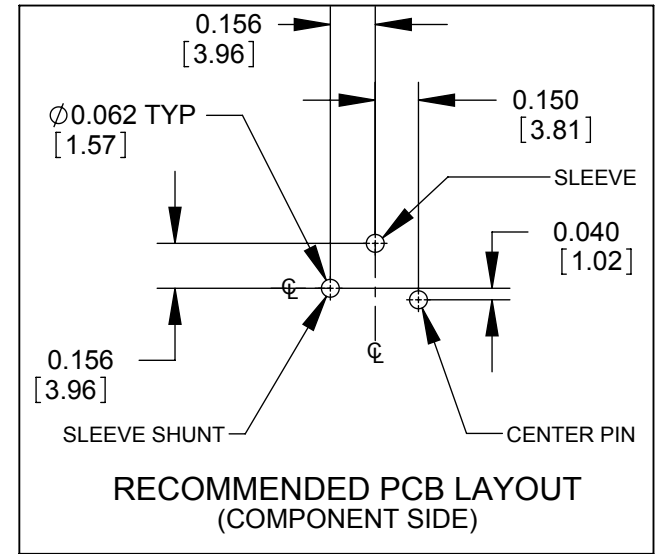
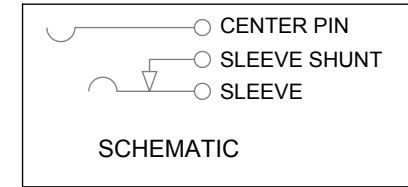


PART NUMBER	DESCRIPTION	SWITCHCRAFT MATING 2.1mm POWER PLUGS
PC721A	2.1mm POWER JACK, LONG BUSHING, STRAIGHT PC	767K, 768K



NOTES:

- DIMENSIONS SHOWN FOR REFERENCE ONLY.
- HEX NUT AND FLAT WASHER SUPPLIED UNASSEMBLED.
- MATERIAL:  
HOUSING, HEX NUT - COPPER ALLOY, NICKEL PLATED  
INSULATOR HOUSING - THERMOPLASTIC, RED  
TERMINAL INSULATORS - PHENOLIC  
FLAT WASHER - STEEL, NICKEL PLATED  
PIN, SPRING, TERMINALS - COPPER ALLOY, SILVER PLATED
- THESE PRODUCTS ARE RoHS COMPLIANT

**CUSTOMER DRAWING**

					THIS DRAWING DESCRIBES A DESIGN CONSIDERED PROPRIETARY IN NATURE, DEVELOPED AND MANUFACTURED BY SWITCHCRAFT INC. AND IS RELEASED ON A CONFIDENTIAL BASIS FOR IDENTIFICATION PURPOSES ONLY.				
UNLESS OTHERWISE SPECIFIED					SIZE	WIDTH	MULT	LBS/M	TEMPER
1. ALL DIMENSIONS IN INCHES					FINISH				MATERIAL
- TWO PLACE DECIMALS ±0.02					SPEC No.				SPEC No.
- THREE PLACE DECIMALS ±0.005					FIRST USED ON		SCALE 3:1		
0A	PRELIMINARY	02/08/17	PNK	SRC	DATE DRAWN	BY	CHKD	APVD	<b>Switchcraft</b> <sup>®</sup>
REV	ECO NUMBER	DATE	BY	APVD	02/08/17	PNK	02/08/17	02/08/17	
REVISIONS					NAME 2.1mm POWER JACKS LONG BUSHING, STRAIGHT PC, RoHS				
DO NOT SCALE DRAWING					PART No. PCL721A				REV 0A