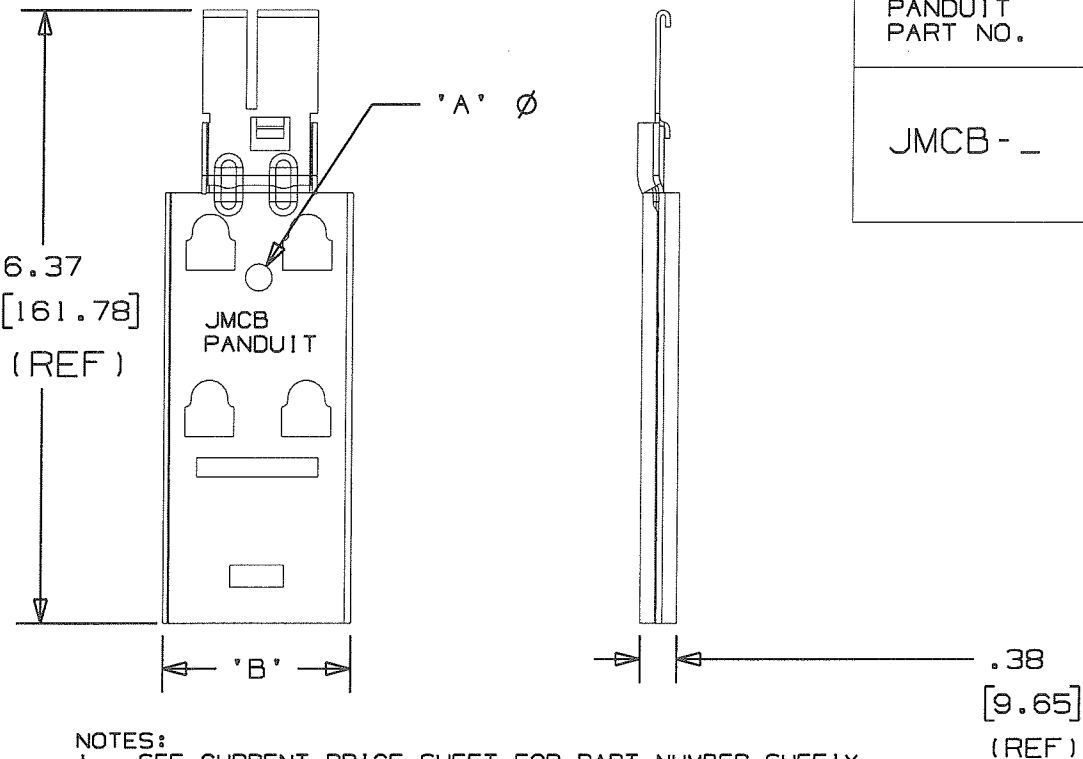
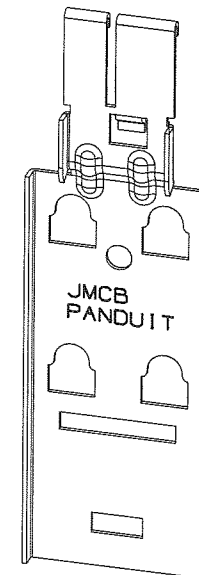


THIS COPY IS PROVIDED ON A RESTRICTED BASIS AND IS NOT TO BE USED IN ANY WAY DETRIMENTAL TO THE INTERESTS OF PANDUIT CORP.



PANDUIT PART NO.	DIMENSIONS		WEIGHT lbs / 10 (g) / pcs
	'A'	'B'	
JMCB - _	0.28 (7.14)	1.96 (49.73)	1.55 (703)



NOTES:

1. SEE CURRENT PRICE SHEET FOR PART NUMBER SUFFIX DESIGNATION FOR PACKAGE SIZE.
2. MATERIAL: 18 Ga. (0.048") HIGH CARBON STEEL.
3. FINISH: ELECTRODEPOSITED ZINC PER ASTM-B-633 (SERVICE CONDITION) SC2, TYPE III WITH BRIGHT LUSTER.
4. JMCB CHAINING BRACKET IS DESIGNED TO WORK WITH PANDUIT JMCMB25-1, JMDWB-1, JMTRB38-1, JMSBCB87-1, AND JMCB TO EXTEND CABLE MANAGEMENT LEVELS. MAXIMUM RECOMMENDED ADDED LEVELS: 2.
5. TWO JMJB2 J HOOK PRODUCTS WILL MOUNT IN A BACK-TO-BACK CONFIGURATION TO THE JMCB AFTER INSTALLATION INTO JMCMB25-1, JMTRB38-1, JMSBCB87-1 AND JMCB. ONLY ONE JMJB2 WILL MOUNT TO THE JMCB AFTER INSTALLATION INTO THE JMDWB-1.
6. RATED STATIC LOAD: 120 lbs. (54.43kg)

DIMENSIONS IN BRACKETS ARE METRIC [mm]	
CAD FILENAME/LAYERS G02672BB_DC_GB2672DF/10A	
<h1>PANDUIT</h1> CORP. TINLEY PARK, ILLINOIS	
JMOD CHAINING BRACKET (JMCB - _)	
UNLESS OTHERWISE SPECIFIED, DIMENSIONAL TOLERANCES ARE: (.X) ±0.05 (1.3) (.XXX) ±0.010 (0.25) (.XX) ±0.02 (0.5) ANGLES ± 5°	UNLESS OTHERWISE SPECIFIED, ALL DIMENSIONS ARE GIVEN IN INCHES, THIRD ANGLE PROJECTION.

REV	DATE	BY	CHK	DESCRIPTION	ECN	R	CUST	SUP	CHK'D	DRAWN BY	MAT'L	SCALE	DWG SIZE
IOA	06/09/09	ARHA	<i>AK</i>	CHANGED NOTES REGARDING MATERIAL AND PLATING, REV. AND FILENAME FORMAT	GB2672DF	IOA	<i>KW</i>			JAD		NONE	
R	3/7/03	JAD		INITIAL RELEASE	GB2672DF	R				3/7/03	SEE NOTE 2	DRAWING NO.	DWG SIZE
									<i>KW</i>			GB2672DF	A