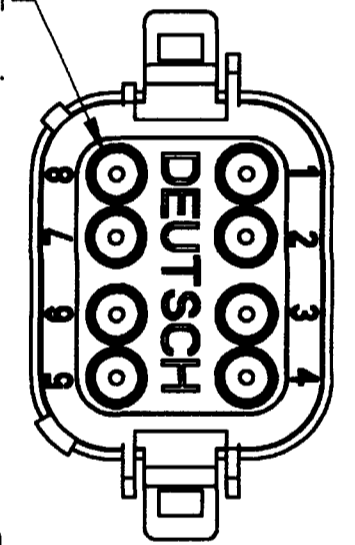
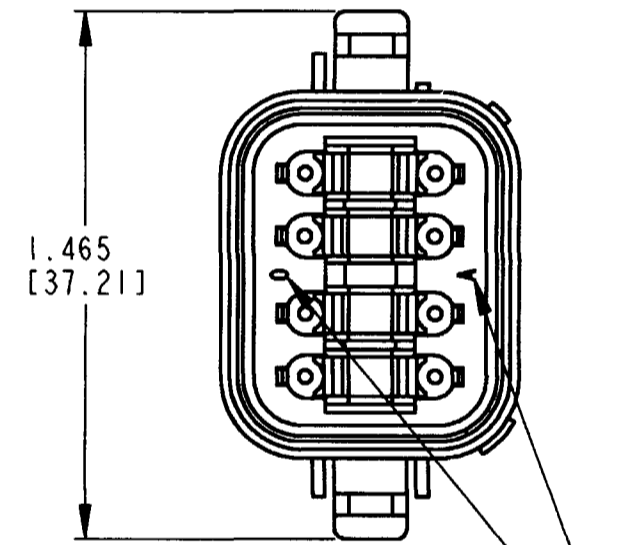
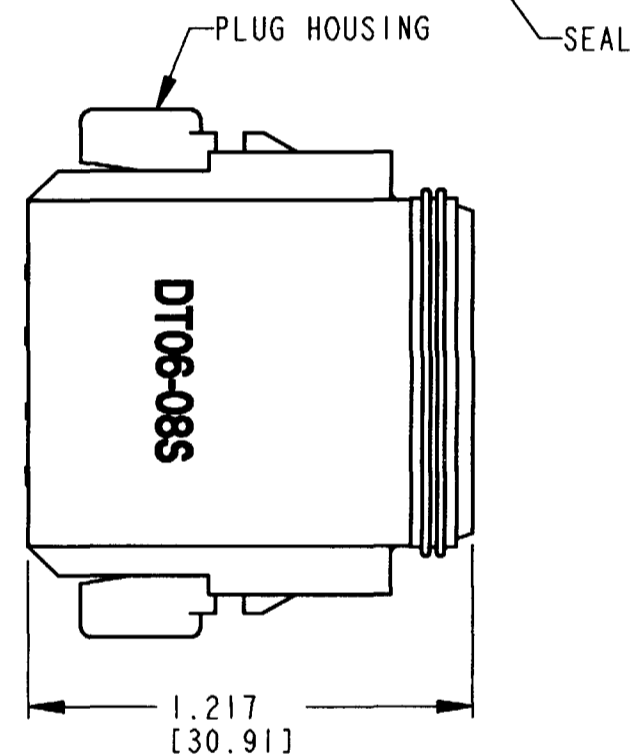
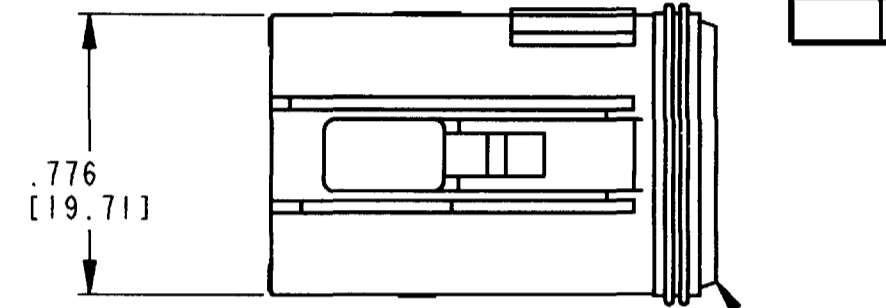


EXTRA RING IDENTIFIES GROMMET AS HAVING REDUCED DIAMETER WIRE SEALS. [E SEAL].



REV	DT06-08SA-CE06
NC	

REVISIONS			
SYM	DESCRIPTION	DATE	APPROVED
NC	NEW RELEASE PER E.O. PI6139	6-7-99	RDR



CONTACT SIZE	MIN. INSUL O.D.	MAX. INSUL O.D.	WIRE RANGE [mm ²]
16	.053 [1.35]	.120 [3.05]	14-20 AWG [2.0-0.5]

DATE CODE:
 MONTH IS REPRESENTED BY SEQUENTIAL ALPHA CHARACTERS. EX: A=JANUARY
 YEAR IS REPRESENTED BY THE LAST NUMERICAL DIGIT. EX: 0=2000

4. THIS PLUG MATES WITH DT04-08PA-**** RECEPTACLE (**** = ALL MODIFICATIONS). CONSULT FACTORY FOR MODIFICATIONS.
3. FOR CONTACTS AND WIRE PERFORMANCE AND APPLICATION CHARACTERISTICS SEE ENVELOPE DRAWING 0425-015-0000 AND 0425-017-0000.
2. DIMENSIONS ARE ±.025[0.63] UNLESS OTHERWISE SPECIFIED.
1. DIMENSIONS ARE IN INCHES [MILLIMETERS].

NOTES:

SIGNATURE & DATE		8 WAY PLUG W/ RECUCED DIA. GROMMET CE06 MOD DT SERIES	CP	MATL. CODE
DR	S. THEIS 6/4/99		The Deutch Company	
CHK	<i>[Signature]</i> 6/7/99		DEUTSCH I.P.D. 3850 INDUSTRIAL AVE. HEMET, CALIF. 92545	
PE	<i>[Signature]</i> 6-4-99		DT06-08SA-CE06	
APPD	<i>[Signature]</i> 6-7-99	ENVELOPE	DWG SIZE	CODE SHEET 1 OF 1
SCALE	2X WT			