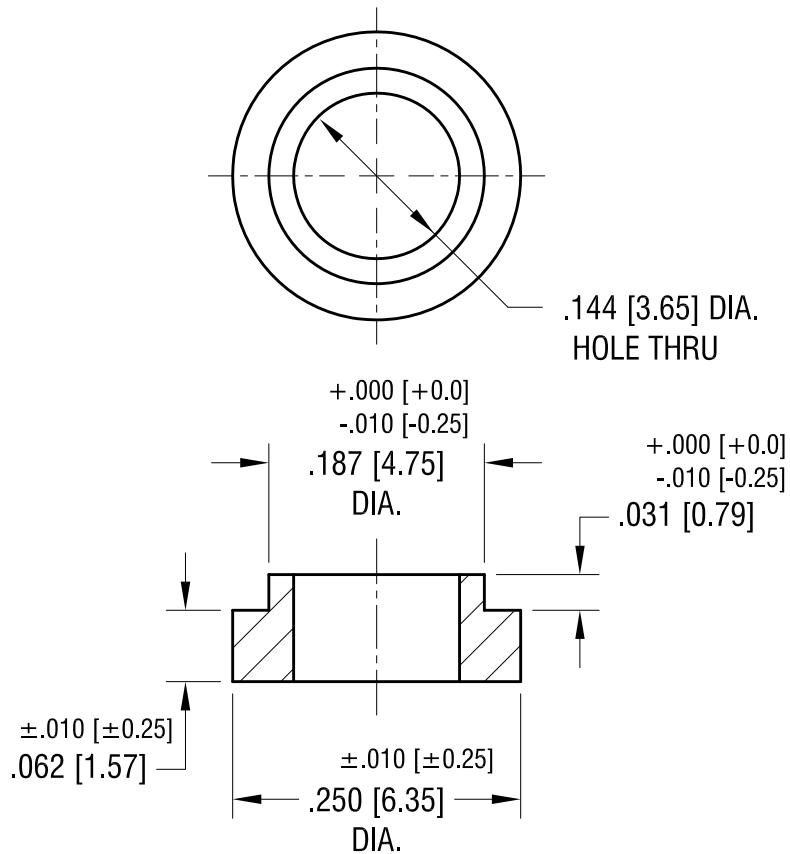


THIS DOCUMENT IS THE PROPERTY OF  
KEYSTONE ELECTRONICS CORP. AND  
SHALL NOT BE REPRODUCED, DISTRIBUTED  
OR USED AS A BASIS FOR MANUFACTURE  
WITHOUT PRIOR WRITTEN PERMISSION  
FROM KEYSTONE ELECTRONICS CORP.



**KEYSTONE ELECTRONICS CORP.**

www.keyelco.com • ASTORIA, N.Y. 11105-2017 • Tel (718) 956-8900

PART NAME

FIBRE SHOULDER WASHER

MATERIAL

VULCANIZED FIBRE

FINISH

DRN BY

BOONE

DATE

2.11.82

APP'D

LN

SCALE

6X

1.3.94

REVISED

A

TOLERANCES

INCH [MM]

CODE

DWG NO.

DECIMAL  $\pm .005 [\pm 0.13]$

C

ANGULAR  $\pm 1^\circ$   
UNLESS OTHERWISE SPECIFIED

4698

DATE

DESCRIPTION

REV.