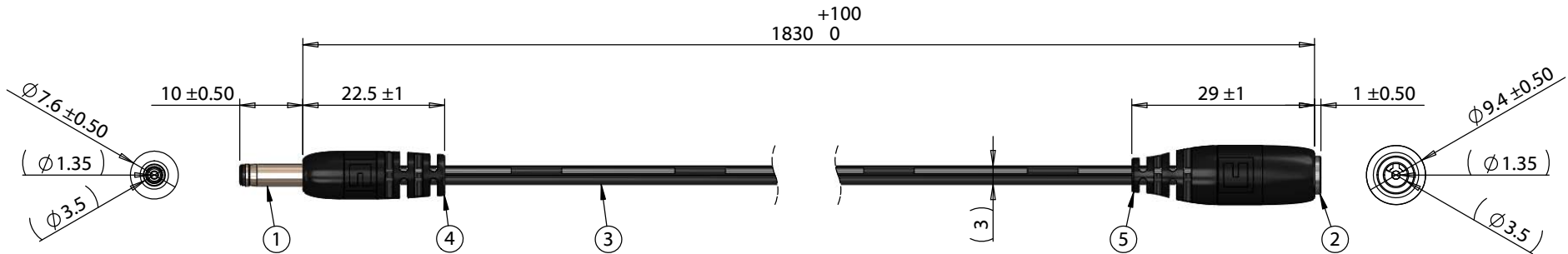


ITEM NO.	PART NUMBER	DESCRIPTION	QTY.	COMPONENT NOTES
1	50-00116	Connector, dc plug, 3.5x1.35xL22 mm, brass nickel plated	1	
2	50-00057	Connector, dc jack, 3.5x1.35xL16.5 mm, molding style	1	
3	30-00404	Wire, 2C TS, 24 AWG, UL2468, 300V, 80C, 3.0 mm, VW-1, PVC, 87A	1	
4	24-00002	Overmold, PVC	1	black
5	24-00005	Overmold, PVC	1	black



Notes:
Functionally equivalent components may be substituted

Wiring Diagram		
50-00116	wire color	50-00057
center	black with stripe	center
sleeve	black	sleeve

Revision:	Date:	Description:	Prepared:	Notes: RoHS and REACH compliant Function test: no open, no short circuit, no intermittent	<h1>TENSILITY</h1> <p>tel 1.541.323.3228 800 877.670.7118 fax 1.541.323.4202 web tensility.com</p>
A	01/26/2018	Initial release	Verified:		
			Dimensions are in millimeters. Tolerances: X: ± 0.5 mm X.X: ± 0.3 mm X.XX: ± 0.05 mm	Description:	Size: Part number:
				Cable, 1830 mm, 3.5x1.35x10 mm 50-00116 dc plug to 3.5x1.35 mm 50-00057 dc jack, 24 AWG, UL2468	A 10-02524
				Scale: 1:1	Sheet 1 of 1

5

4

3

2

1