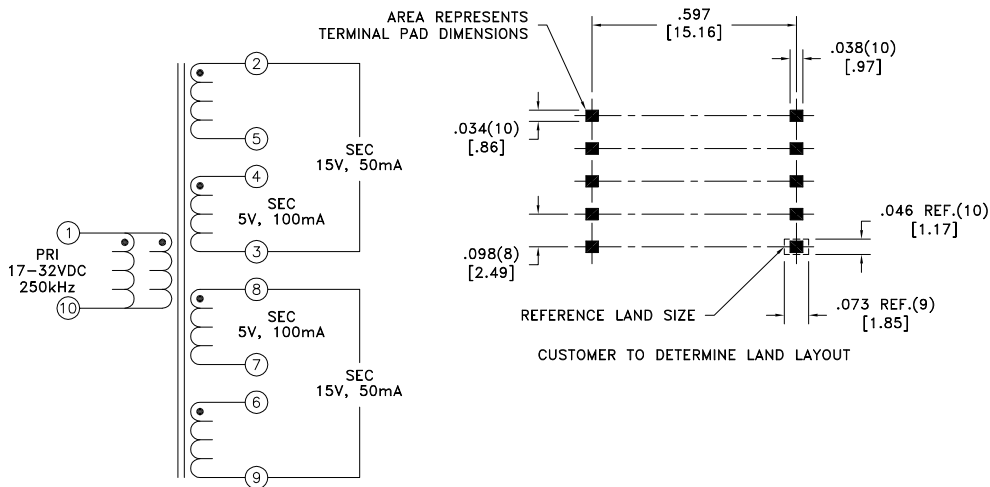
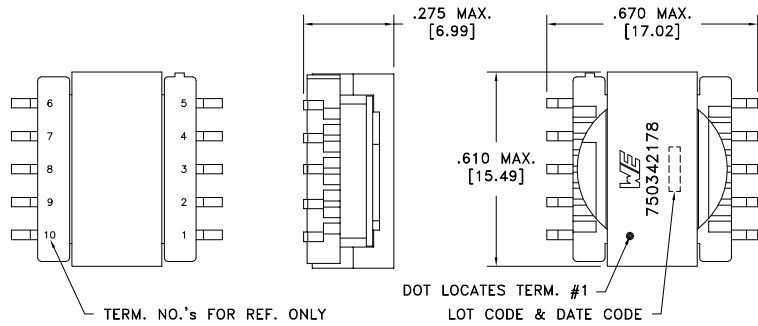


| | | |
|-------------------|------|---------------|
| CUSTOMER TERMINAL | RoHS | LEAD(Pb)-FREE |
| Sn96%, Ag4% | Yes | Yes |

more than you expect



ELECTRICAL SPECIFICATIONS @ 25°C unless otherwise noted:

| PARAMETER | TEST CONDITIONS | VALUE |
|--------------------|--|-----------------|
| D.C. RESISTANCE | 1-10 @20°C | 0.150 ohms max. |
| D.C. RESISTANCE | 4-3 @20°C | 0.149 ohms max. |
| D.C. RESISTANCE | 8-7 @20°C | 0.149 ohms max. |
| D.C. RESISTANCE | 4-5 tie(2+3), @20°C | 0.900 ohms max. |
| D.C. RESISTANCE | 6-7 tie(8+9), @20°C | 0.900 ohms max. |
| INDUCTANCE | 1-10 10kHz, 100mVAC, Ls | 50.0uH ±10% |
| SATURATION CURRENT | 20% rolloff from initial | 1.5A |
| LEAKAGE INDUCTANCE | 1-10 tie(2+3+4+5+6+7+8+9), 100kHz, 100mVAC, Ls | 2.0uH max. |
| DIELECTRIC | 1-7 tie(4+5+6+7), 1500VAC, 1 second | - |
| URNS RATIO | (1-10):(4-3) | 1.55:1, ±2% |
| URNS RATIO | (1-10):(8-7) | 1.55:1, ±2% |
| URNS RATIO | (6-7):(1-10), tie(8+9) | 1.935:1, ±2% |
| URNS RATIO | (4-5):(1-10), tie(2+3) | 1.935:1, ±2% |

GENERAL SPECIFICATIONS:

OPERATING TEMPERATURE RANGE: -40°C to +125°C including temp rise.

Wire insulation & RoHS status not affected by wire color.
Wire insulation color may vary depending on availability.

DETAILS SUBJECT TO CHANGE

| | | | | | | |
|------|------|--|--|--|-------------------------------------|------------------------------|
| REV. | DATE | Packaging Specifications Method: Tape & Reel PKG-0137 www.we-online.com/midcom | | Tolerances unless otherwise specified: Angles: ±1° Fractions: ±1/64 Decimals: ±.005 [.13] Footprint: ±.005 [.13] | DRAWING TITLE TRANSFORMER | PART NO. 750342178 |
| 6A | 3/14 | SEE REVISION SHEET FOR REVISION LEVEL | | This drawing is dual dimensioned. Dimensions in brackets are in millimeters. | eiSos p/n: 750342178 | SPECIFICATION SHEET 1 OF 1 |