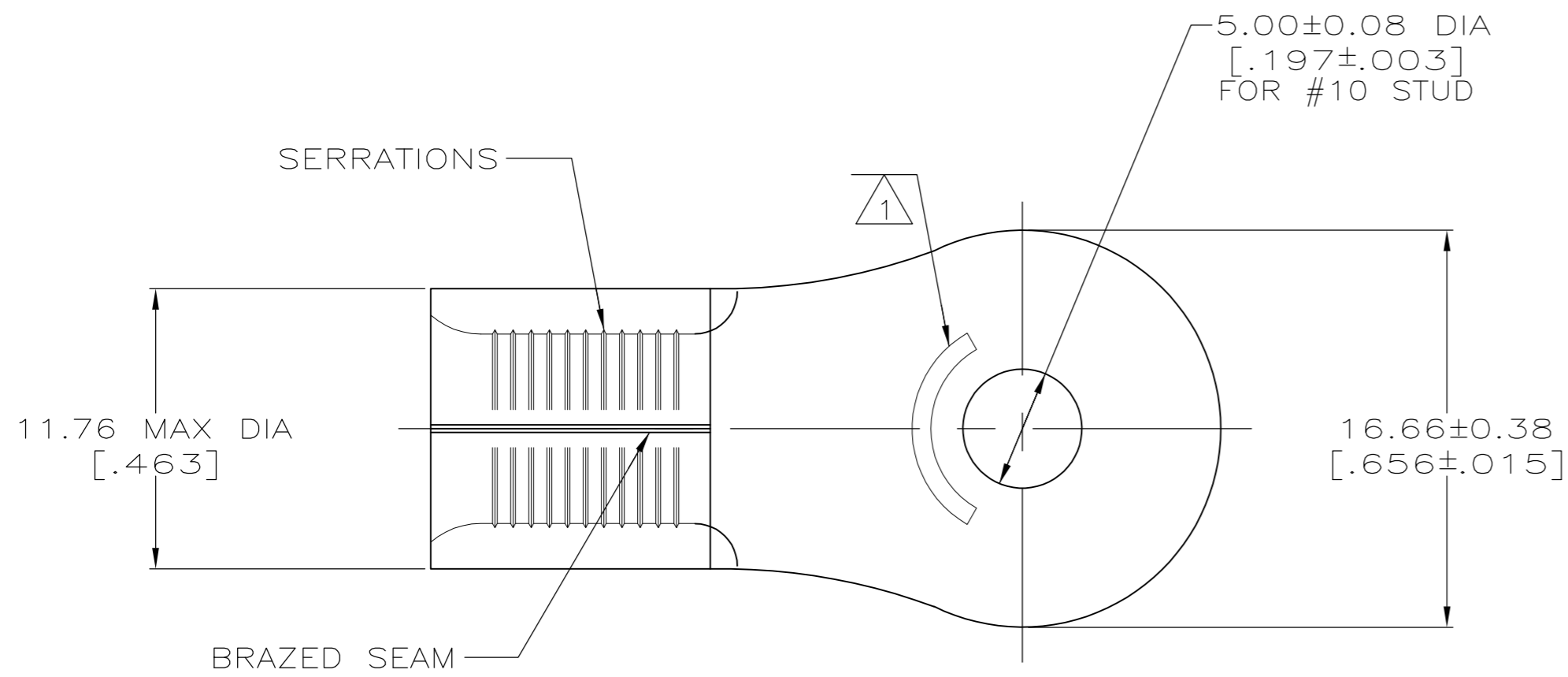


THIS DRAWING IS UNPUBLISHED. RELEASED FOR PUBLICATION  
 © COPYRIGHT - By - ALL RIGHTS RESERVED.

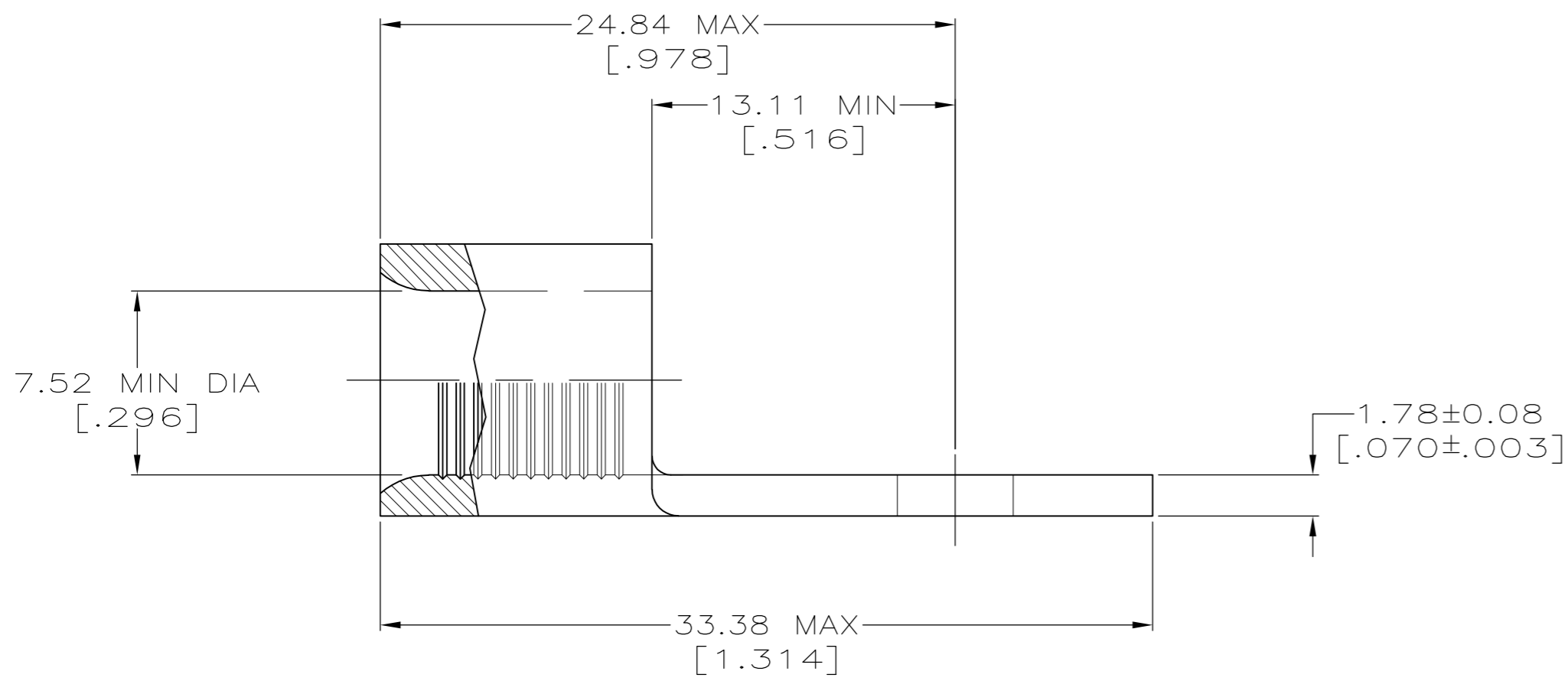
LOC	DIST	REVISIONS			
P	LTR	DESCRIPTION	DATE	DWN	APVD
G	14	H2	REVISED PER ECO-11-004917	11MAR11	RK HMR



**AMP**  
WIRE RANGE

4 AWG  
SOLID OR STRANDED

- 1 STAMP AMP 4\* APPROX AS SHOWN
- 2 UL LISTED E13288, 4 AWG STRANDED
- 3 CSA CERTIFIED LR7189, 4 AWG SOLID OR STRANDED
- 4 TIN PLATE 0.00254 [.000100] MIN THK PER ASTM B545
- 5 TIN-LEAD (60-40) PLATE 0.00254 [.000100] MIN THK PER SAE-AMS-P-81728
- 7 PRELIMINARY - NOT FOR PRODUCTION



APPROVALS	FINISH	QTY	PACKAGE TYPE	PART NO.
2 3	4	25	LOOSE PIECE, BOX	8-33468-3
---	5	25	LOOSE PIECE	7 33468-1
2 3	4	100	LOOSE PIECE	33468

THIS DRAWING IS A CONTROLLED DOCUMENT.		DWN TA BRINKMAN 3-29-93	<b>TE</b> TE Connectivity	
DIMENSIONS: INCHES		CHK DA PATTERSON 3-29-93		
TOLERANCES UNLESS OTHERWISE SPECIFIED:		APVD JL MECKLEY 3-29-93	NAME TERMINAL, RING TONGUE, SOLISTRAND	
0 PLC ± - 1 PLC ± - 2 PLC ± - 3 PLC ± - 4 PLC ± - ANGLES ± -		PRODUCT SPEC ---	SIZE A2	
MATERIAL ASTM B152		FINISH SEE TABLE	WEIGHT -	CAGE CODE 00779
		FINISH SEE TABLE	WEIGHT -	DRAWING NO C-33468
		FINISH SEE TABLE	WEIGHT -	RESTRICTED TO -
		FINISH SEE TABLE	WEIGHT -	SCALE 4:1
		FINISH SEE TABLE	WEIGHT -	SHEET 1 of 1
		FINISH SEE TABLE	WEIGHT -	REV H2
		FINISH SEE TABLE	WEIGHT -	CUSTOMER DRAWING