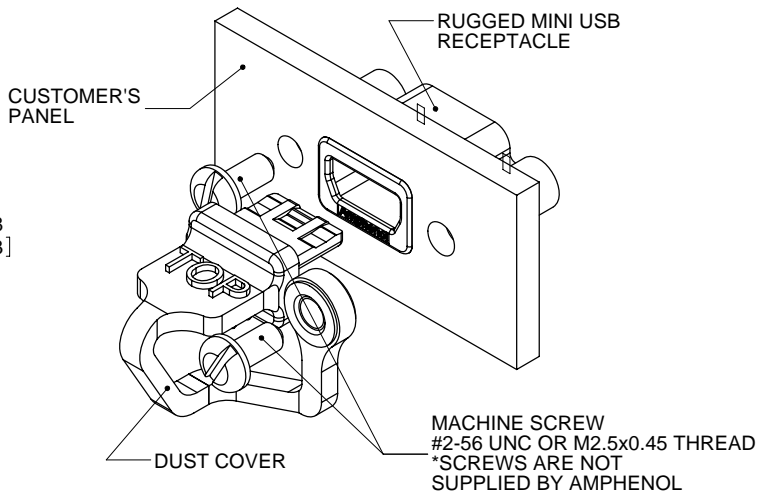
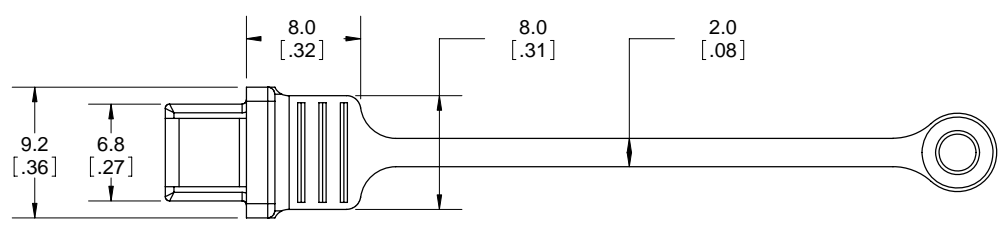
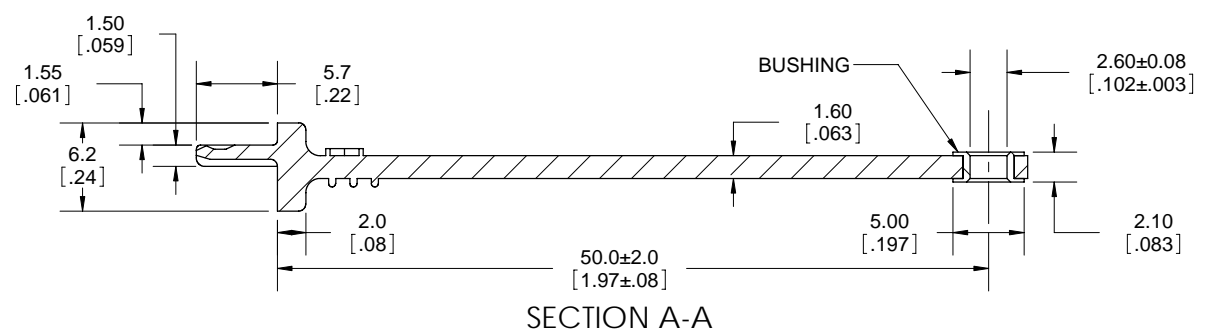
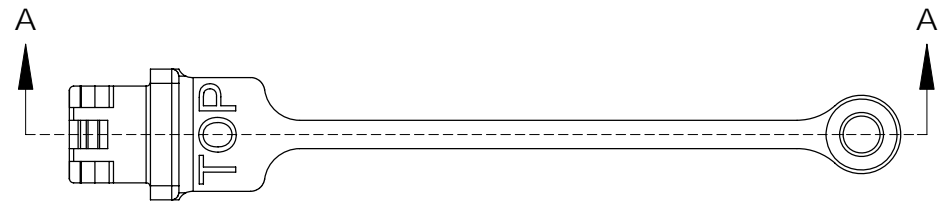


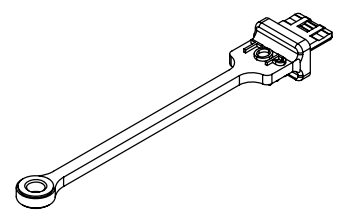
REVISIONS			
REV.	DESCRIPTION	DATE	APPROVED
C	REV PER ECN E09035	MAR31/09	A.G.



**NOTES**

- MATERIAL:**
  - RUBBER: SILICONE RUBBER, UL94V-0, SEE CHART FOR COLOUR
  - BUSHING: BRASS ALLOY, NICKEL PLATED.
- PART IS RoHS COMPLIANT PER EU DIRECTIVE 2002/95/EC AND AMENDMENTS.

AMPHENOL PART NUMBER	COLOUR
MUSB-2E151-005BP	GREY
MUSB-2E151-015BP	BLACK



**DO NOT SCALE DRAWING**

THIS DOCUMENT CONTAINS PROPRIETARY INFORMATION AND SUCH INFORMATION MAY NOT BE DISCLOSED TO OTHERS FOR ANY PURPOSE OR USED FOR MANUFACTURING PUPOSES WITHOUT PERMISSION FROM AMPHENOL CANADA CORP.



UNLESS OTHERWISE SPECIFIED DIMENSIONS ARE IN MILLIMETERS [INCHES] TOLERANCES ARE:		<b>APPROVALS</b>		<b>DATE</b>		<b>Amphenol Canada Corp.</b>	
DECIMALS X.X ± 0.3 ANGLES ± 1°		DRAWN LAWRENCE KIM		JUNE04/07			
X.XX ± 0.10		DESIGNED LAWRENCE KIM		JUNE04/07		MUSB SERIES, DUST COVER FOR MINI USB, RoHS COMPLIANT	
MATERIAL AND FINISH N/A		CHECKED					
REF. X		QA APPD		IE APPD		SCALE 2:1 PROJECT SHEET 1 OF 1	
CODE IDENT. NO. 03554		DWG APPD A.GREEN		JUNE04/07			