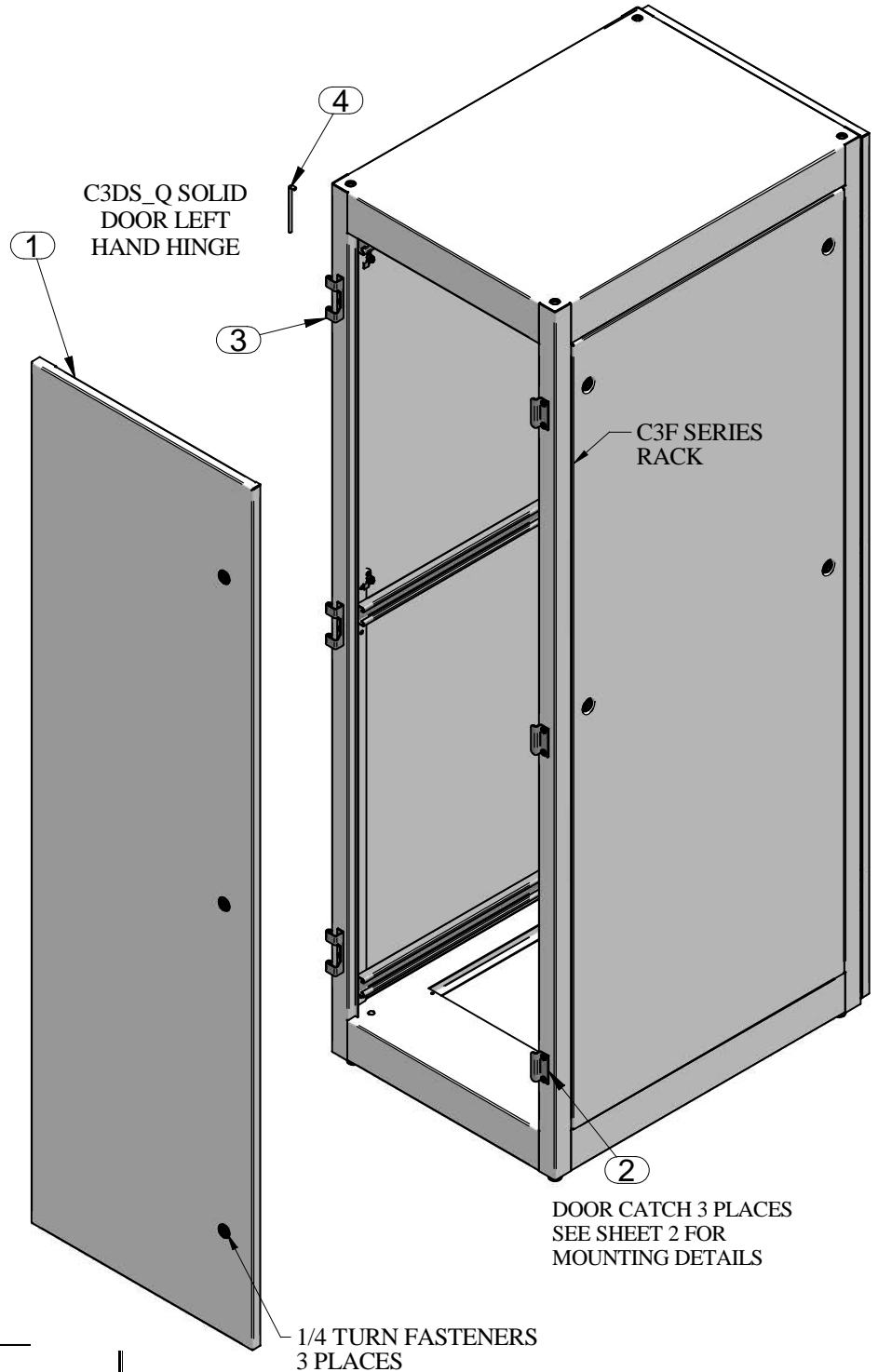


ASSEMBLY INSTRUCTIONS:

- A) Note: Doors (item 1) can be mounted on front and rear of rack.
- B) Mount door catch (item 2) and hinge body (item 3) as per instructions on page 2.
- C) Position door so that mating part of hinge barrel on door aligns with the hinge barrels on body. Slip hinge pins (item 4) thru barrels and secure with a light tap from hammer.
- D) Rotate 1/4 turn lock on door to open position then close and check that cam catches behind door catch. Adjust door catch if necessary.



PARTS LIST

| ITEM No. | DESCRIPTION | QTY |
|----------|-----------------------|-----|
| 1 | SOLID DOOR (1/4 TURN) | 1 |
| 2 | DOOR CATCH | 3 |
| 3 | HINGE BODY | 3 |
| 4 | HINGE PIN | 3 |

TOOL BOX



1/4 Slotted Head
Screw Driver

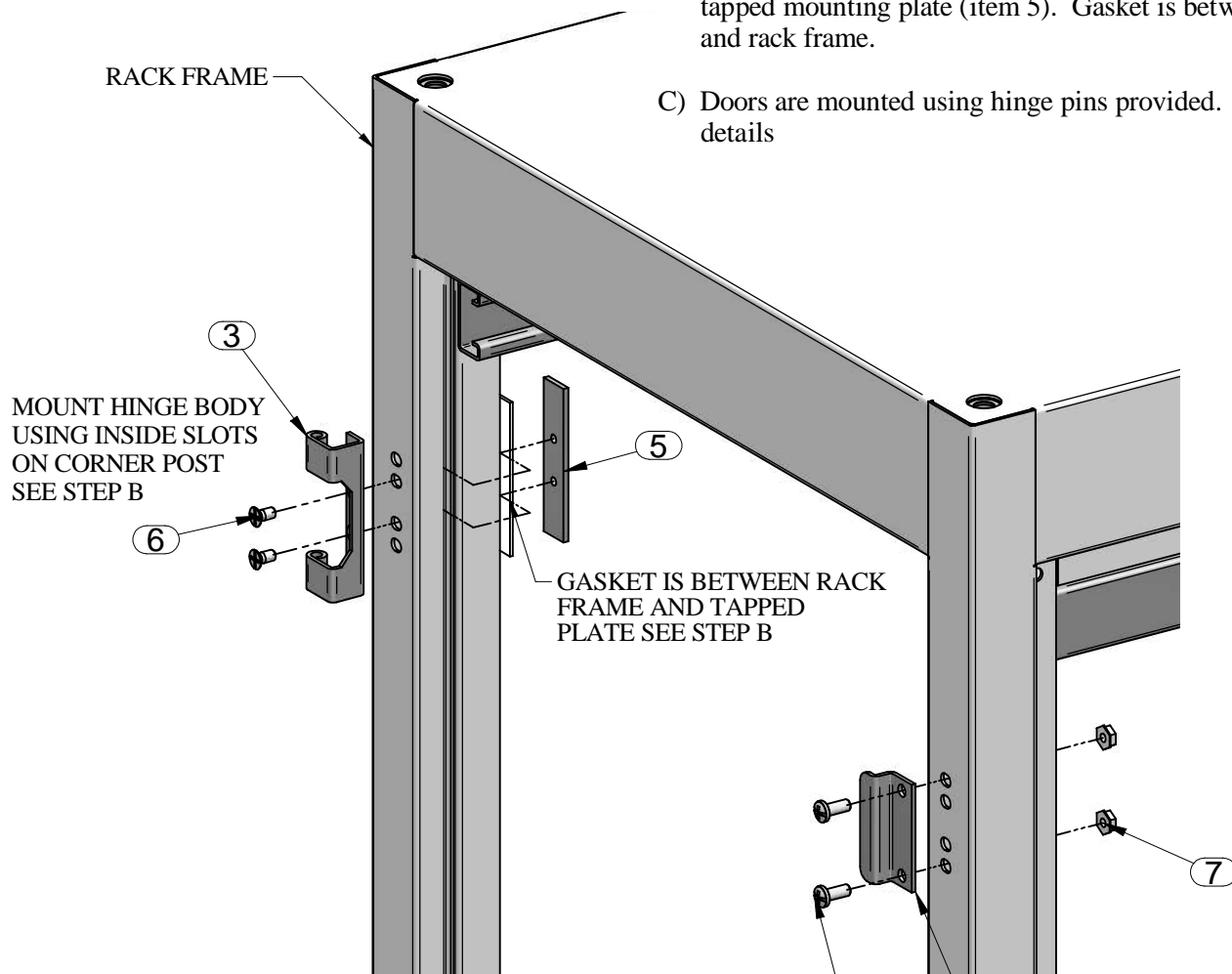


Hammer



ASSEMBLY INSTRUCTIONS:

- A) Mount door catch (item 2) to right side of rack frame as shown. Mount thru outside slots in frame using 1/4-20 screws and KEP nuts (item 7 & 8),
- B) Mount hinge body (item 3) to left side of rack frame as shown. Mount thru inside slots in frame using M6 screws (item 6), and tapped mounting plate (item 5). Gasket is between MTG plate and rack frame.
- C) Doors are mounted using hinge pins provided. See page 1 for details



PARTS LIST

| ITEM No. | DESCRIPTION | QTY |
|----------|-----------------------------------|-----|
| 1 | SOLID DOOR (1/4 TURN) | 1 |
| 2 | DOOR CATCH | 3 |
| 3 | HINGE BODY | 3 |
| 4 | HINGE PIN (SHOWN ON PAGE 1) | 3 |
| 5 | TAPPED MOUNTING PLATE WITH GASKET | 3 |
| 6 | M6-1 X 12mm FLAT HD SCREW | 6 |
| 7 | 1/4-20 KEP NUT | 6 |
| 8 | 1/4-20 X 5/8 RD HD SCREW | 6 |

TOOL BOX



1/4 Slotted Head
Screw Driver



Hammer



3/8 or 7/16 Socket
Wrench

