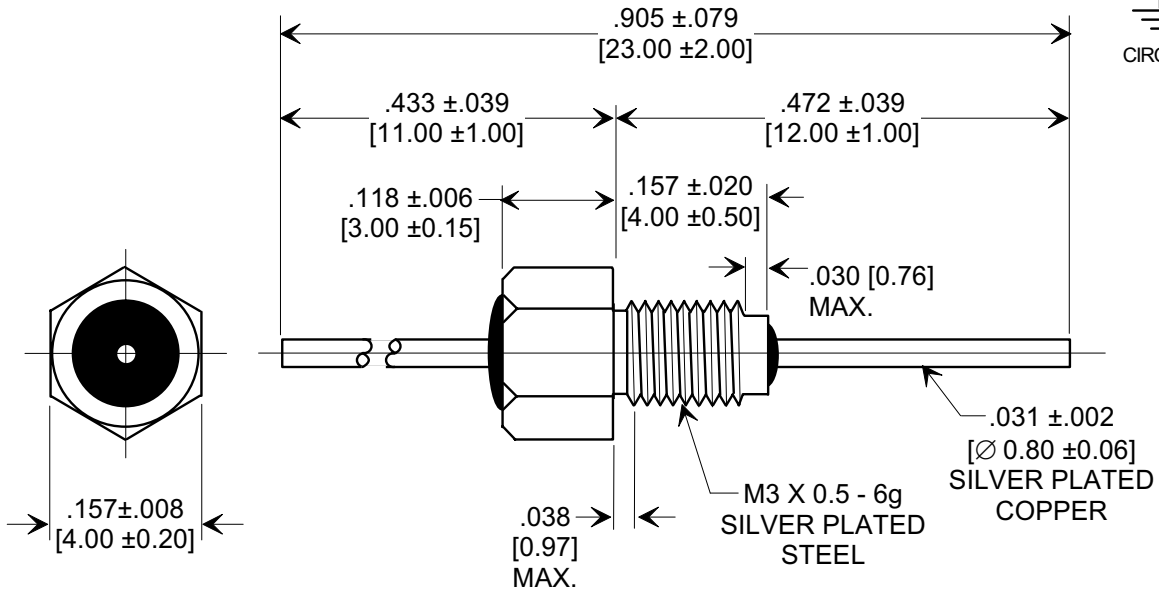
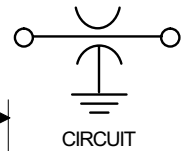
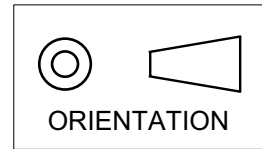
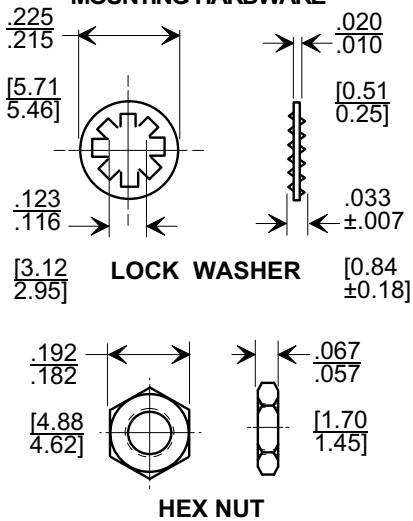


MARKETING SALES DRAWING
DIMENSIONS IN INCHES - DO NOT SCALE THIS DRAWING
DIMENSIONS IN METRIC []

Electrical Testing
per Tusonix standard
test plans and Mil-Std-202
Test Methods.



MOUNTING HARDWARE



NOTES:

1. TUSONIX STANDARD PART NUMBER: 4400-098.
TUSONIX RoHS COMPLIANT PART NUMBER: 4400-098 LF.
CUSTOMER MUST SPECIFY STANDARD OR RoHS PART NUMBER WHEN ORDERING.
2. MATERIAL: BUSHING; SILVER PLATED. LEAD; SILVER PLATED.
3. PART MARKING: TRADEMARK AND VARIATION NUMBER ON HEX FLATS. STANDARD PART: BLACK INK. RoHS PART: GREEN INK.
4. OPERATING TEMP. RANGE: -55°C TO +125°C.
5. MAX. RECOMMENDED SOLDERING TEMPERATURE : 260° C.
6. SUPPLIED WITH SILVER PLATED INTERNAL TOOTH LOCK WASHER.
7. MAX. RECOMMENDED MOUNTING TORQUE : 2.0 Lb. in. [.226 Nm.]

CAP.(pf)	TOLERANCE	DC WORKING VOLTAGE		DC CURRENT (AMPS)	I.R. MIN. @ 100 (VDC)	DWV (VDC)	MIN. NO LOAD INSERTION LOSS (db) @ 25°C PER MIL-STD-220				
		85°C	125 °C				1 MHz	10 MHz	100 MHz	1 GHz	10 GHz
27,000	GMV	70	50	10	40 G Ω	150	10	28	42	65	65

X-2015 Rev-0	REVISION RECORD			TUSONIX TUCSON, ARIZONA	--TOLERANCES-- Unless Otherwise Specified		Title BUSHING STYLE EMI FILTER		
	Original Release C.O. 19981028-4-01	0			DECIMAL ± NOTED				
	REVISED NOTES & ADDED NUT/WASHER. S.M. 01-14-00	1	ORIENTATION SYMBOL ADDED DWV(VDC) 500 DELETED 1 MHz 10 WAS 1MHz ---- L.E. 04-14-00		ANGLES ±		Drawn S.M. 10-29-98	Scale 5 X	
	ADDED IR & DWV. REVISED & ADDED NOTES. S.M. 12-01-05	2			A		Approved J.Mc. 10-29-98		4400-098
20051128-1-18	3								