



CL4790

Industrial 900MHz ConnexLink

User's Manual
Version 1.0



*11160 THOMPSON AVENUE
LENEXA, KS 66215
(800) 492-2320
www.aerocomm.com
sales@aerocomm.com*

Copyright Information

Copyright © 2004 AEROCOMM, Inc. All rights reserved. The information contained in this manual and the accompanying software programs are copyrighted and all rights are reserved by AEROCOMM, Inc. AEROCOMM, Inc. reserves the right to make periodic modifications of this product without obligation to notify any person or entity of such revision. Copying, duplicating, selling, or otherwise distributing any part of this product without the prior consent of an authorized representative of AEROCOMM, Inc. is prohibited.

All brands and product names in this publication are registered trademarks or trademarks of their respective holders.

This material is preliminary

Information furnished by AEROCOMM in this specification is believed to be accurate. Devices sold by AEROCOMM are covered by the warranty and patent indemnification provisions appearing in its Terms of Sale only. AEROCOMM makes no warranty, express, statutory, and implied or by description, regarding the information set forth herein. AEROCOMM reserves the right to change specifications at any time and without notice.

AEROCOMM products are intended for use in normal commercial applications. Applications requiring extended temperature range or unusual environmental requirements such as military, medical life-support or life-sustaining equipment are specifically not recommended without additional testing for such application.

Limited Warranty

For a period of one (1) year from the date of purchase, AEROCOMM warrants the transceiver against defects in materials and workmanship. AEROCOMM will not honor this warranty (and this warranty will be automatically void) if there has been any:

- (1) Tampering, signs of tampering, or opening the transceiver's case.
- (2) Use of AC power adapters and cables other than those originally supplied with the transceivers.
- (3) Repair or attempt to repair by anyone other than an AEROCOMM authorized technician.

This warranty does not cover and AEROCOMM will not be liable for, any damage or failure caused by misuse, abuse, acts of God, accidents, electrical irregularity, or other causes beyond AEROCOMM control, or claim by other than the original purchaser.

FCC Notice



WARNING: This device complies with Part 15 of the FCC Rules. Operation is subject to the following two conditions: (1) This device may not cause harmful interference and (2) This device must accept any interference received, including interference that may cause undesired operation.

RF Exposure/Installation Instructions



WARNING: To satisfy FCC RF exposure requirements for mobile transmitting devices, this equipment must be professionally installed such that the end user is prevented from replacing the antenna with a non-approved antenna. The end user should also be prevented from being within 20cm of the antenna during normal use with the exception of hands, feet, wrists and ankles.

The preceding statement must be included as a CAUTION statement in manuals for OEM products to alert users on FCC RF Exposure compliance.

Caution: Any change or modification not expressly approved by AeroComm could void the user's authority to operate the equipment.

USER'S MANUAL	1
FIGURES	4
TABLES	4
1. CL4790 RF TRANSCEIVER	5
1.1 OVERVIEW	5
1.2 CL4790 SPECIFICATION	6
1.3 CL4790 INTERFACE	7
2. INTERFACING PROTOCOL	10
2.1 RS-232.....	11
2.2 RS-485 (2-WIRE HALF DUPLEX)	12
2.3 HARDWARE FLOW CONTROL	13
3. NETWORK TOPOLOGIES	14
3.1 POINT-TO-POINT	14
3.2 POINT-TO-MULTIPOINT	14
4. CL4790/CN4790 CONFIGURATION UTILITY SOFTWARE	15
4.1 INSTALLATION.....	15
4.2 CL4790/CN4790 SETTINGS.....	15
4.2.1 CL4790 Settings	16
4.2.2 CN4790 Settings.....	22
5. TROUBLESHOOTING	28

Figures

Figure 1- RS-232/RS-485 CL4790 Front View	7
Figure 2- RS-232 CL4790 Back View	8
Figure 3- RS-485 CL4790 Back View	8
Figure 4- CL4790 Mechanical Diagram.....	9
Figure 5- RS-232 Male/Female Connector Pin out	11
Figure 6- DCE to DTE Interface.....	11
Figure 7- DCE to DCE Interface	12
Figure 8- Point-to-Point Network.....	14
Figure 9- Multiple Networks of Point-to-Multipoint CL4790s	14

Tables

Table 1 – DTE, DCE and Null Modem Signal Definitions.....	10
---	----

1. CL4790 RF Transceiver

The CL4790 transceiver is a Frequency-Hopping Spread Spectrum (FHSS) radio designed for license-free operation in the 900MHz ISM band. Out-of-the box, the radio sustains a standard asynchronous serial data stream between two or more radios. Housed in a compact and rugged die-cast enclosure, the radio is equipped to replace thousands of meters of serial cable with its wireless link. The radio features an RS-232 or RS-485 interface for integration into legacy data systems.

Features

- ✓ Masterless: True peer-to-peer, each module can communicate with any other module within its range.
- ✓ API commands to control packet routing and acknowledgement on a packet-by-packet basis
- ✓ Durable Industrial grade enclosure
- ✓ Transparent operation, supports any legacy system
- ✓ Transmits around corners, through walls
- ✓ Reliable communication up to 115.2Kbps
- ✓ Point-to-Point and Point-to-Multipoint setups

1.1 *Overview*

The CL4790 uses Frequency Hopping Spread Spectrum modulation, where the units "hop" from frequency to frequency many times per second using a specific hop pattern applied to all the transceivers in the same network. A distinct hopping pattern is provided for each Channel Number, thereby allowing multiple networks to co-exist in the same area without interference.

CL4790 transceivers operate in a Masterless architecture. The unique feature of this architecture is its dynamic Session extension and Collision Avoidance mechanism, which uses a proprietary scoring system to promote contention free communication and ensure that each node has fair access to the network. This instinctive dynamic peer-to-peer networking architecture enables several transceiver pairs to carry on simultaneous conversations on the same network.

CL4790s implement a proprietary communication protocol to provide secure data transmissions. As it uses FHSS technology, the data remains reliable over long distances. Use of license free frequency bands ensure that the units are ready to use with no further certification requirements.

Each unit is small and easily portable for use in mobile and temporary settings as well as for fixed installations. The CL4790 configuration software enables custom configurations based on unique application requirements.

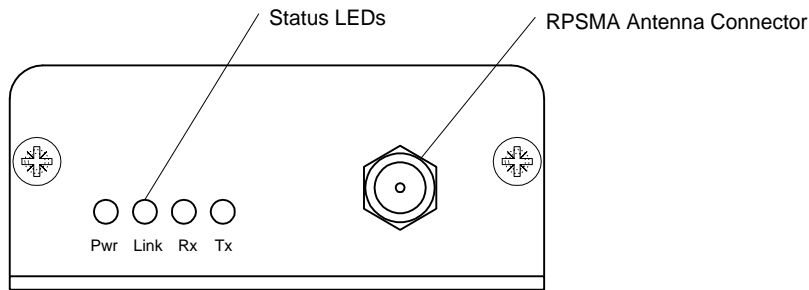
1.2 CL4790 Specification

Specifications	CL4790 - 1000
TRANSCEIVER PERFORMANCE	
Output power	1000mW
Transmission range	Up to 1500 feet (450m) indoors; Up to 20 miles (32 km) line-of-sight
Data rate	Up to 115.2 Kbps
RF Data Rate	76.8kbps fixed
Receiver Sensitivity	-100dBm typical @ 76.8kbps RF Data Rate
Power Consumption (@ 12 Vdc)	400mA
Configuration software	Easy-to-use Windows based software
NETWORKING AND SECURITY	
Frequency band, RF Technology	902 – 928, FHSS (USA); 915-928, FHSS (Australia)
Supported Network Topologies	Point-to-Point, Point-to-Multipoint
Channels	32
Security	One byte System ID. 56-bit DES encryption key.
ANTENNA	
RF Connector	RPSMA Jack
Type	1/2 Wave Dipole
ELECTRICAL	
Electrical requirements	Line voltage 100 – 120V (240V outside US);
Power supply	6-foot cable, AC power connector
ENVIRONMENTAL	
Environmental conditions	Operating temperature -40° to +80°C; 10% to 90% humidity (non-condensing)
PHYSICAL	
Dimensions	4.4 x 2.7 x 1.4 inches
Weight	6 oz (170 g)
Serial Connector	DB-9 Male (RS-232), Terminal Block (RS-485)
Serial Cord length	6 feet (183 cm)

1.3 CL4790 Interface

The CL4790 supports RS-232/RS-485 (2-wire Half Duplex) protocols. By definition, RS-485 protocol can tolerate high noise and push signals over long cable lengths. When using cables, RS-485 will communicate as far as 4000feet (1200m) and offer multi-drop capability where up to 32 nodes may be connected. RS-232 cables are suitable for distances less than 100 feet (30.5m). AeroComm wireless solutions are not subject to the cabling restrictions for distance, but either interface (RS-232 or RS-485) is available when ordering the CL4790s.

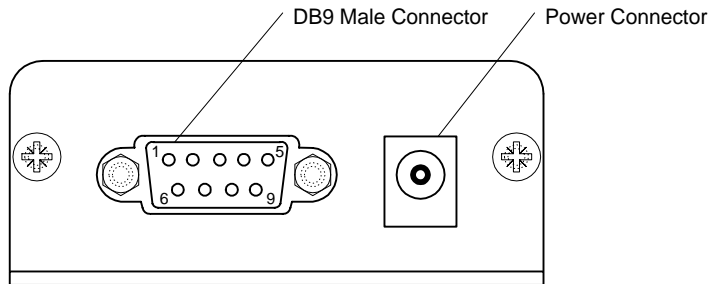
Figure 1- RS-232/RS-485 CL4790 Front View



CL4790 Status LEDs		
LED	Color	Description
Pwr	Green	On indicates that the unit is powered up.
Link	Red	On indicates the transceiver units are in range of one another.
Rx	Green	When flashing, LED indicates CL4490 unit is receiving data.
Tx	Red	When and flashing, LED indicates CL4490 unit is sending data.

RS-232 Pin Assignments

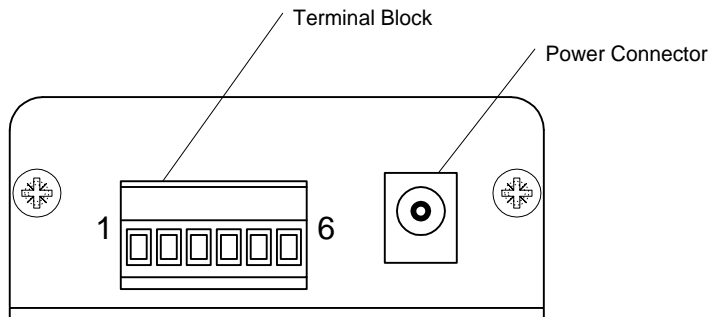
Figure 2- RS-232 CL4790 Back View



Pin	Description
1	DCD
2	TxD
3	RxD
4	DSR
5	GND
6	DTR
7	CTS
8	RTS
9	RI

RS-485 (2-wire Half Duplex) Terminal Block Pin Assignments

Figure 3- RS-485 CL4790 Back View

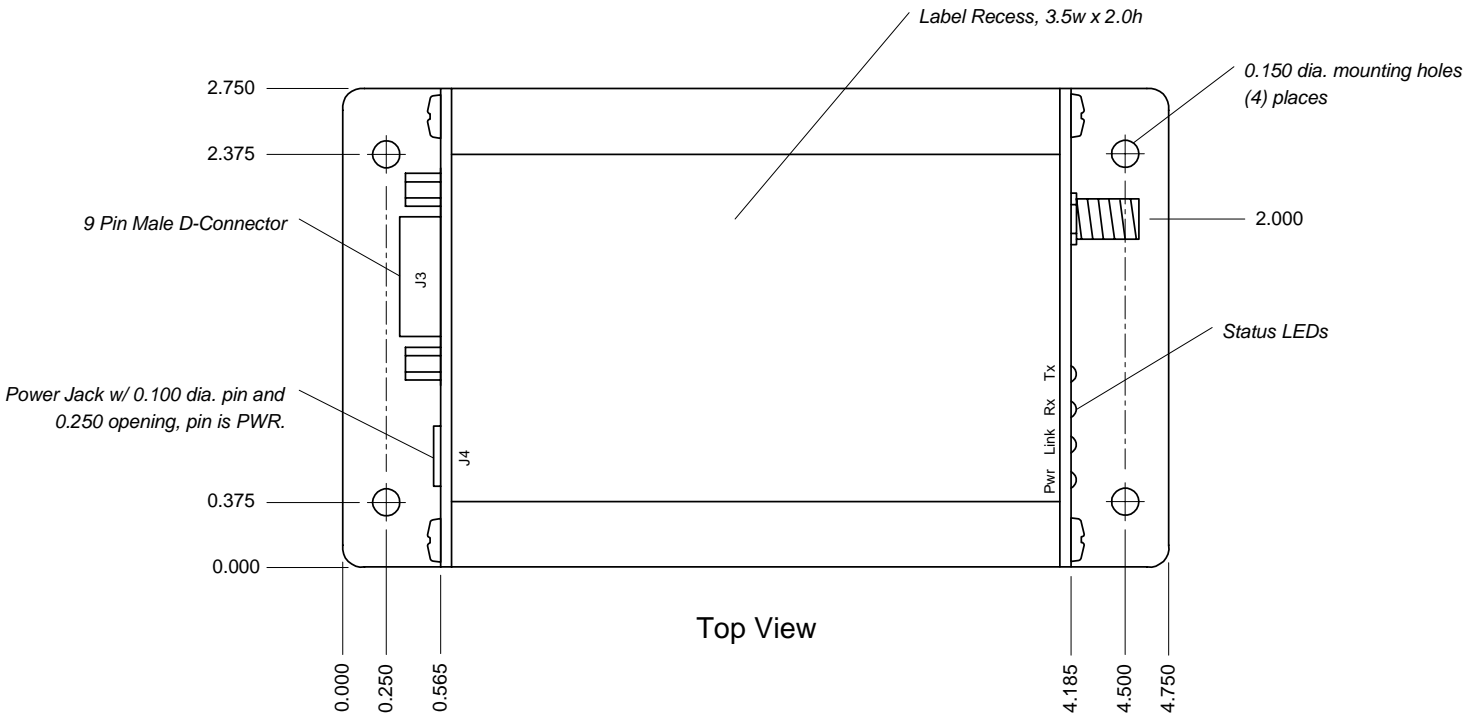
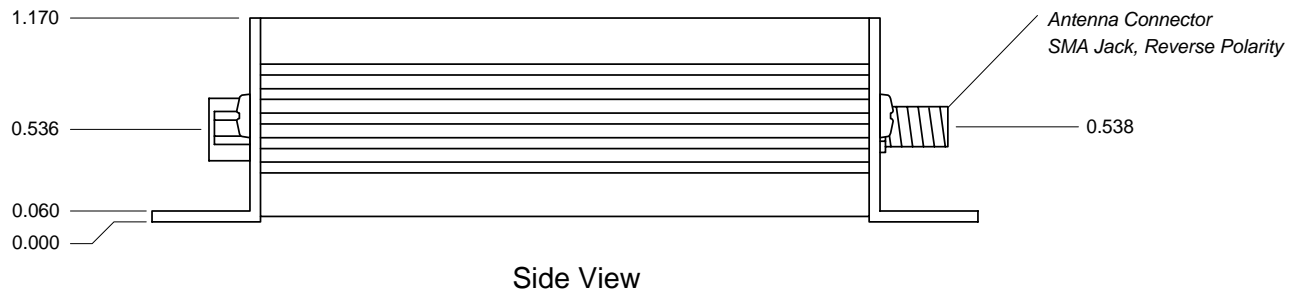


Pin	Description
1	VCC (6V-18V)(1.3 A Required)
2	485- (485B)
3	No Connect
4	No Connect
5	485+ (485A)
6	GND

Note: Standard power is applied through the power connector. Alternative power is available via the terminal block pins.

CL4790 Mechanical Diagram

Figure 4- CL4790 Mechanical Diagram



Note: All dimension in inches unless noted

2. Interfacing Protocol

The CL4790 is a DCE (Data Communications Equipment). A DCE can be interfaced to a DTE using a straight through serial cable (the serial cable provided with the CL4790 is a straight through cable). Typically, PC's are defined as a DTE and peripherals are defined as DCE. To interface a DCE with another DCE, or a DTE with another DTE, a null modem (or a Crossover) cable is required. The null modem simply swaps pins to convert a DCE to a DTE and vice-versa. A null modem cable can be provided with the CL4790 on request.

The CL4790 transceivers support the following interface protocols

- RS-232
- RS-485 (2-wire) Half Duplex

Table 1 – DTE, DCE and Null Modem Signal Definitions

DCE Pin Number	DCE Signal Name	DCE Direction	DTE Pin Number	DTE Signal Name	DTE Direction	Null Modem Female DB9	Null Modem Male DB9
1	DCD	O	1	DCD	I	1	NC
2	TXD	O	2	RXD	I	2	3
3	RXD	I	3	TXD	O	3	2
4	DTR	I	4	DTR	O	4	6
5	GND		5	GND		5	5
6	DSR	O	6	DSR	I	6	4
7	RTS	I	7	RTS	O	7	8
8	CTS	O	8	CTS	I	8	7
9	RI	O	9	RI	I	9	NC

2.1 RS-232

RS-232 is a single ended data transmission protocol. The RS-232 signals are represented by voltage levels with respect to a system common (power / logic ground). The "idle" state (MARK) has the signal level negative with respect to common, and the "active" state (SPACE) has the signal level positive with respect to common. RS-232 has numerous handshaking lines (primarily used with modems), and also specifies a communications protocol.

Figure 5- RS-232 Male/Female Connector Pin out

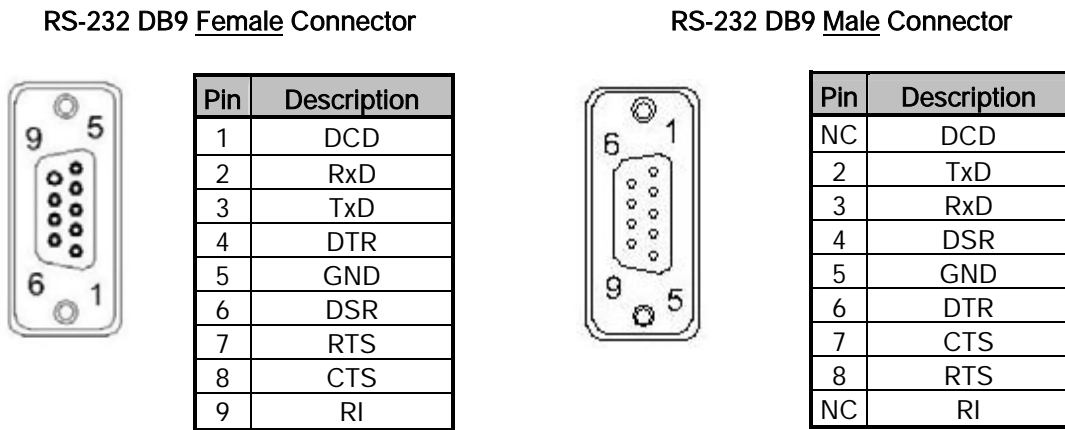


Figure 6- DCE to DTE Interface

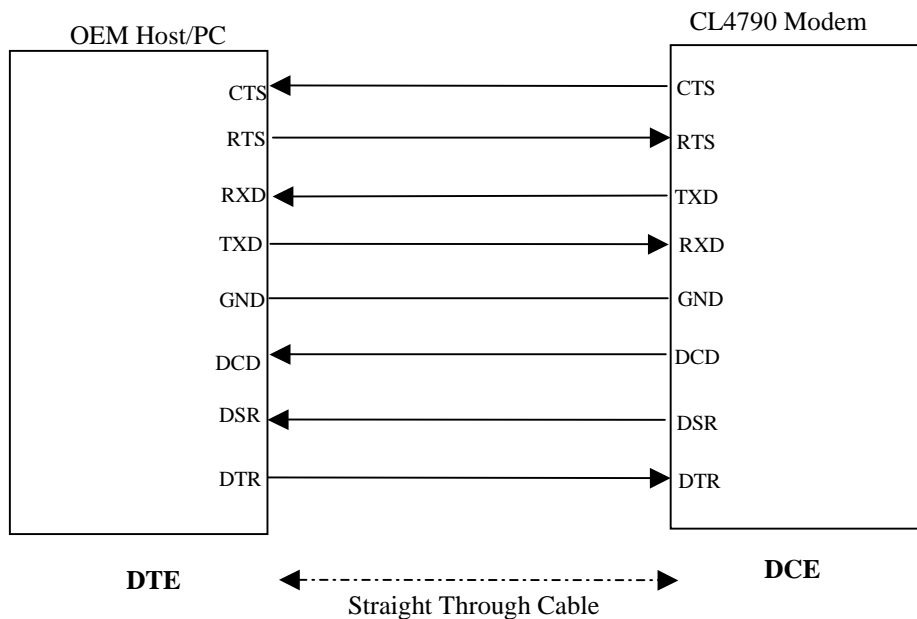
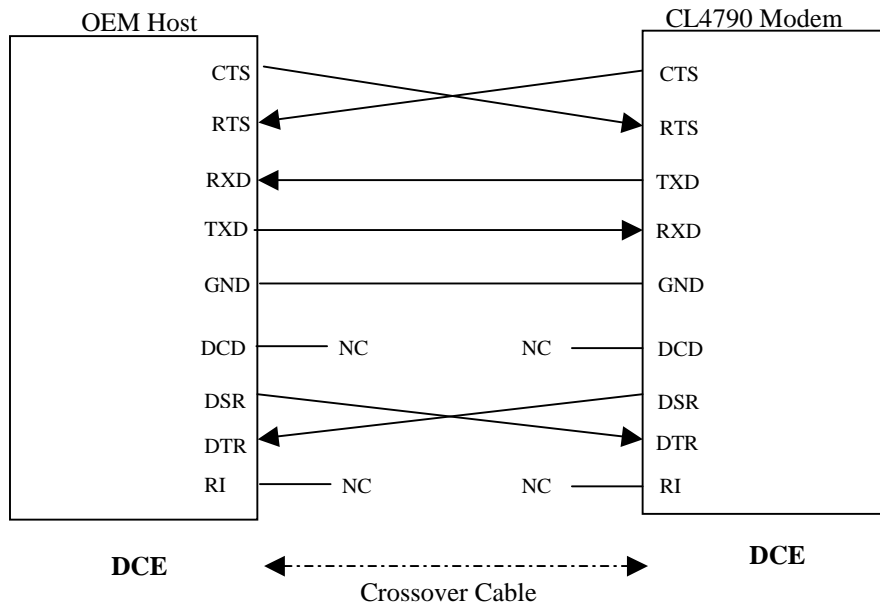


Figure 7- DCE to DCE Interface



Note: The Straight Through Cable provided with the CL4790 has female connectors on both ends and the Crossover cable has a male connector at one end and a female connector at the other end. Please use a male-to-male adapter or female-to-female adapter wherever required. Using a null modem adapter with a Crossover cable is equivalent to using a Straight Through cable.

2.2 RS-485 (2-wire Half Duplex)

The RS-485 interface uses a Differential Data Transmission that can help nullify the effects of ground shifts and induced noise signals that can appear as common mode voltages on a network.

The CL4790 implements a RS-485 (2-wire Half Duplex) multi-drop interface. Typically, a RS-485 bus will consist of a master and several slaves. The nodes will have unique addresses and can send addressed packets to specific nodes. Because the bus is half duplex, no two nodes should try to talk at the same time. The CL4790 does not have a RS-485 address, therefore, it will transmit all RS-485 traffic over the RF. Conversely, as soon as a CL4790 receives a packet over the RF, it will transmit the packet over the RS-485 bus.

Note: When using RS-485 (2-wire Half Duplex), a RS-485 to RS-232 converter is required to configure the unit. AeroComm recommends a B&B Electronics 4WSD9R converter to translate RS-485 to RS-232.

2.3 Hardware Flow Control

Flow control refers to the control of data flow between the host and the CL4790. It is the method used to handle data in the transmit/receive buffer of the CL4790 interface, and determines how data flow between the host and the CL4790 is throttled. Often, in serial communication, one device is capable of sending data much faster than the other can receive. Flow control allows the slower device to tell the faster device to pause and resume data transmission. **(Flow control CTS and RTS are used by the CL4790 and its Host, locally – NOT over the air. Therefore, one CL4790 cannot tell the other to slow down or speed up as is mentioned above in the paragraph.)**

When the RTS Enable option is selected on the Configuration Utility, the transceivers use hardware flow control to regulate data flow. While using hardware flow control, the transceiver that is ready to receive data sends a **Clear To Send** signal to its host (or the device it is connected to). On the other hand, when a transceiver has something it wants to send to its host, it checks the state of **Ready To Send** and if it is logic low, will send data to its host. If RTS is logic high, it will not send data to its host. These signals are sent apart from the data itself on separate wires. **Note: CTS is always enabled by default. RS-485 Interface does not support Hardware flow control.**

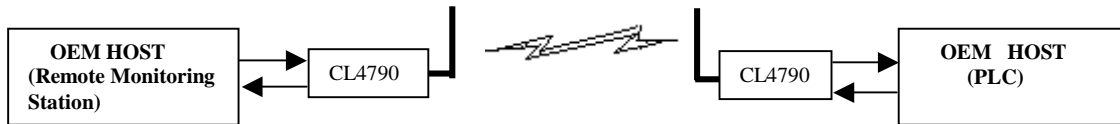
3. Network Topologies

Topology refers to the shape of a network, or the network's layout. How different nodes in a network are connected to each other and how they communicate, is determined by the network's topology. The CL4790s support a Point-to-Point and a Point-to-Multipoint network topology.

3.1 Point-to-Point

A point-to-point system is a simple arrangement consisting of just two CL4790s. Sometimes referred to as a wireless bridge, a point-to-point link replaces a single communications cable. A point-to-point link might be used to connect a PLC to a remote monitoring station.

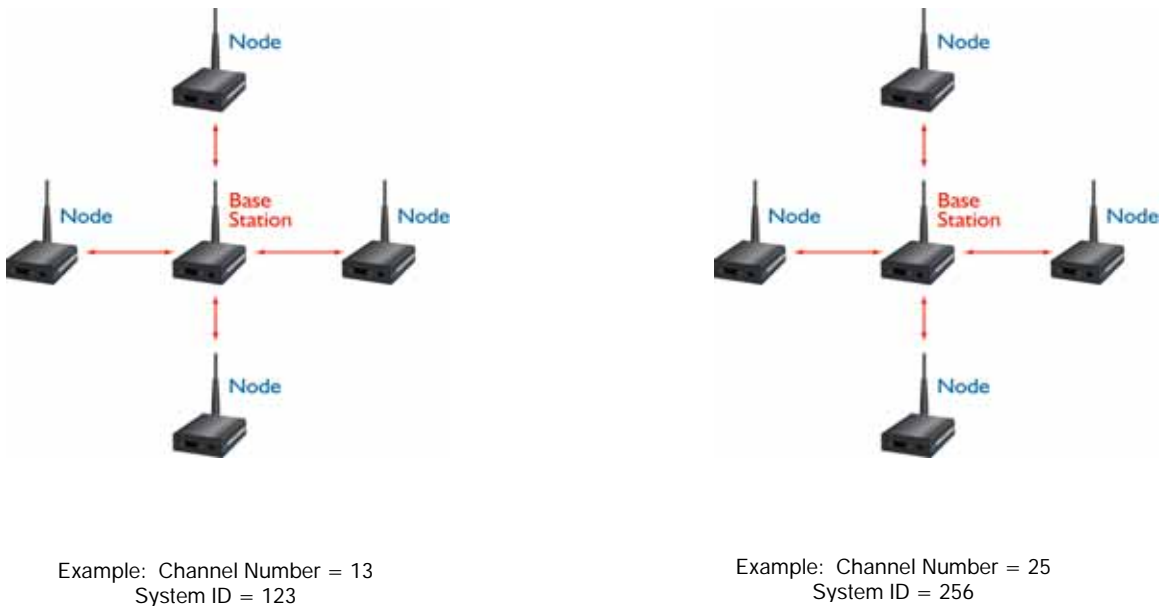
Figure 8- Point-to-Point Network



3.2 Point-to-Multipoint

Point-to-Multipoint systems have one base station, or access point, that controls communications with all of the other wireless nodes in the network. This allows for the creation of a wireless network consisting of multiple nodes. By programming each CL4790 with a network specific Channel Number and System ID multiple networks can be created see (Fig 9).

Figure 9- Multiple Networks of Point-to-Multipoint CL4790s



4. CL4790/CN4790 Configuration Utility Software

AeroComm provides the easy to use CL4790/CN4790 Utility Software for programming the CL4790/CN4790. The GUI based software does not require any hardware configuration and works by itself. The software is compatible with Microsoft® Windows 95, 98, 2000, Me, NT and XP. CL4790/CN4790s are plug-and-play devices that work with minimal or no configuration.

However, users may refer to the AC4790 manual for details about the radio's operation and advanced configuration commands. The SDK Software can be used to evaluate the advanced configuration commands. The SDK Software and AC4790 manual can be found on the Connex Tools and Literature CD or on our website at <http://www.aerocomm.com/>.

Note: The users should refer to the ConnexNet manual for details about the CN4790 interface.

4.1 Installation

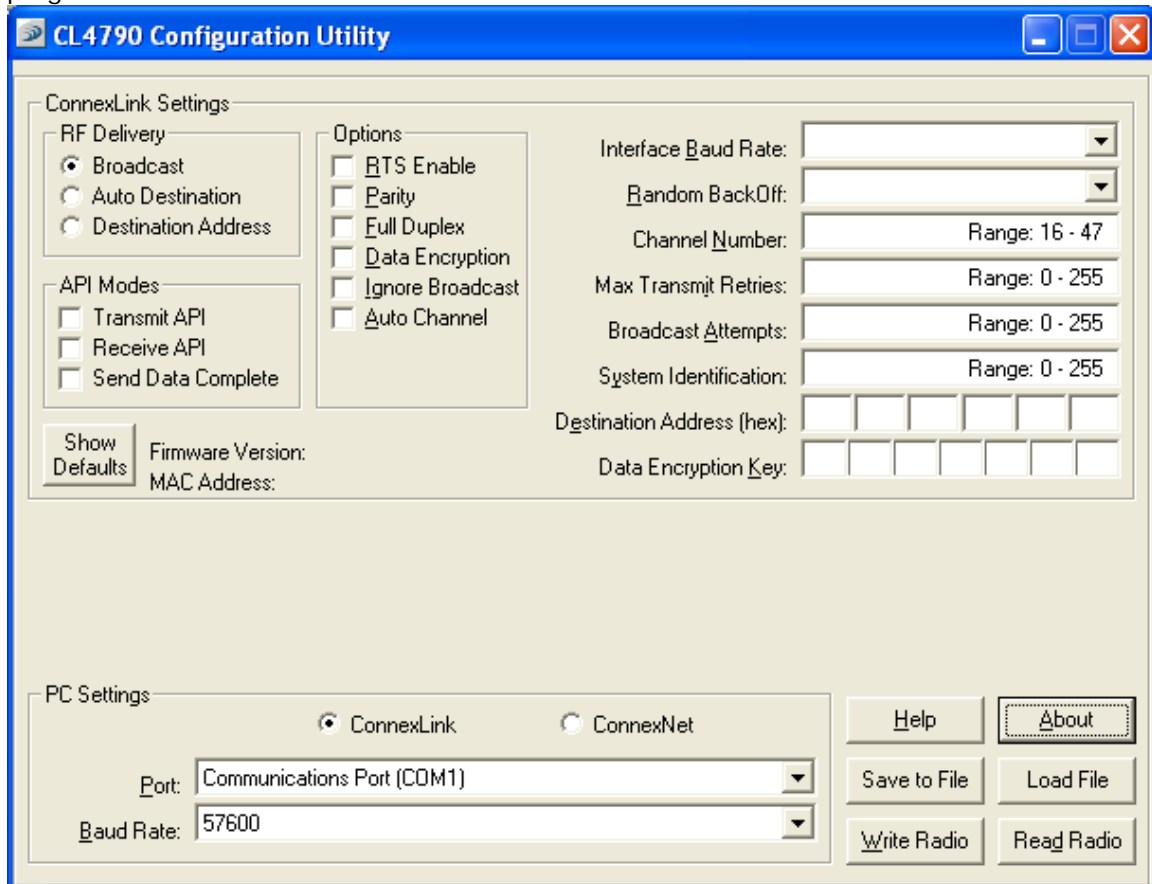
1. Locate the **CL4790 Configuration Utility, 900 MHz** link in the Software section on the Connex Tools & Literature CD. This software is also available at http://www.aerocomm.com/Software/Driver_CL4790_900Mhz_v.1.zip.
2. When prompted, accept the default directory or change to the desired directory where the program files will be installed.
3. When finished, a window will be displayed indicating a successful installation. Select **OK**.

4.2 CL4790/CN4790 Settings

The configuration utility can be used to configure both CL4790 and CN4790. The configuration utility defaults to CL4790 configuration when it is loaded; it can be used to configure the CN4790 by checking the CN4790 check box on the configuration page.

4.2.1 CL4790 Settings

The CL4790 **Settings** Page is shown below, as it will appear the first time the program is run.



4.2.1.1 ConnexLink Settings

Interface Baud Rate: This defines the baud rate used for communicating with the CL4790 over the serial interface. The RF baud rate is fixed at 76.8 Kbps and is independent of the Interface Baud Rate. The default baud rate setting is 57600 bps unless the units have been pre-configured by AeroComm. **The Interface Baud Rate setting of the CL4790 must match the Baud Rate setting of its host device.**

Random Back Off: Random BackOff determines the random amount of time a transceiver waits when a collision occurs before resending the packet again. The amount of randomness is controlled by this parameter.

Channel Number: A number that designates an independent network of CL4790 units. Up to 32 independent networks can be created. The valid range of values for this field is 16 to 47.

Max Transmit Retries: This value represents the maximum number of times a particular data packet will be transmitted unsuccessfully, or without an acknowledgement, before the CL4790 discards the packet. The default value is 4 attempts. If communication is lost and the **Link** LED is on, try increasing this value in small increments until communication is reestablished.

Note: This value is always associated to radios in Point to Point network. The valid range of values for this field is 2 to 255.

Broadcast Attempts: This value represents the number of times a data packet will be transmitted by the CL4790 when in Broadcast mode. The default value is 4 attempts. If communication is lost and the receiving radio's **Link** LED is on, try increasing this value in small increments until communication is reestablished.

Note: This value is always associated to radios in Point-to-Multipoint network. The valid range of values for this field is 2 to 255.

System Identification: A number from 0 to 256 that provides added security to each independent network of CL4790 units. The System ID is used in conjunction with the Channel Number and serves as an RF password to maintain secure transfers of data. The combination of the Channel Number and System ID must be unique to each network of CL4790s to establish communication. Multiple transceivers in the same coverage area must be programmed with different Channel Numbers to prevent inoperability of the networks. The System ID will not prevent inoperability that occurs from locating multiple transceivers with the same Channel Number in the same coverage area.

Important Note: **Separate Collocated CL4790 networks must operate on different Channel Numbers. All units in a given CL4790 network must have identical Channel Numbers and System IDs.**

Data Encryption Key: Encryption is the process of encoding an information bit stream to secure the data content. The DES algorithm is a common, simple and well-established encryption routine. An encryption key of 56 bits is used to encrypt the packet. The receiver must use the exact same key to decrypt the packet; otherwise garbled data will be produced.

Destination Address: The MAC Address of the remote CL4790 in a Point-to-Point network. Used to optimize Point-to-Point communications by utilizing RF Acknowledgement.

Firmware Version: Displays the CL4790's firmware version.

MAC Address: A unique 6 Byte, IEEE 802.3 Ethernet address assigned by AeroComm to each CL4790.

4.2.1.2 RF Delivery

Broadcast: Enables Broadcast mode. When enabled, the transceiver will send its packets to all transceivers on that network.

Auto Destination: Enables Auto Destination mode. When enabled, the transceiver sets its destination address to the address of the radio from which it received a packet first.

Destination Address: Enables Addressed mode. When enabled, the transceiver can send or receive data from a transceiver specified by the Destination Address box in the ConnexLink Settings.

4.2.1.3 Optional Settings

Data Encryption: Enables the Data Encryption Key. All CL4790s in the same network must have the same encryption setting.

RTS Enable: Enables the Request To Send control line. When enabled, enables Hardware Flow Control. Refer to **Section 2.3 Hardware Flow Control**.

Parity: Needs to be enabled if host requires even or odd parity and 8 data bits. This is considered as 9-bit mode. **Note: Enabling Parity cuts the overall throughput into half.**

Full Duplex: This mode the transceivers intelligently shares the bandwidth to enable Full Duplex. Though the RF hardware is still technically half duplex, it makes the transceiver seem full duplex. This can cause overall throughputs to be cut in half. **Note: All transceivers on the same network must have the same setting for Full Duplex.**

Modem Mode: Full modem handshaking is supported by the transceivers when Modem Mode is enabled. Modem Mode is incompatible with RS-485Interface. Enables DCD, DTR, DSR and Ring Indicator control lines.

Ignore Broadcast: When enabled, a transceiver ignores all the broadcast packet it receives.

4.2.1.4 API Mode

API Control is a powerful feature that the Masterless Protocol offers. When enabled, the Transmit API, Send Data Complete and Receive API features provide dynamic packet routing and packet accounting ability to the OEM Host, thereby eliminating the need for extensive programming on the OEM Host side. This ability of the protocol makes it ideal for any legacy system.

Transmit API

When Transmit API is enabled, the OEM Host should use the following format to transmit a packet over the RF.

81h	Payload Data Length (1- 80h)	Session Count Refresh	Transmit Retries/Broadcast Attempts	Destination MAC (2,1,0)	Payload Data
-----	---------------------------------	--------------------------	-------------------------------------	-------------------------	--------------

- 1) If the OEM Host does not encode the header correctly, the transceiver will send the entire string (up to 80h bytes) and will look for the header in the next data.
- 2) Although the 7 bytes of overhead are not sent over the RF, they are kept in the buffer until the packet is sent. Keep this in mind so as to not overrun the 256-byte buffer.
- 3) Setting MAC to FFh FFh FFh will broadcast the packets.

Consider the example of a remote temperature monitoring system where temperature readings are obtained from sensors attached to the transceivers at remote locations. This application may require polling each and every transceiver individually and obtaining the temperature reading. When the Transmit API is enabled the packets are dynamically routed with out requiring any configuration i.e. change the destination address every time the packet is transmitted. This makes it easy when hundreds of transceivers need to be polled.

Send Data Complete

When Send Data Complete is enabled, the transceiver sends the OEM Host the following data upon receiving an RF Acknowledge from the remote transceiver or exhausting all attempts.

82h	00h: Failure 01h: Success	RSSI	RSSI *
-----	------------------------------	------	--------

- 1) The RSSI is how strong the remote transceiver heard the local transceiver, RSSI* is how strong the local transceiver heard the remote transceiver.
- 2) Successful RF Acknowledge updates the Success/Failure bit.
- 3) When the transceiver is transmitting Broadcast Packets it will always return success after exhausting all Broadcast Attempts.
- 4) API Send Data Complete can be used as a software send data complete indicator
- 5) The transceiver could receive a failure even though the packet was received as it could have missed the RF Acknowledge from the remote transceiver.

When the Send Data Complete is enabled an RF Acknowledge is received for every packet that has been transmitted. This would be very useful in cases where the information sent is vital and OEM Host needs to retry and send the message again in case of a failure.

Receive API

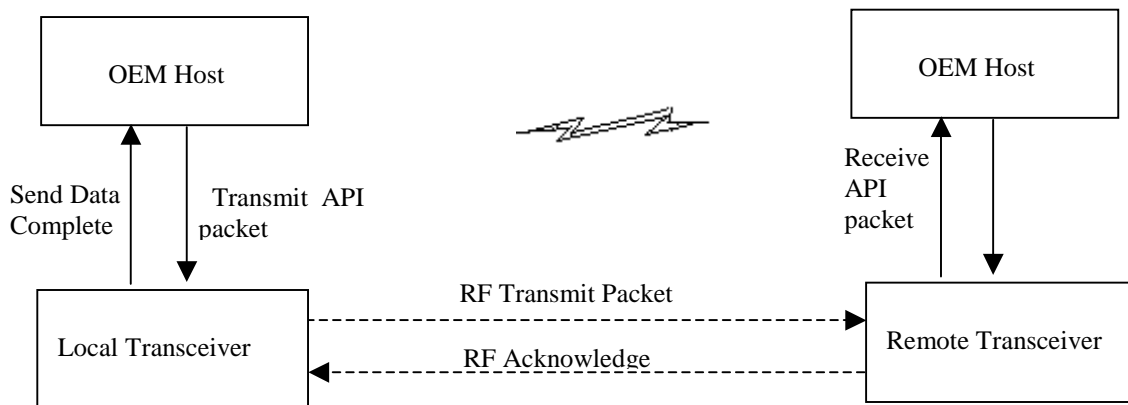
When **Receive API** is enabled; upon receiving a packet the radio sends its OEM Host the packet in the following format.

81h	Payload Data Length	RSSI	RSSI*	Destination MAC (2,1,0)	Payload Data
-----	---------------------	------	-------	-------------------------	--------------

The RSSI is how strong the remote transceiver heard the local transceiver, RSSI* is how strong the local transceiver heard the remote transceiver.

Consider a remote temperature monitoring system where the transceivers have to transmit their temperature reading periodically. When the Receive API is enabled every data packet received has also the information about the transceiver that transmitted the packet. This information is very useful in identifying the transceiver and analyzing its wireless link.

The Transmit API, Send Data Complete and Receive API can be used in any combination to suit different applications.



Note: When both Send Data Complete and Receive API on the API Mode is enabled Send Data Complete is to be received before the transceiver gets a Receive API packet (i.e. receives another packet before it gets an acknowledge for a packet sent). However this order may get reversed when the Send Data Complete packet is missed and is being resent after the Receive API packet is received.

Note: The API Mode over writes all the RF Delivery settings.

4.2.1.5 PC Settings

Port: Serial communications port of the PC connected to the CL4790 unit.

Baud Rate: Must equal the Interface Baud Rate setting of the CL4790 unit that is about to be programmed.

4.2.1.6 Programming the CL4790 units

1. Connect a CL4790 unit to the serial communications port on the PC.
2. Connect the power supply to the CL4790 unit. Make sure the **Pwr** LED is on.
3. Start the CL4790 Configuration Utility.
4. Select the COM Port that is connected to the CL4790 unit on the PC Settings section.
5. Select the Interface Baud Rate of the CL4790 unit. All CL4790 units are shipped with a default rate of 57600 (unless units have been pre-configured to match specific serial settings). If the Interface Baud Rate of the CL4790 unit is changed as described in **Section 4.2 Changing CL4790 Settings**, then PC Setting Baud Rate must be set to the same Baud Rate to allow proper programming of the units.
6. Select **Read Radio** to display the current settings of the CL4790 unit.
7. Change desired settings.
8. After all changes have been made, select **Write Radio** to save the changes.
9. Cycle Power to the unit after all changes has been saved. This will set the CL4790 unit to its normal mode of operation.

4.2.2 CN4790 Settings

The CN4790 **Settings** Page is shown below, as it will appear the first time the CN4790 check box is checked.

The screenshot shows the 'CN4790 Configuration Utility' window. It is divided into several sections:

- ConnexNet Settings:**
 - RF Delivery:** Radio buttons for Broadcast, Auto Destination, and Destination Address.
 - API Modes:** Checkboxes for Transmit API, Receive API, and Send Data Complete.
 - Options:** Checkboxes for Parity, Full Duplex, Data Encryption, Ignore Broadcast, and Auto Channel.
 - Random BackOff:** A dropdown menu.
 - Channel Number:** A text field with a range of 16 - 47.
 - Max Transmit Retries:** A text field with a range of 0 - 255.
 - Broadcast Attempts:** A text field with a range of 0 - 255.
 - System Identification:** A text field with a range of 0 - 255.
 - Destination Address (hex):** A series of six text boxes.
 - Data Encryption Key:** A series of six text boxes.
 - Show Defaults:** A button next to Firmware Version and MAC Address fields.
- PC Settings:**
 - Radio buttons for ConnexLink and ConnexNet (selected).
 - IP Address:** A text field containing '192 . 168 . 0 . 11'.
 - Port:** A text field containing '2101'.
- Buttons:** Help, About, Save to File, Load File, Write Radio, and Read Radio.

4.2.2.1 ConnexLink Settings

Random Back Off: Random BackOff determines the random amount of time a transceiver waits when a collision occurs before resending the packet again. The amount of randomness is controlled by this parameter.

Channel Number: A number that designates an independent network of CN4790 units. Up to 32 independent networks can be created. The valid range of values for this field is 16 to 47.

Max Transmit Retries: This value represents the maximum number of times a particular data packet will be transmitted unsuccessfully, or without an acknowledgement, before the CN4790 discards the packet. The default value is 4 attempts. If communication is lost and the **Link** LED is on, try increasing this value in small increments until communication is reestablished.

Note: This value is always associated to radios in Point to Point network. The valid range of values for this field is 2 to 255.

Broadcast Attempts: This value represents the number of times a data packet will be transmitted by the CN4790 when in Broadcast mode. The default value is 4 attempts. If communication is lost and the receiving radio's **Link** LED is on, try increasing this value in small increments until communication is reestablished.

Note: This value is always associated to radios in Point-to-Multipoint network. The valid range of values for this field is 2 to 255.

System Identification: A number from 0 to 256 that provides added security to each independent network of CN4790 units. The System ID is used in conjunction with the Channel Number and serves as an RF password to maintain secure transfers of data. The combination of the Channel Number and System ID must be unique to each network of CN4790s to establish communication. Multiple transceivers in the same coverage area must be programmed with different Channel Numbers to prevent inoperability of the networks. The System ID will not prevent inoperability that occurs from locating multiple transceivers with the same Channel Number in the same coverage area.

Important Note: **Separate Collocated CN4790 networks must operate on different Channel Numbers. All units in a given CN4790 network must have identical Channel Numbers and System IDs.**

Data Encryption Key: Encryption is the process of encoding an information bit stream to secure the data content. The DES algorithm is a common, simple and well-established encryption routine. An encryption key of 56 bits is used to encrypt the packet. The receiver must use the exact same key to decrypt the packet; otherwise garbled data will be produced.

Destination Address: The MAC Address of the remote CN4790 in a Point-to-Point network. Used to optimize Point-to-Point communications by utilizing RF Acknowledgement.

Firmware Version: Displays the CN4790's firmware version.

MAC Address: A unique 6 Byte, IEEE 802.3 Ethernet address assigned by AeroComm to each CN4790.

4.2.2.2 RF Delivery

Broadcast: Enables Broadcast mode. When enabled, the transceiver will send its packets to all transceivers on that network.

Auto Destination: Enables Auto Destination mode. When enabled, the transceiver sets its destination address to the address of the radio from which it received a packet first.

Destination Address: Enables Addressed mode. When enabled, the transceiver can send or receive data from a transceiver specified by the Destination Address box in the ConnexLink Settings.

4.2.2.3 Optional Settings

Data Encryption: Enables the Data Encryption Key. All CN4790s in the same network must have the same encryption setting.

Parity: Needs to be enabled if host requires even or odd parity and 8 data bits. This is considered as 9-bit mode. **Note: Enabling Parity cuts the overall throughput into half.**

Full Duplex: This mode the transceivers intelligently shares the bandwidth to enable Full Duplex. Though the RF hardware is still technically half duplex, it makes the transceiver seem full duplex. This can cause overall throughputs to be cut in half. **Note: All transceivers on the same network must have the same setting for Full Duplex.**

Modem Mode: Full modem handshaking is supported by the transceivers when Modem Mode is enabled. Modem Mode is incompatible with RS-485Interface. Enables DCD, DTR, DSR and Ring Indicator control lines.

Ignore Broadcast: When enabled, a transceiver ignores all the broadcast packet it receives.

4.2.2.4 API Mode

API Control is a powerful feature that the Masterless Protocol offers. When enabled, the Transmit API, Send Data Complete and Receive API features provide dynamic packet routing and packet accounting ability to the OEM Host, thereby eliminating the need for extensive programming on the OEM Host side. This ability of the protocol makes it ideal for any legacy system.

Transmit API

When Transmit API is enabled, the OEM Host should use the following format to transmit a packet over the RF.

81h	Payload Data Length (1- 80h)	Session Count Refresh	Transmit Retries/Broadcast Attempts	Destination MAC (2,1,0)	Payload Data
-----	---------------------------------	--------------------------	-------------------------------------	-------------------------	--------------

- 1) If the OEM Host does not encode the header correctly, the transceiver will send the entire string (up to 80h bytes) and will look for the header in the next data.
- 2) Although the 7 bytes of overhead are not sent over the RF, they are kept in the buffer until the packet is sent. Keep this in mind so as to not overrun the 256-byte buffer.
- 3) Setting MAC to FFh FFh FFh will broadcast the packets.

Consider the example of a remote temperature monitoring system where temperature readings are obtained from sensors attached to the transceivers at remote locations. This application may require polling each and every transceiver individually and obtaining the temperature reading. When the Transmit API is enabled the packets are dynamically routed with out requiring any configuration i.e. change the destination address every time the packet is transmitted. This makes it easy when hundreds of transceivers need to be polled.

Send Data Complete

When Send Data Complete is enabled, the transceiver sends the OEM Host the following data upon receiving an RF Acknowledge from the remote transceiver or exhausting all attempts.

82h	00h: Failure 01h: Success	RSSI	RSSI *
-----	------------------------------	------	--------

- 1) The RSSI is how strong the remote transceiver heard the local transceiver, RSSI* is how strong the local transceiver heard the remote transceiver.
- 2) Successful RF Acknowledge updates the Success/Failure bit.
- 3) When the transceiver is transmitting Broadcast Packets it will always return success after exhausting all Broadcast Attempts.
- 4) API Send Data Complete can be used as a software send data complete indicator
- 5) The transceiver could receive a failure even though the packet was received as it could have missed the RF Acknowledge from the remote transceiver.

When the Send Data Complete is enabled an RF Acknowledge is received for every packet that has been transmitted. This would be very useful in cases where the information sent is vital and OEM Host needs to retry and send the message again in case of a failure.

Receive API

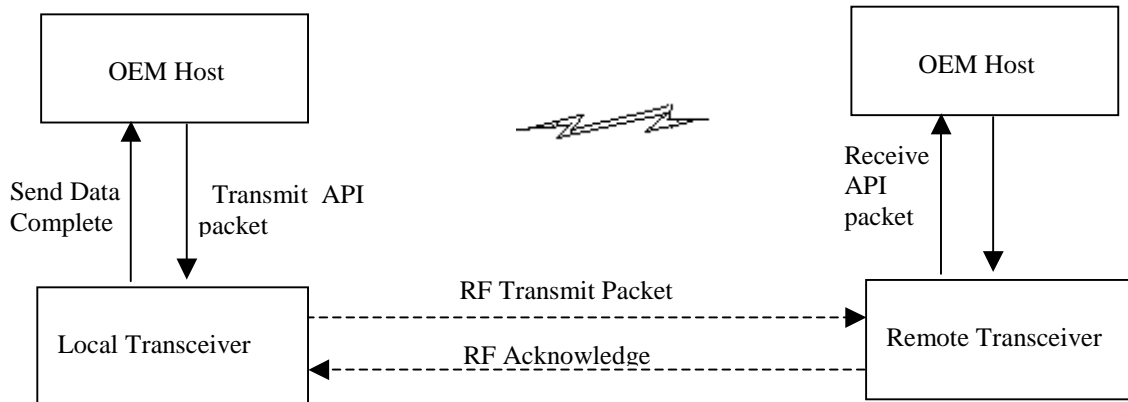
When **Receive API** is enabled; upon receiving a packet the radio sends its OEM Host the packet in the following format.

81h	Payload Data Length	RSSI	RSSI*	Destination MAC (2,1,0)	Payload Data
-----	---------------------	------	-------	-------------------------	--------------

The RSSI is how strong the remote transceiver heard the local transceiver, RSSI* is how strong the local transceiver heard the remote transceiver.

Consider a remote temperature monitoring system where the transceivers have to transmit their temperature reading periodically. When the Receive API is enabled every data packet received has also the information about the transceiver that transmitted the packet. This information is very useful in identifying the transceiver and analyzing its wireless link.

The Transmit API, Send Data Complete and Receive API can be used in any combination to suit different applications.



Note: When both Send Data Complete and Receive API on the API Mode is enabled Send Data Complete is to be received before the transceiver gets a Receive API packet (i.e. receives another packet before it gets an acknowledge for a packet sent). However this order may get reversed when the Send Data Complete packet is missed and is being resent after the Receive API packet is received.

Note: The API Mode over writes all the RF Delivery settings.

4.2.2.5 PC Settings

IP Address: IP Address of the CN4490 unit.

Port: Port number of the CN4490 unit, the Port number is always 2101.

4.2.2.6 Programming the CN4790 units

1. Connect a CN4790 unit to the serial communications port on the PC.
2. Connect the power supply to the CN4790 unit. Make sure the **Pwr** LED is on.
3. Start the CN4790 Configuration Utility.
4. Select the COM Port that is connected to the CN4790 unit on the PC Settings section.
5. Select the Interface Baud Rate of the CN4790 unit. All CN4790 units are shipped with a default rate of 57600 (unless units have been pre-configured to match specific serial settings). If the Interface Baud Rate of the CN4790 unit is changed as described in **Section 4.2 Changing CN4790 Settings**, then PC Setting Baud Rate must be set to the same Baud Rate to allow proper programming of the units.
6. Select **Read Radio** to display the current settings of the CN4790 unit.
7. Change desired settings.
8. After all changes have been made, select **Write Radio** to save the changes.
9. Cycle Power to the unit after all changes has been saved. This will set the CN4790 unit to its normal mode of operation.

5. Troubleshooting

Problem	Solution	
	CL4790	CN4790
Read Radio displays error message: "Radio not responding."	<ol style="list-style-type: none"> 1. Make sure the PC Settings are right. See Section 4.2.3 PC Settings. 2. Make sure the CL4790 unit uses the right serial cable. Refer to Section 2.1 RS-232. 3. If any other program that is using the same COM port as CL4790 is open, close that program and try to read the radio again. 4. Reset the radio by cycling power after each unsuccessful Read. 	<ol style="list-style-type: none"> 1. Make sure the PC Settings are right. See Section 7.2.3 PC Settings. 2. Make sure the CN4790 unit uses the right Ethernet cable. Refer to Section 2.2 LAN Port. 3. If any other program that is using the same LAN port as CN4790 is open, close that program and try to read the radio again. 4. Reset the radio by cycling power after each unsuccessful Read.
Write Radio displays error message: "Radio not responding."	<ol style="list-style-type: none"> 1. Cycle power to the radio. 2. Read the radio and make desired changes and then Write the radio. 	<ol style="list-style-type: none"> 1. Cycle power to the radio. 2. Read the radio and make desired changes and then Write the radio.
Garbled Data received.	<ol style="list-style-type: none"> 1. Check Data Encryption Standard settings. 	<ol style="list-style-type: none"> 1. Check Data Encryption Standard settings.
Client's Link LED does not come on.	<ol style="list-style-type: none"> 1. Make sure the unit is connected to power. 2. Cycle power to the radio. 	<ol style="list-style-type: none"> 1. Make sure Server CN4790 unit is powered up. 2. Cycle power to the radio.
Link LED is on, but data does not get transmitted or received.	<ol style="list-style-type: none"> 1. Make sure the CL4790 unit(s) is connected to the correct COM Port. 2. Check the COM port settings for correct Baud Rate, Parity and either Hardware or No Flow Control. Units can have transmission errors with Flow Control set to Xon/Xoff. 3. Try increasing the Maximum Transmit Attempts (for Clients) and/or Broadcast Attempts (for Servers) values in small increments until communication is established. 4. Connect a Null Modem adapter between the Client and its host device. 5. Check the Destination Address setting. 	<ol style="list-style-type: none"> 1. Make sure the CN4790 unit(s) IP Address is right. 2. Try increasing the Maximum Transmit Attempts (for Clients) and/or Broadcast Attempts (for Servers) values in small increments until communication is established. 3. Check the Destination Address setting.

If these troubleshooting tips do not resolve the problem, please call our toll free number at (800) 492-2320, extension 207. Technical support hours are Monday through Friday, 8:00 am to 5:00 pm Central Standard Time.