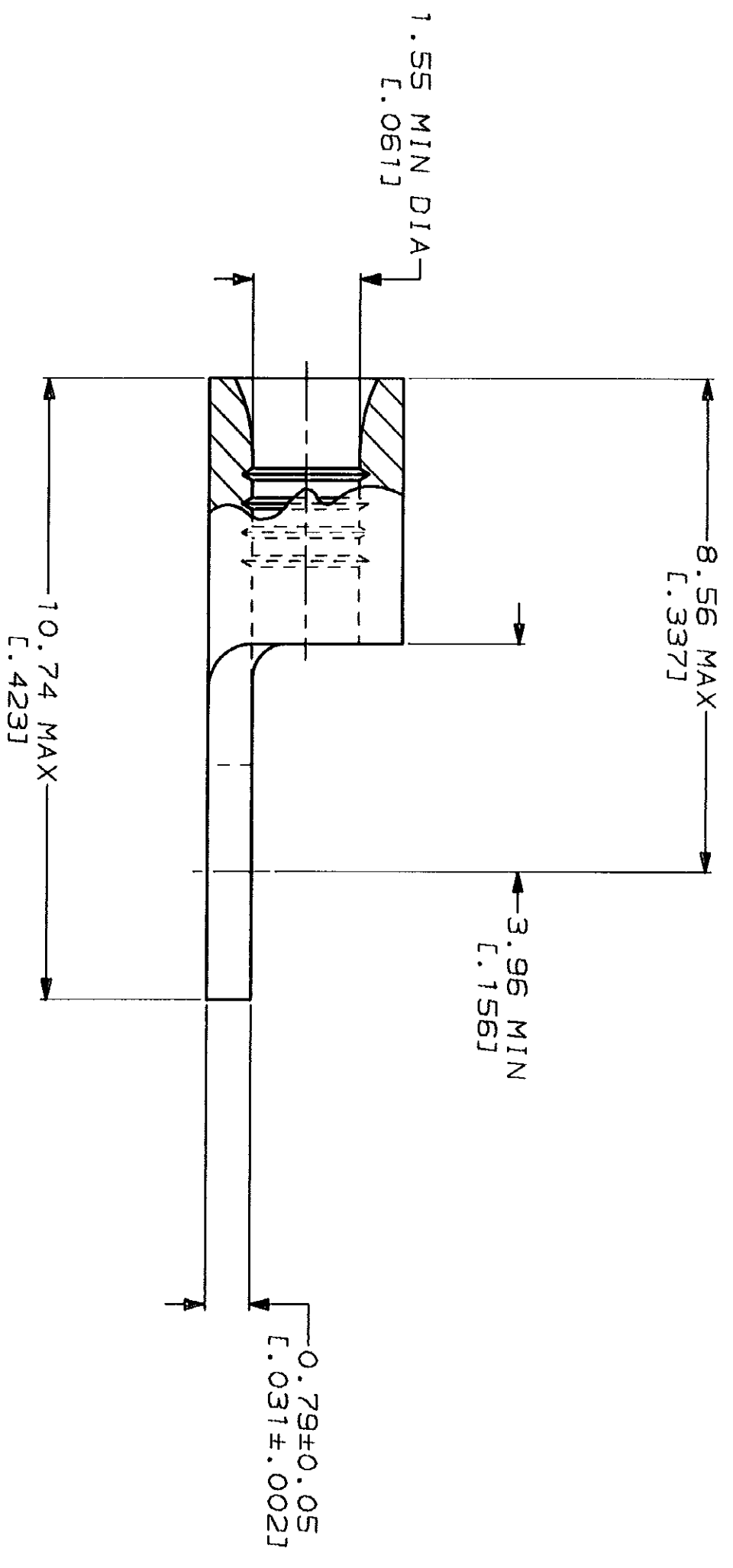
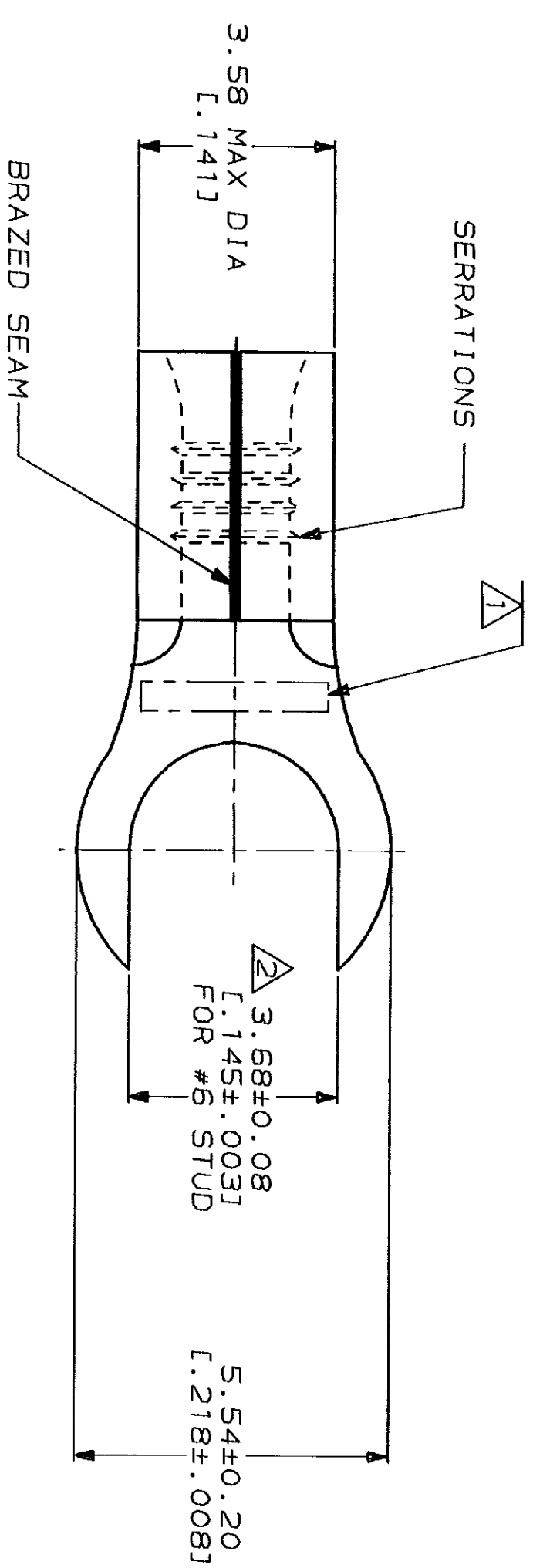
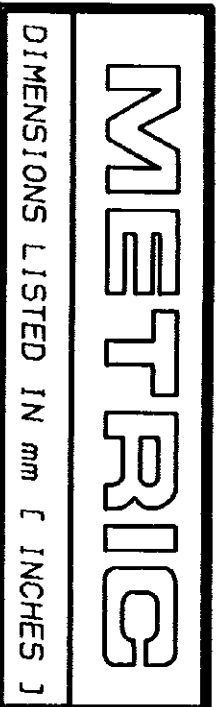


LOC	DIST	REV	ZONE	LTR	DESCRIPTION	DATE	APPD
G	14	P		H	REV 8 REDRAWN PER 0720-0040-93	4-8-93	18 DAF



AMP WIRE RANGE	IL E13288 Listed
22-16 AWG SOLID OR STRANDED	22-16 AWG SOLID OR STRANDED
LR7189 Certified	MILITARY P/N AND CLASS
22-16 AWG SOLID OR STRANDED	NOT APPLICABLE

△ STAMP AMP 22-18* APPROX AS SHOWN
 22-16 TERMINALS ARE STAMPED 22-18 IN
 ACCORDANCE WITH MILITARY SPECIFICATION
 MIL-T-7928, COMMERCIAL WIRE RANGE IS 22-16
 MINIMUM DIMENSION ACROSS TIPS OF SLOT TO BE
 .130 FOR PART NUMBER 2-321289-1

**AMP INCORPORATED
 CUSTOMER SERVICE SYSTEMS**

FOR ADDITIONAL PRODUCT INFORMATION OR COPIES OF DRAWINGS AND TECHNICAL DOCUMENTS	PRODUCT INFORMATION CENTER 1-800-522-6752
FOR APPLICATION TOOLING INFORMATION	TOOLING ASSISTANCE CENTER 1-800-722-1111
FOR ORDER ENTRY	1-800-526-5142

MAX RECOMMENDED OPERATING
TEMPERATURE: 170°C MAX

VOLTAGE RATING:
NOT APPLICABLE

WIRE CROSS SECTIONAL AREA RANGE:
0.26-1.65mm² [509-3,260] CIR MILS
SOLID OR STRANDED

DO NOT SCALE PRINT.
UNLESS SPECIFIED
DIMENSIONS IN mm [INCHES]
TOLERANCES ON:
2 PLC DEC ±
3 PLC DEC ±
ANGLES

MATERIAL
COPPER PER
ASTM B-152
ANNEALED

FINISH
TIN PLATE
0.00254 [.000100] MIN
THK PER MIL-T-10727

DR 4-8-93 TA BRINKMAN	APPD 4-8-93 DE MILLER
CHK 4-8-93 DA PATTERSON	APPD 4-8-93 JL MECKLEY
PRODUCT SPEC	APPLICATION SPEC
WEIGHT	

5000	ON TAPE	2-321289-1
---	LOOSE PIECE	321289
QUANTITY	PACKAGING TYPE	PART NO

AMP
AMP Incorporated
Harrisburg, PA 17105-3508

TERMINAL, SLOTTED
RING TONGUE, SOLISTRAND™

SIZE	CAGE CODE	DRAWING NO
SCALE 10:1	00779	321289
		SHEET 1 OF 1