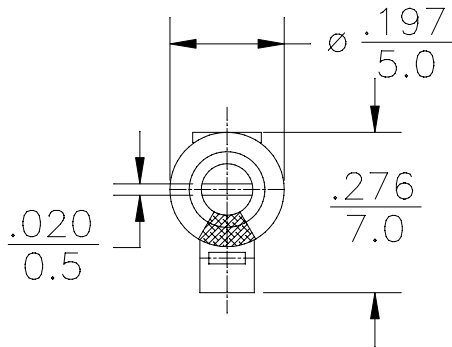
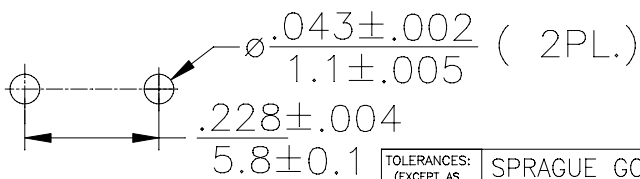
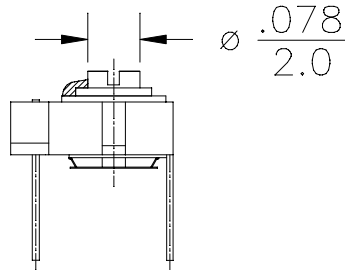
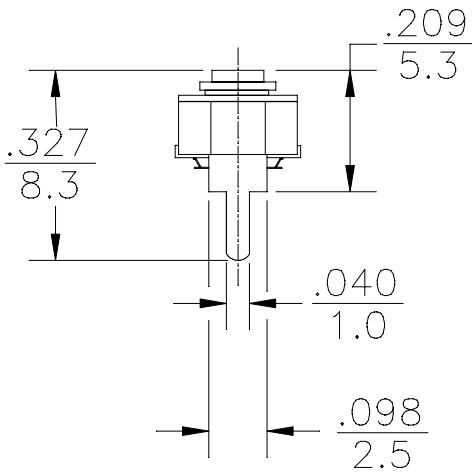


REV	DESCRIPTION	DATE	APP
00	NEW DRAWING	10/01/09	



SPECIFICATIONS:

1. Capacitance : Cmin 1.3 pF  
Cmax 3.0 pF +50%
2. Operating temperature range : - 25°C to + 85°C
3. TCC : 0 ± 250 ppm/°C
4. Q min at maximum rated capacitance : 500 at 1MHz
5. Voltage rating 100 VDC
6. Dielectric withstanding voltage: 220 VDC
7. Insulation resistance: 10<sup>4</sup> Megohms min.
8. Torque : 35 to 200 g-cm ( 0.49 to 2.8 oz-in)
9. Thermal resistance: 5 sec. @ 260°C <sup>+50</sup>/<sub>-0.0</sub> %
10. Vibration: 50 g @ 10-2000 Hz



MOUNTING HOLES LAYOUT

TOLERANCES: (EXCEPT AS NOTED)		SPRAGUE GOODMAN ELECTRONICS INC. 1700 SHAMES DRIVE WESTBURY, NY 11590	
DECIMAL: ±0.002 in ±0.051 mm	MATERIAL:	SCALE: 4:1	DRAWN BY: R. LEVIN APPROVED: S. GRINBERG
FRACTIONAL: 1/64	TITLE: OUTLINE DWG P/N GKU3R020		USED FOR:
ANGULAR: 1°	DATE: 10/01/09	DRAWING NUMBER GKU3R020	REV. 00