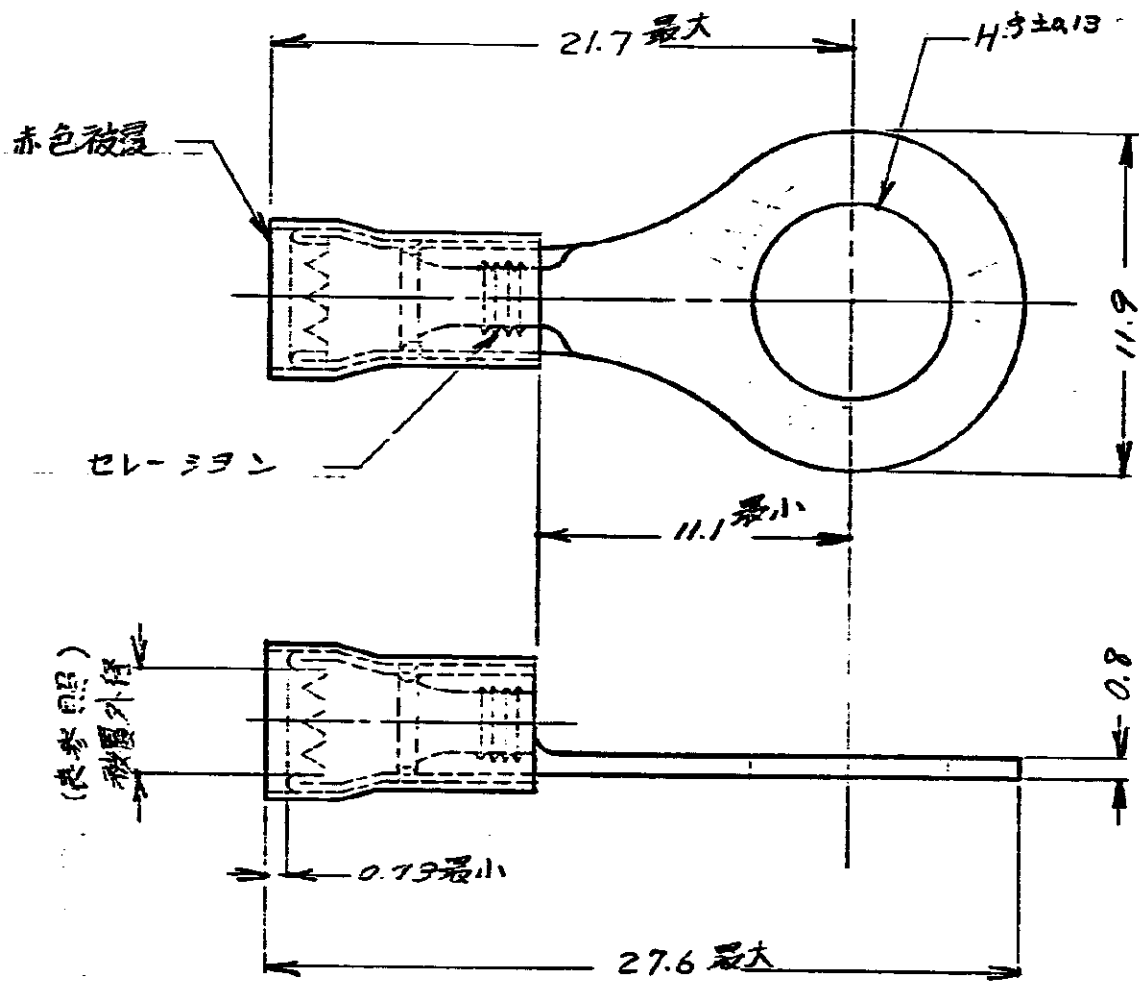


C-171507



型番	スワド	H寸法	被覆外径
171507-1	1/4	6.7±	2.03 ~ 3.18
↓ -2	5/16	8.3±	2.03 ~ 3.18
↓ -3	1/4	6.7±	2.66 ~ 3.56
171507-4	5/16	8.3±	2.66 ~ 3.56

DIMENSIONS IN AIR DO NOT SCALE PRINT

E REVISED (REV-D) X.Y. N.S. 4/18		© 1975 BY AMP CORP. LTD. ALL RIGHTS RESERVED AMP PRODUCTS COVERED BY PATENTS AND/OR PATENTS PENDING		参考図 (CUSTOMER COPY REFERENCE ONLY)	
D REVISED (REV-C) S.O. 4/18		MATERIAL 電気銅		TRADE MARK	
C ADDED MARK H.S. ARI 3/15		ALL TRADE MARKS 鋼のつき		日本エー・エム・ピー株式会社 TOKYO, JAPAN	
B REVISED (REV-B) H.S. ARI 7/15		DIMENSION RANGE 0.26 ~ 1.04		CLASS 4	
A REVISED (REV-A) H.S. K.M. 1/15		SCOPE 表本図		7-1-122447F-27E1-D-2717	
G 631092-21-31825		TOLERANCE: ±0.4 EXCEPT AS NOTED		4-1 J A C-171507 E	
4 LTR REVISION RECORD: DR. CHK. DATE		NAME: 丸型端			