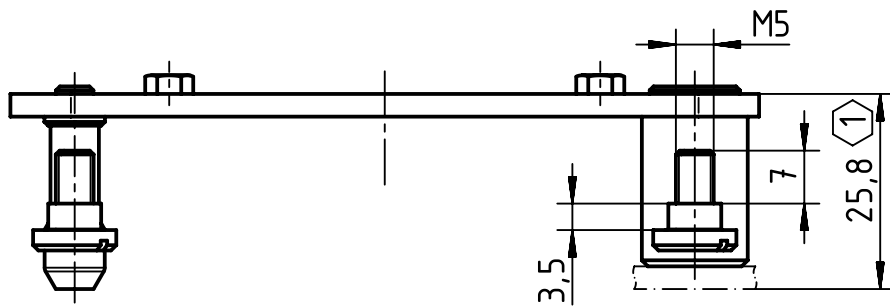
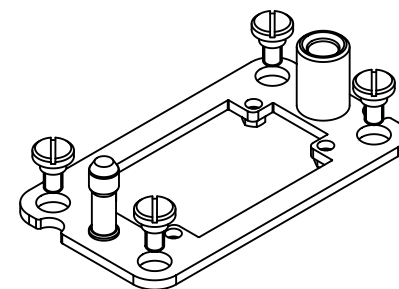
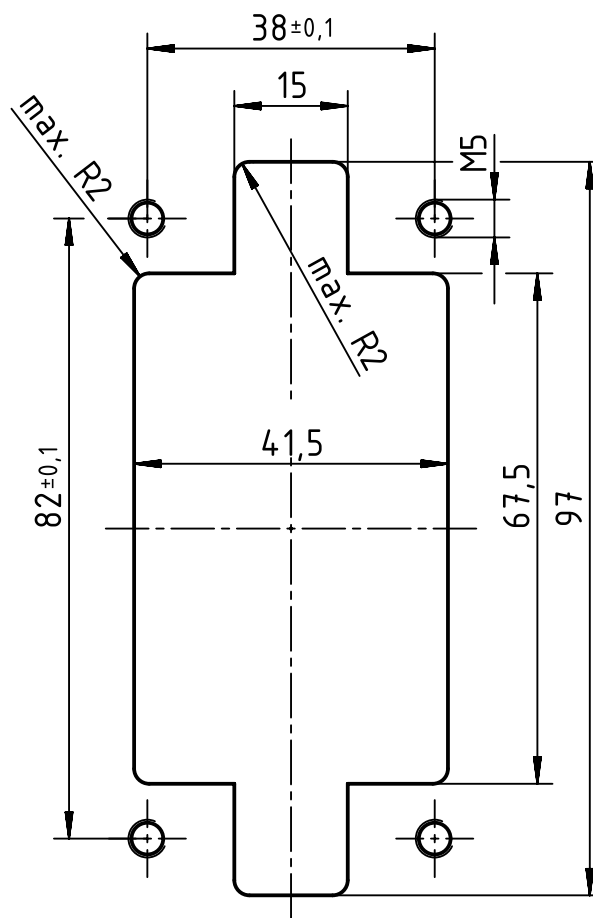


panel cut out



① distance for electrical and FOC contacts max. 27mm for pneumatic contacts max. 26,5mm

kind of delivery: piece parts

	All Dimensions in mm Original Size DIN A4		Scale 1:1	Free size tol.		Ref.
	All rights reserved Department EL PD - DE		Created by RULLKOETTER	Inspected by MOOR	Standardisation TIEMANNA	Sub.
HARTING Electric GmbH & Co. KG D-32339 Espelkamp		Title <b>Han 10B Docking Frame</b>			Date 2015-04-17	State Final Release
				Type TB	Number 09 30 010 1701	Doc-Key / ECM-Nr. 100128232/UGD/005/D 500000088271
					Rev. D	Page 1/1