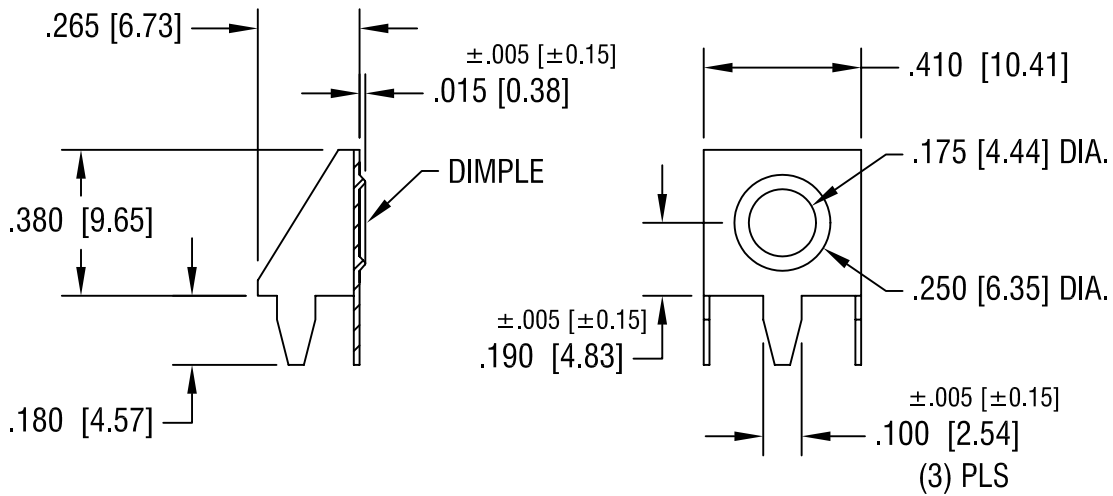
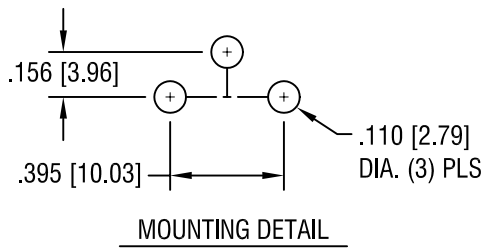


THIS DOCUMENT IS THE PROPERTY OF
KEYSTONE ELECTRONICS CORP. AND
SHALL NOT BE REPRODUCED, DISTRIBUTED
OR USED AS A BASIS FOR MANUFACTURE
WITHOUT PRIOR WRITTEN PERMISSION
FROM KEYSTONE ELECTRONICS CORP.



KEYSTONE ELECTRONICS CORP.			
ASTORIA, N.Y. 11105-2017			
PART NAME			
'AA' 'AAA' 'N' SIZE PC BUTTON CONTACT			
MATERIAL			
.015 [0.38] TH'K STEEL			
FINISH		DRN BY	DATE
TIN NICKEL PLATE		BOONE	1.7.99
		APPD	SCALE
		LN	2X
TOLERANCES	INCH [MM]	CODE	DWG NO.
DECIMAL	± .010 [± 0.25]	C	637
ANGULAR	± 1°		
UNLESS OTHERWISE SPECIFIED			

8.25.04	CHANGE AS PER ECN 04-070	A	
DATE	DESCRIPTION	REV.	