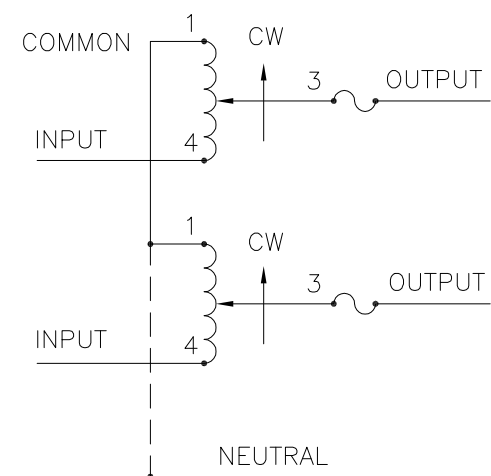


(4) STANDOFFS TAPPED
 1/4-28 X .38 [9.5] DEEP
 FOR MOUNTING BOLTS

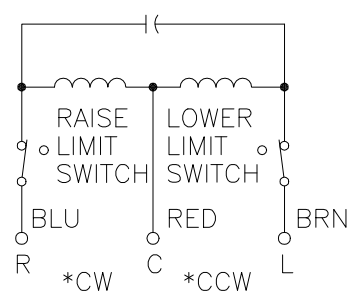
.88 [22.2] DIA. KNOCKOUT
 (4) PLACES FOR
 WIRING CONNECTIONS

.28 [7.1]
 (4) PLACES FOR
 CUSTOMER MOUNTING

.88 [22.2] DIA. KNOCKOUT
 (4) PLACES FOR
 MOTOR CONNECTIONS



THREE PHASE OPEN DELTA ONLY



MOTOR CIRCUIT
 120V, 50/60 HZ
 * ROTATION AS VIEWED
 FROM MOTOR END
 MOTOR SPEED: SEE CHART

- + MOTOR DRIVEN UNITS USE TERMINAL CONNECTIONS FOR CCW INCREASING VOLTAGE, AS VIEWED FROM BASE END.
- π IF GANGED UNITS ARE USED IN A SYSTEM THAT ORDINARILY HAS A COMMON NEUTRAL OR GROUND BETWEEN SOURCE AND LOAD, THE NEUTRAL OR GROUND MUST BE CONNECTED TO THE COMMON TERMINALS OF THE VARIABLE TRANSFORMER ASSEMBLY. IF THE SYSTEM HAS NO NEUTRAL, THE LOAD MUST BE BALANCED OR THE TRANSFORMER WILL BE DAMAGED.
- JUMPER PROVIDED IN STANDARD COMMON POSITION AND SHOULD BE MOVED OR REMOVED AS REQUIRED.
- ++ LINE TO LINE VOLTAGE.

WIRING	INPUT		OUTPUT				SHAFT ROTATION TO INCREASE VOLTAGE	TERMINAL CONNECTIONS			
	VOLTS	HERTZ	VOLTS	CONSTANT CURRENT LOAD		CONSTANT IMPEDANCE LOAD		FOR INCREASING VOLTAGE AS VIEWED FROM BASE END +			
				MAX. AMPS	MAX. KVA	MAX. AMPS		MAX. KVA	INPUT	JUMPER	OUTPUT
SINGLE PHASE SERIES	240	60	0-240	12	2.88	15	3.60	CW	1-1	4-4	3-3
THREE PHASE OPEN DELTA π	120	60	0-120	12	2.49	15	3.12	CW	1-4-1	4-4	3-4-3
								CCW	4-1-4	1-1	3-1-3

SPEED (SECONDS)	MODEL NUMBER
5	5M1210BCT-2
15	15M1210BCT-2
30	30M1210BCT-2
60	60M1210BCT-2

UNLESS OTHERWISE SPECIFIED, TOLERANCE IS # DECIMALS HOLES .002 ANGLES 1° DRAFT 1-1/2° UNITS IN [mm]

MATERIAL: ALL DIMENSIONS APPLY AFTER PLATING

TITLE: SPEC. CONTROL DRAWING
 MOTORIZED VARIABLE XFMR
 MODEL: M1210BCT-2

DRAWN BY: S.A. SMITH DATE: 9/25/97 FIRST USED ON: DO NOT SCALE DWG. CUSTOMER APPROVAL: DATE:

CHECKER: DATE: WEIGHT APPROX. 30.75 LBS. CODE IDENT. NO. 83008 DWG. NO. 031-3200

ENGINEER: DATE: SCALE 1=1 SHEET 1 OF 1

SCHEMATIC
 THREE PHASE OPEN DELTA AND SINGLE PHASE SERIES. FUSE RECOMMENDED BUT NOT SUPPLIED.

