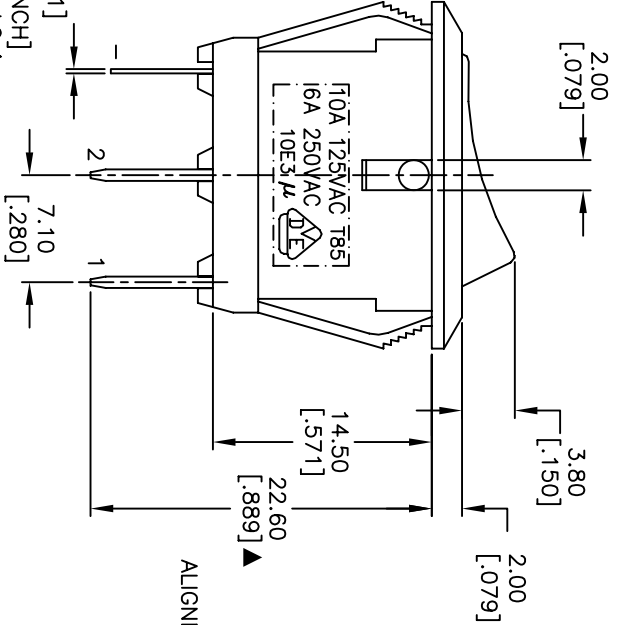


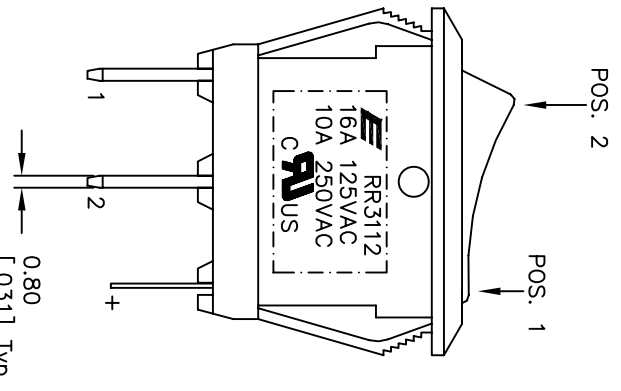
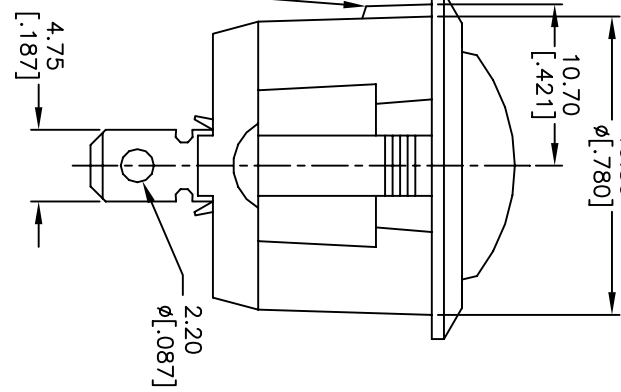
LED LEAD DETAIL



SWITCH FUNCTION	POS. 1	POS. 2
ON	OFF	OFF
2-1	OPEN	OPEN

NOTES:

1. ALL DIMENSIONS IN MM [INCH]
2. GENERAL TOLERANCE: 0.0=±0.4
0.00=±0.25
3. TERM. NOS. FOR REF. ONLY
4. RATING: 16A, 125VAC, 10A, 250VAC UL&CUL APPROVED
10A 125VAC, 6A 250V AC VDE APPROVED
5. CONTACT RESISTANCE: 50m ohm max.
6. INSULATION RESISTANCE: DC 500V 100M ohm min.
7. DIELECTRIC STRENGTHS: AC 1500V 1 minute
8. OPERATING TEMP.: -20°C to 85°C
9. 12V RED LED
10. ▲ DENOTES CRITICAL PARAMETER.



RECOMMEND PANEL MOUNTING

TITLE

RR3112LBLKBLKREDEF4



REV.	ECN No.	DESCRIPTION	DATE	CHKD	TN
A	16698	RELEASED FOR PRODUCTION	12/01/06		

THE INFORMATION CONTAINED IN THIS DOCUMENT IS PROPRIETARY TO E-SWITCH AND IS NOT TO BE COPIED OR TRANSFERRED

SCALE	DATE	DR	DWG	REV
2:1	12/01/2006	TN	F130459	A