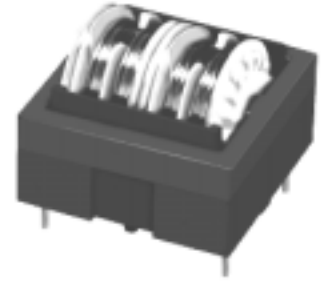
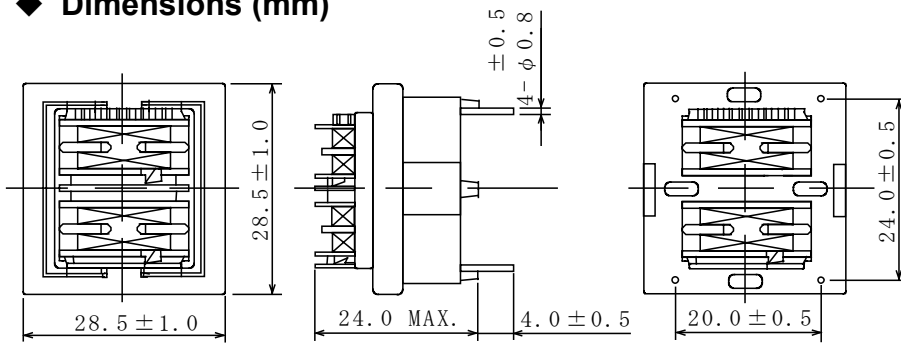
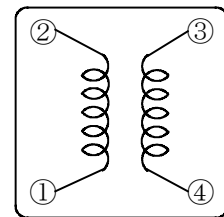


Type: LF2823
◆ Product Description

- 29.5×29.5mm Max.(L×W), 24.0mm Max. Height .
- Inductance range: 1.8mH~68mH
- Rated current range: 0.6~2.6A
- In addition to the standard versions of parameters shown here, custom designs are available to meet your exact requirements.


◆ Feature

- Excellent attenuation characteristics in low frequency range.
- Ideally used in TV,VCR,AV,OA equipment for noise prevention.
- RoHS Compliance

◆ Dimensions (mm)

◆ Schematics (Bottom)


- * Dimension does not include solder used on coil.
- * Terminal pitch is measured at the base(not from tip of the pin)

- * Winding start is #1,#4 or #2,#3.
- * #1, #2 : should have same polarity.

◆ Specification

| Part No. | Stamp | Inductance [MIN.](mH) (1-2)(4-3) 1kHz | Inductance Balance [MAX.] (μ H) | D.C.R. (Ω) [MAX.] (1-2)(4-3) (at 20°C) | Rated Current (50/60Hz) (Arms)※1 |
|----------------|-------|--|---------------------------------|--|----------------------------------|
| LF2823NP-B-182 | 182 | 1.8 | 100 | 72m | 2.6 |
| LF2823NP-B-682 | 682 | 6.8 | 200 | 0.23 | 1.6 |
| LF2823NP-B-123 | 123 | 12 | 400 | 0.38 | 1.2 |
| LF2823NP-B-223 | 223 | 22 | 500 | 0.65 | 1.0 |
| LF2823NP-B-393 | 393 | 39 | 700 | 1.43 | 0.7 |
| LF2823NP-B-683 | 683 | 68 | 850 | 1.82 | 0.6 |

※1. Rated current: The AC current at which the temperature rise is $\Delta t=45^{\circ}\text{C}$.($T_a=20^{\circ}\text{C}$).