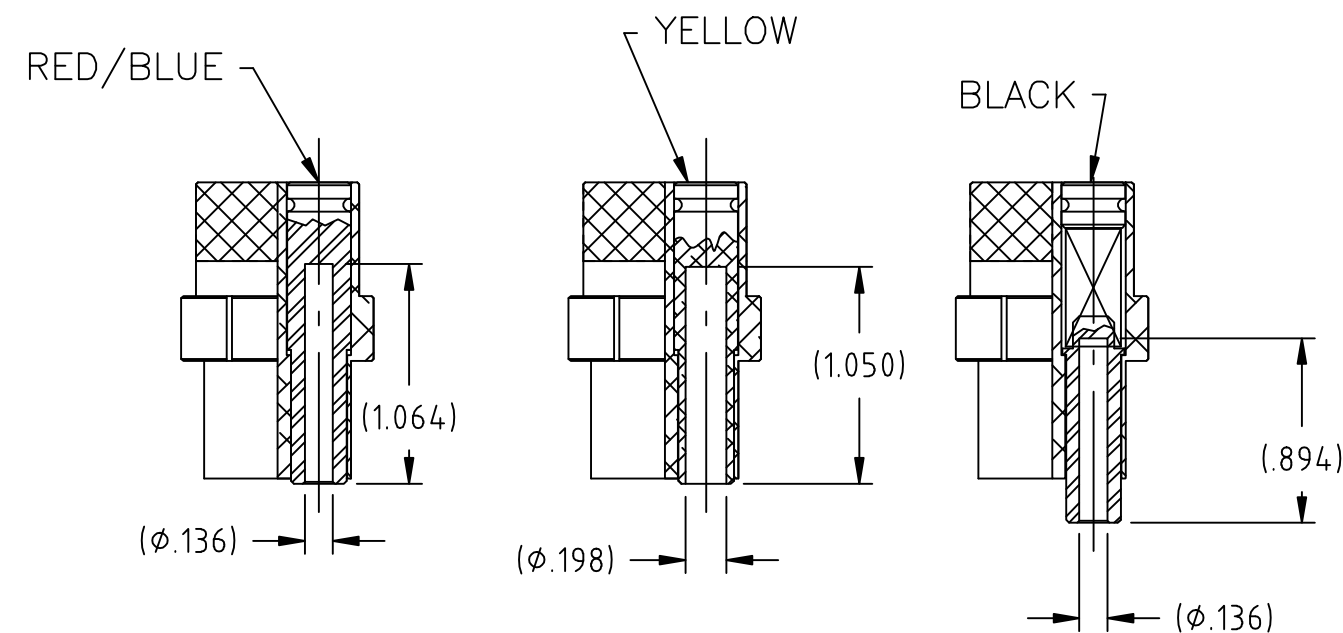
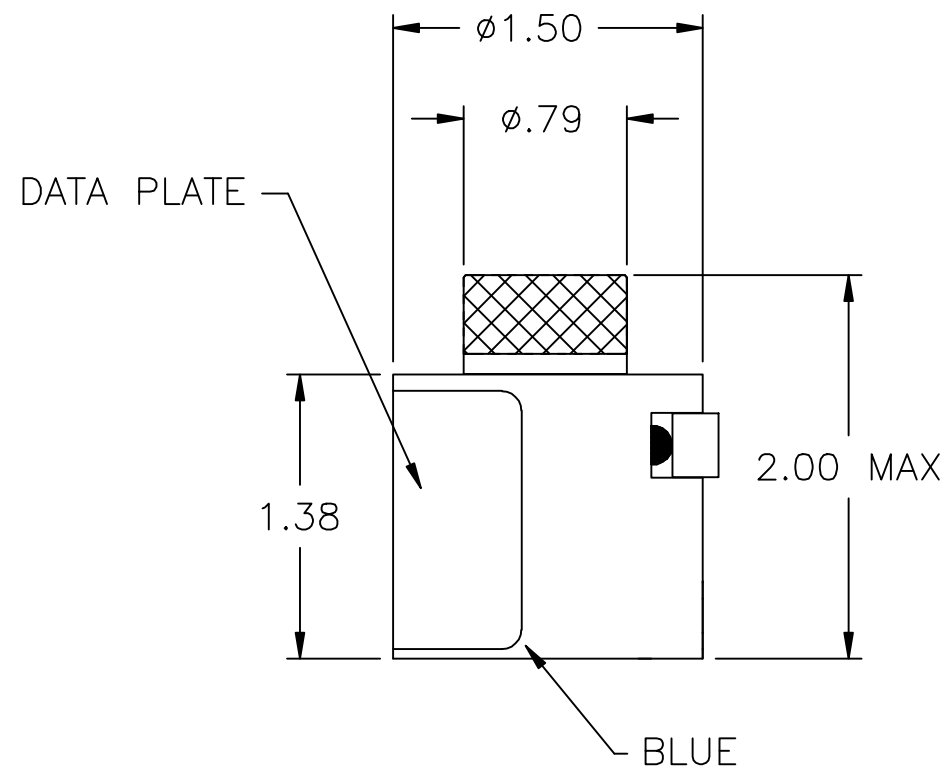
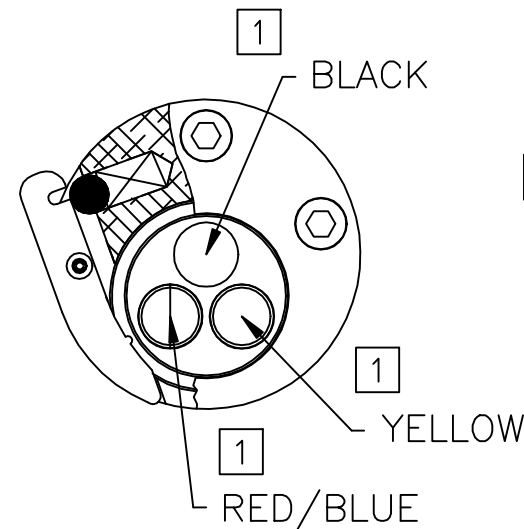


**UNCONTROLLED DOCUMENT
WILL NOT BE UPDATED**



TYPICAL CONSTRUCTION
HOLE DEPTHS ARE MEASURED FROM TOP OF POSITIONER INSERTS.

CONTACT DESIGNATION	COLOR CODE	SELECTOR ADJUSTMENT		
		0.75/1 mm ² ANG 20	1.5 mm ² ANG 16	2.5 mm ² ANG 12
031-8554-000	RED/BLUE	4	—	—
031-8504-006		—	5	—
031-8556-000		—	—	—
031-8503-006		—	—	—
031-8556-006	BLACK	4	—	7
031-8555-000		—	—	—
030-8585-000		—	—	—
031-8557-000	YELLOW	—	—	—

DATA PLATE

REV.	DESCRIPTION	BY	DATE	APR.
	A NEW RELEASE.	DYO	07-08-10	MMK

THESE DRAWINGS, SPECIFICATIONS OR OTHER DATA ARE AND REMAIN, THE PROPERTY OF ASTRO TOOL CORP. AND MUST BE RETURNED UPON REQUEST. THEY CONTAIN INFORMATION OWNED AND/OR DEVELOPED BY ASTRO AT ITS OWN PRIVATE EXPENSE AND MAY NOT BE USED, DUPLICATED OR DISCLOSED TO OTHERS, IN WHOLE OR IN PART FOR DESIGN, MANUFACTURE OR PROCUREMENT WITHOUT THE WRITTEN PERMISSION OF ASTRO TOOL CORP. EACH AND EVERY TIME.

SCALE: N.T.S.
DWN BY: DYO
DATE: 07-08-10
APPROVED:

UNLESS OTHERWISE SPECIFIED:
DECIMALS:
.XXX ± .005
.XX ± .010
.X ± .030
ANGLES: ± 1°

ASTRO TOOL CORP.
21615 S.W. TUALATIN VALLEY HWY., BEAVERTON OR 97006

DESCRIPTION: ENVELOPE DRAWING: 600325-1
TURRET ASSEMBLY

PART NO. B 600325-1-ENV

CAGE 58164

NOTES: 1. THIS IS AN AUTOCAD DRAWING DO NOT CHANGE MANUALLY.