

GLCD Adapter™

Manual

All Mikroelektronika's development systems feature a large number of peripheral modules expanding microcontroller's range of application and making the process of program testing easier. In addition to these modules, it is also possible to use numerous additional modules linked to the development system through the I/O port connectors. Some of these additional modules can operate as stand-alone devices without being connected to the microcontroller.

Additional Board

 **MikroElektronika**

SOFTWARE AND HARDWARE SOLUTIONS FOR EMBEDDED WORLD ...making it simple

GLCD Adapter Additional Board

The *GLCD Adapter* additional board is used to connect the pins of a microcontroller provided on a development system to a 240x128 GLCD. Connection between the additional board and a development system is established via two IDC10 female connectors supplied on ends of flat cables, whereas the GLCD is connected via a 1x22 male connector supplied on the additional board. In addition to this connector, there is also a potentiometer P1 used for display contrast adjustment provided on the board.

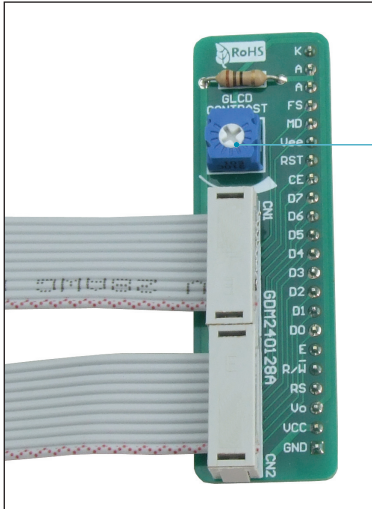


Figure 1: *GLCD Adapter* additional board

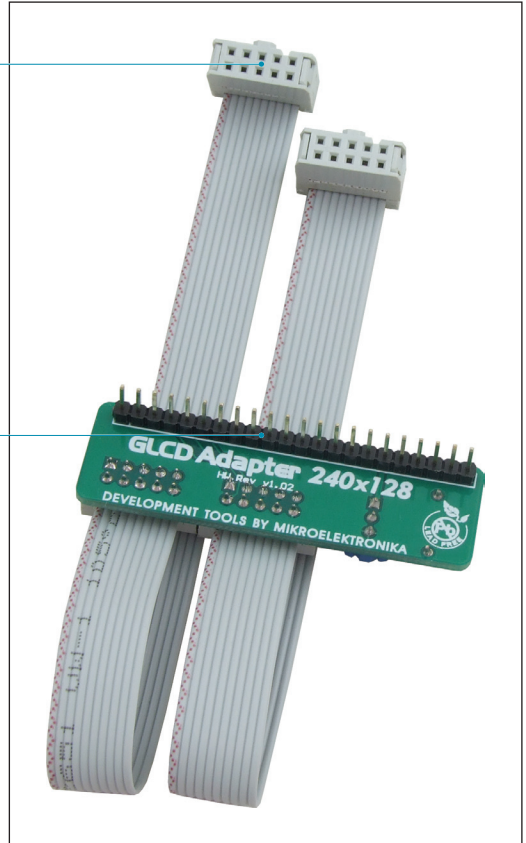


Figure 2: Back of the *GLCD Adapter* additional board

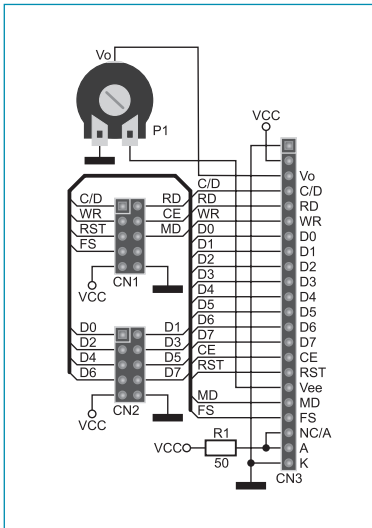


Figure 3: *GLCD Adapter* connection schematic

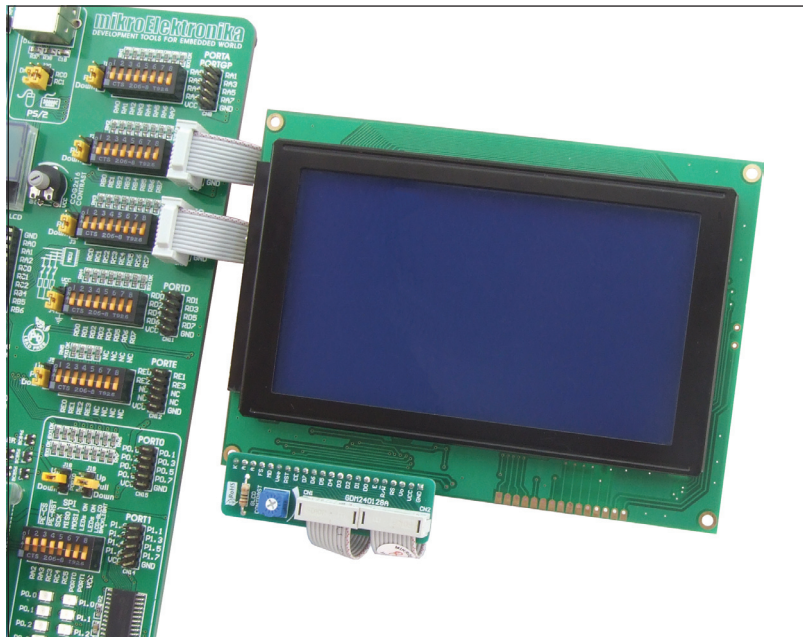


Figure 4: GLCD Adapter additional board connected to a development system



Figure 5: GLCD Adapter additional board connected to a GLCD display



MikroElektronika
SOFTWARE AND HARDWARE SOLUTIONS FOR EMBEDDED WORLD ...making it simple

If you want to learn more about our products, please visit our website at www.mikroe.com

If you are experiencing some problems with any of our products or just need additional information, please place your ticket at www.mikroe.com/en/support

If you have any questions, comments or business proposals, do not hesitate to contact us at office@mikroe.com