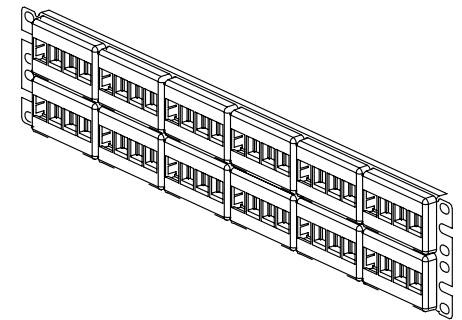
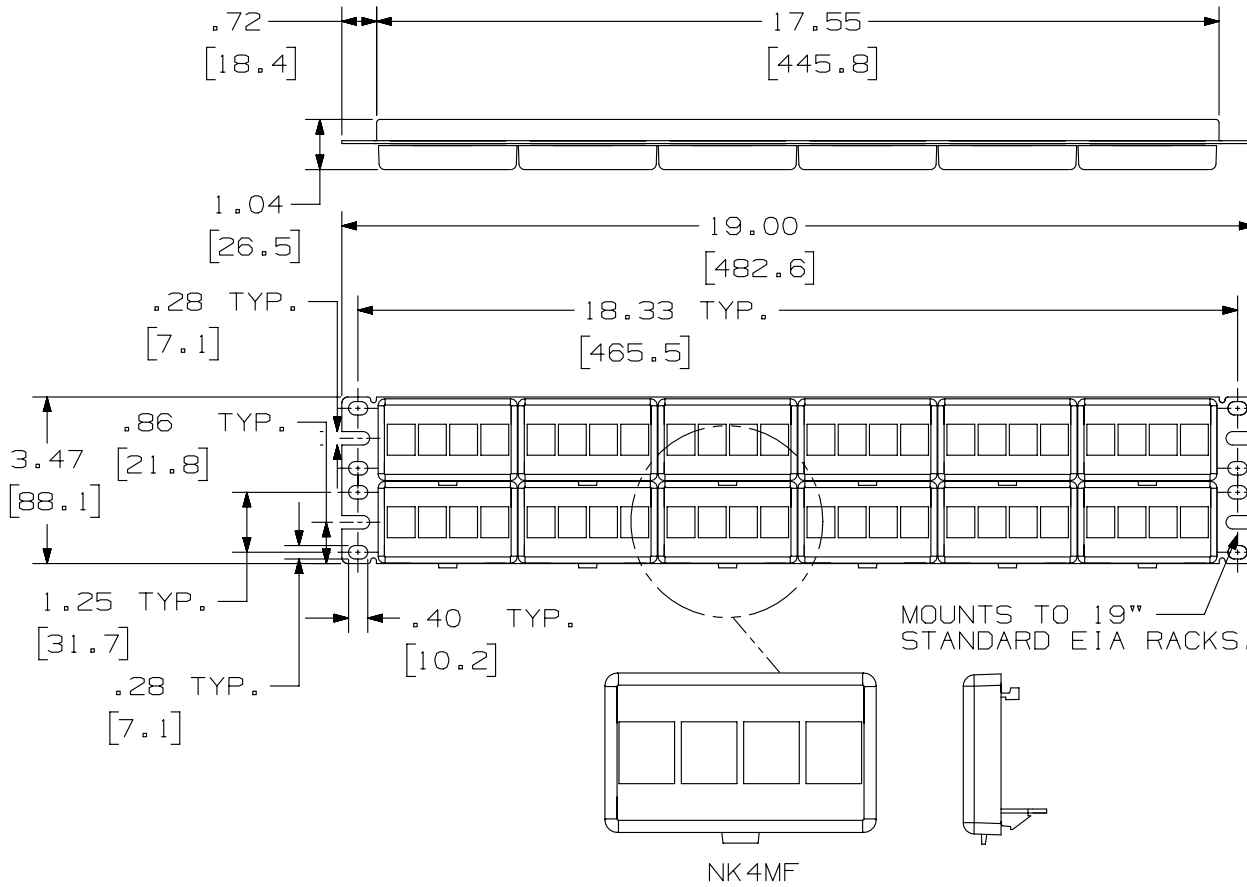


THIS COPY IS PROVIDED ON A RESTRICTED BASIS AND IS NOT TO BE USED IN ANY WAY DETRIMENTAL TO THE INTERESTS OF PANDUIT CORP.

PANDUIT PART NO.	WEIGHT
NKFP48Y	8.75 LB/10 PCS (3970 g/10 PCS)

NOTES:

1. SEE CURRENT CATALOG FOR VARIOUS APPLICATIONS WITH THIS WIRING SYSTEM.
2. PATCH PANEL IS DESIGNED FOR MOUNTING TO 19" STANDARD EIA RACKS.
3. PATCH PANELS ACCEPT ALL NETKEY MODULES.
4. DIMENSIONS IN [] ARE METRIC.
5. PART INCLUDES:
 - (1) -24 PORT STAMPING
 - (12) -FURNITURE FACEPLATE (ASSEMBLED TO STAMPING)
 - (1) -SCREW KIT (INCLUDES FOUR #12-24 SCREWS)
 - (1) -SCREW KIT (INCLUDES FOUR M6 SCREWS)



PART NUMBER		NKFP48Y		
TITLE		NETKEY 48 PORT MODULAR FACEPLATE PATCH PANEL		
		CUSTOMER DRAWING		
ITEM REVISION NAME		M02479DL/00		
DATASET FILE NAME		M02479DL_DC92/00B		
UNLESS OTHERWISE SPECIFIED, DIMENSIONAL TOLERANCES ARE: IN [mm]		MATERIAL:		
.x ± .xxx ± .010 [.3]		PANEL: C.R.S. FACEPLATE: ABS		
.xx ± .03 [.8]		DRAWING NUMBER:		
ANGLES ±		02479-092		
THIRD ANGLE PROJECTION				
DRAWN BY	DATE	CHK	SCALE	SIZE
JSP	5/20/14	MJD	NONE	A
REV	DATE	BY	CHK	APR
1		JSP	REFR	JCK
R		JSP	MJD	MJD
DESCRIPTION		ECN		
A. REVISED DRAWING TITLE BLOCK.		02479-092		
RELEASED TO PRODUCTION		02479-092		

D101000DA/14