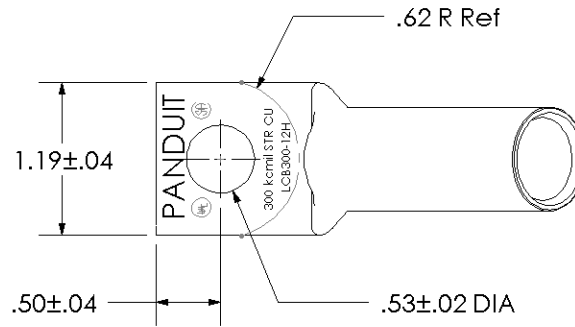
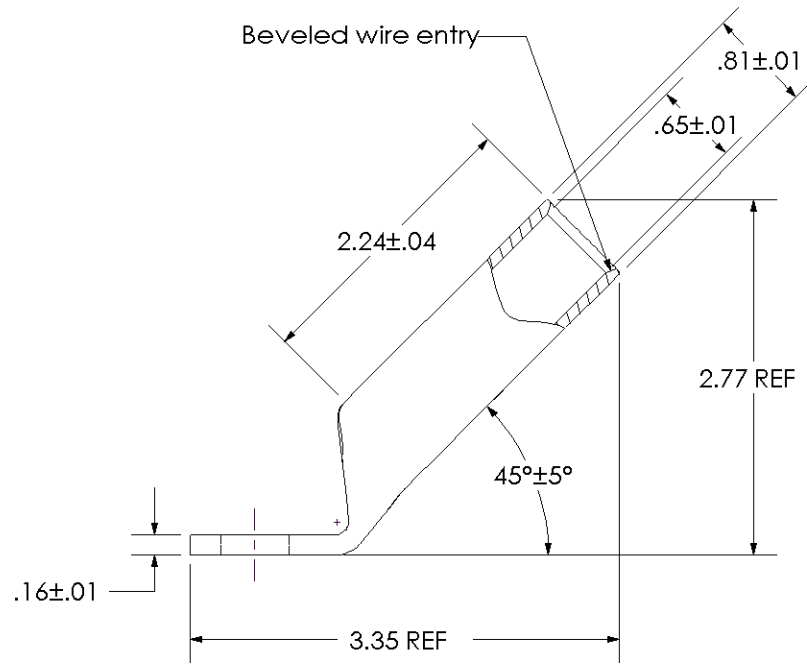


THIS COPY IS PROVIDED ON A RESTRICTED BASIS AND IS NOT TO BE USED IN ANY WAY DETRIMENTAL TO THE INTERESTS OF PANDUIT CORP.

Material	High Conductivity Seamless Copper Tube
Plating	Electro-Tin
Wire Size	300 kcmil
Wire Type	Stranded Copper; Class B: Compact, Compressed or Concentric, Class C: Concentric
Wire Strip Length	2-5/16 in.
Stud Size	1/2 in.
UL Listed Wire Connector	Yes, for applications up to 35kv. Consult cable manufacturer for voltage stress relief instructions with applications greater than 2000 volts.
UL Temperature Rating	90° C
C.S.A Certified Wire Connector	Yes
Panduit Color Code on Barrel	WHITE
Panduit Die Index No. on Barrel	P66
Alternate Industry Die Index No. () on Barrel	(17)



Color coded barrel markings



PANDUIT CORP. TINLEY PARK, ILLINOIS

LCB300-12H-X

Copper Lug - One-Hole, Long Barrel, 45° Angle Tongue

00	12/02	SAB	DRL
REV	DATE	BY	CHK

RELEASED
DESCRIPTION

10328
ECN

SCALE
N/A

DRAWING NO / CAD FILE

LCB300-12H-CUST