

Description

Silicon Laboratories' Si106x and Si108x Wireless MCUs combine high-performance wireless connectivity and ultra-low power microcontroller processing into a small 5x6 mm form factor. Support for all major frequency bands in the 142 to 1050 MHz range is provided including an integrated advanced packet handling engine and the ability to realize a link budget of up to 146 dB. The devices have been optimized to minimize energy consumption for battery-backed applications by minimizing TX, RX, active, and sleep mode current as well as supporting fast wake-up times. The Si106x and Si108x Wireless MCUs are available in a pin-compatible family of devices that scales from 8 to 64 kB of flash and provides a robust set of analog and digital peripherals including an ADC, dual comparators, timers, and GPIO. These Wireless MCUs are compliant with IEEE 802.15.4g and support worldwide regulatory standards including FCC, ETSI, and ARIB.

Features

Ultra-low power 8051 μ C Core

- 25 MHz, single-cycle 8051 compatible CPU
 - 25 MIPS peak throughput with 25 MHz clock
- Industry's lowest active and sleep currents
- 160 μ A/MHz: active mode
- 50 nA sleep with brownout detectors enabled
- 600 nA sleep w/internal RTC
- 2 μ s wake-up time
- On-chip debug

Memory

- Up to 64 kB of flash and 4 kB of RAM

Peripherals

- 10-bit analog-to-digital converter
 - Temperature sensor
- Dual comparators
- 11 general purpose I/O
 - UART, SPI, I²C
- Four general purpose 16-bit counter/timers
- Precision internal oscillators
 - 24.5 MHz with \pm 2% accuracy
 - Low power 20 MHz internal oscillator
- External oscillator: crystal, RC, C, CMOS clock
- RTC: 32.768 kHz crystal or self-oscillate



Transceiver Features

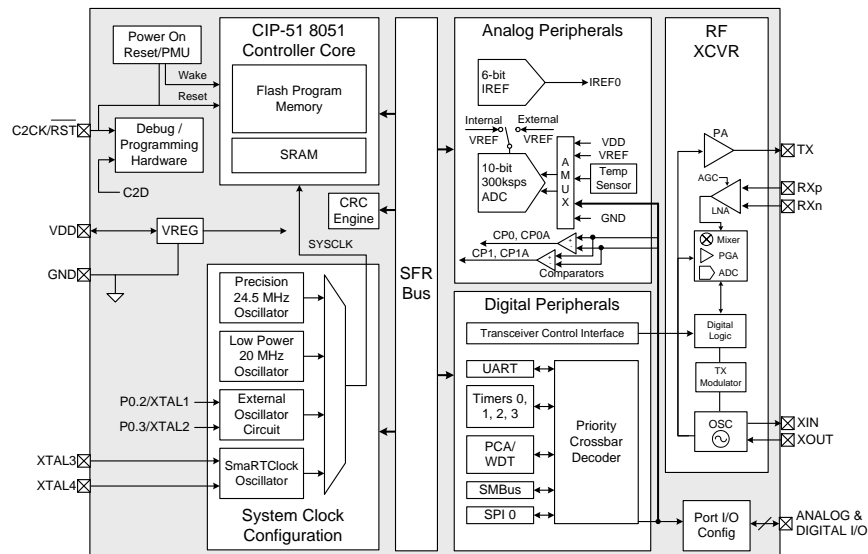
- Data rate up to 1 Mbps
- 142–1050 MHz frequency range
- On-chip crystal tuning
- –126 dBm receive sensitivity @ 500 bps, GFSK
- Modulation: OOK, (G)FSK, and 4(G)FSK
- Up to +20 dBm output power
- Low power consumption
 - 10.7 mA RX
 - 18 mA TX at +10 dBm
 - 30 nA shutdown, 50 nA standby
 - Fast wake and hop times
- Excellent selectivity performance
 - 60 dB adjacent channel
 - 73 dB blocking at 1 MHz
- Antenna diversity and T/R switch control
- Highly configurable packet handler
- TX and RX 64 byte FIFOs
- Auto frequency control (AFC)
- Automatic gain control (AGC)
- IEEE 802.15.4g compliant

System

- Supply voltage: 1.8 to 3.6 V
 - 0.9–3.6V operation with built-in dc–dc converter
 - Brownout detectors cover sleep and active modes
- Low battery detector
- Low BOM count
- 5x6 36-pin QFN package

Applications

- Home automation
- Home security
- Remote control
- Garage door openers
- Remote keyless Entry
- Home health care
- Smart metering
- Building Lighting control
- Building HVAC control
- Fire and Security monitoring
- Security and Access control
- Telemetry



Si106x/Si108x Family Selector Guide

Orderable Part Number	Radio	Flash	RAM	Frequency					Max Output Power	Max Data Rate	Sensitivity		Advanced Features*
				142–175 MHz	283–350 MHz	425–525 MHz	850–960 MHz	960–1050 MHz			Max	40 kbps, GFSK	
Si1060	EZRadioPRO	64 kB	4 kB	✓	✓	✓	✓	✓	+20 dBm	1 Mbps	-126 dBm	-110 dBm	Yes
Si1061	EZRadioPRO	32 kB	4 kB	✓	✓	✓	✓	✓	+20 dBm	1 Mbps	-126 dBm	-110 dBm	Yes
Si1062	EZRadioPRO	64 kB	4 kB	✓	✓	✓	✓	✓	+13 dBm	1 Mbps	-126 dBm	-110 dBm	Yes
Si1063	EZRadioPRO	32 kB	4 kB	✓	✓	✓	✓	✓	+13 dBm	1 Mbps	-126 dBm	-110 dBm	Yes
Si1064	EZRadio	64 kB	4 kB		✓	✓	✓		+13 dBm	500 kbps	-116 dBm	-108 dBm	No
Si1065	EZRadio	32 kB	4 kB		✓	✓	✓		+13 dBm	500 kbps	-116 dBm	-108 dBm	No
Si1080	EZRadioPRO	16 kB	768 bytes	✓	✓	✓	✓	✓	+20 dBm	1 Mbps	-126 dBm	-110 dBm	Yes
Si1081	EZRadioPRO	8 kB	768 bytes	✓	✓	✓	✓	✓	+20 dBm	1 Mbps	-126 dBm	-110 dBm	Yes
Si1082	EZRadioPRO	16 kB	768 bytes	✓	✓	✓	✓	✓	+13 dBm	1 Mbps	-126 dBm	-110 dBm	Yes
Si1083	EZRadioPRO	8 kB	768 bytes	✓	✓	✓	✓	✓	+13 dBm	1 Mbps	-126 dBm	-110 dBm	Yes
Si1084	EZRadio	16 kB	768 bytes		✓	✓	✓		+13 dBm	500 kbps	-116 dBm	-108 dBm	No
Si1085	EZRadio	8 kB	768 bytes		✓	✓	✓		+13 dBm	500 kbps	-116 dBm	-108 dBm	No

*Note: Advanced features include antenna diversity, narrowband support and autonomous low-duty cycle support. For a complete list, refer to the data sheet.

Development Kits

Orderable Part Number	Flash/RAM	Frequency	Output Power
1060-490-DK	64 kB/4 kB	490 MHz	+20 dBm
1062-868-DK	64 kB/4 kB	868 MHz	+13 dBm
1060-915-DK	64 kB/4 kB	915 MHz	+20 dBm
1064-434-DK	64 kB/4 kB	434 MHz	+13 dBm
1064-868-DK	64 kB/4 kB	868 MHz	+13 dBm
1064-915-DK	64 kB/4 kB	915 MHz	+13 dBm



Smart.
Connected.
Energy-Friendly



Products
www.silabs.com/products



Quality
www.silabs.com/quality



Support and Community
community.silabs.com

Disclaimer

Silicon Laboratories intends to provide customers with the latest, accurate, and in-depth documentation of all peripherals and modules available for system and software implementers using or intending to use the Silicon Laboratories products. Characterization data, available modules and peripherals, memory sizes and memory addresses refer to each specific device, and "Typical" parameters provided can and do vary in different applications. Application examples described herein are for illustrative purposes only. Silicon Laboratories reserves the right to make changes without further notice and limitation to product information, specifications, and descriptions herein, and does not give warranties as to the accuracy or completeness of the included information. Silicon Laboratories shall have no liability for the consequences of use of the information supplied herein. This document does not imply or express copyright licenses granted hereunder to design or fabricate any integrated circuits. The products must not be used within any Life Support System without the specific written consent of Silicon Laboratories. A "Life Support System" is any product or system intended to support or sustain life and/or health, which, if it fails, can be reasonably expected to result in significant personal injury or death. Silicon Laboratories products are generally not intended for military applications. Silicon Laboratories products shall under no circumstances be used in weapons of mass destruction including (but not limited to) nuclear, biological or chemical weapons, or missiles capable of delivering such weapons.

Trademark Information

Silicon Laboratories Inc., Silicon Laboratories, Silicon Labs, SiLabs and the Silicon Labs logo, CMEMS®, EFM, EFM32, EFR, Energy Micro, Energy Micro logo and combinations thereof, "the world's most energy friendly microcontrollers", Ember®, EZLink®, EZMac®, EZRadio®, EZRadioPRO®, DSPLL®, ISOmodem®, Precision32®, ProSLIC®, SiPHY®, USBXpress® and others are trademarks or registered trademarks of Silicon Laboratories Inc. ARM, CORTEX, Cortex-M3 and THUMB are trademarks or registered trademarks of ARM Holdings. Keil is a registered trademark of ARM Limited. All other products or brand names mentioned herein are trademarks of their respective holders.



Silicon Laboratories Inc.
400 West Cesar Chavez
Austin, TX 78701
USA

<http://www.silabs.com>