

## Product Brief

# TLE986x Infineon® Embedded Power IC

## 2-phase motor driver with integrated ARM® Cortex®-M3 MCU

The TLE986x family is part of the Infineon® embedded power IC portfolio. The TLE986x is a single chip 2-phase motor driver that integrates the industry standard ARM® Cortex®-M3 core, enabling the implementation of advanced motor control algorithms. It includes four fully integrated NFET drivers optimized to drive a 2-phase motor via four external power NFETs, a charge pump enabling low voltage operation and programmable current along with current slope control for optimized EMC behavior. Its peripheral set includes a current sensor, a successive approximation ADC synchronized with the capture and compare unit for PWM control and 16-bit timers. A LIN transceiver is also integrated to enable communication to the device along with a number of general purpose I/Os. It includes an on-chip linear voltage regulator to supply external loads.

The TLE986x family offers scalability in terms of flash memory sizes and MCU system clock frequency supporting a wide range of motor control algorithms. It uses the same MCU and peripherals as the TLE987x family, 3-phase driver, enabling design synergies between DC and BLDC motor control applications.

It is a highly integrated automotive (grade-1 & grade-0) qualified device enabling cost and space efficient solutions for mechatronic DC motor drive applications such as sunroof, power window lifts, exhaust flaps and water valves lift.

### Applications

- › Sunroof
- › Power window lift
- › Smart motor control via NFET H-bridge
- › Exhaust flaps
- › Water valves

### Key features

- › ARM® Cortex®-M3 MCU
- › System clock up to 40 MHz
- › Up to 128 KB flash memory
- › 4 K EEPROM emulation
- › NFET drivers with charge pump
- › Current programmable NFET driver with patented slope control for optimized EMC behavior
- › Integrated LIN transceiver compatible with LIN standard 2.2 and SAE J2602
- › Support fast programming via LIN
- › Direct Memory Access (DMA)
- › 10-bit SAR ADC for sensing
- › Timers for PWM signal generation for 2-phase motor control
- › On chip oscillator & PLL
- › Current sense amplifier
- › Grade-1 & grade-0 qualification

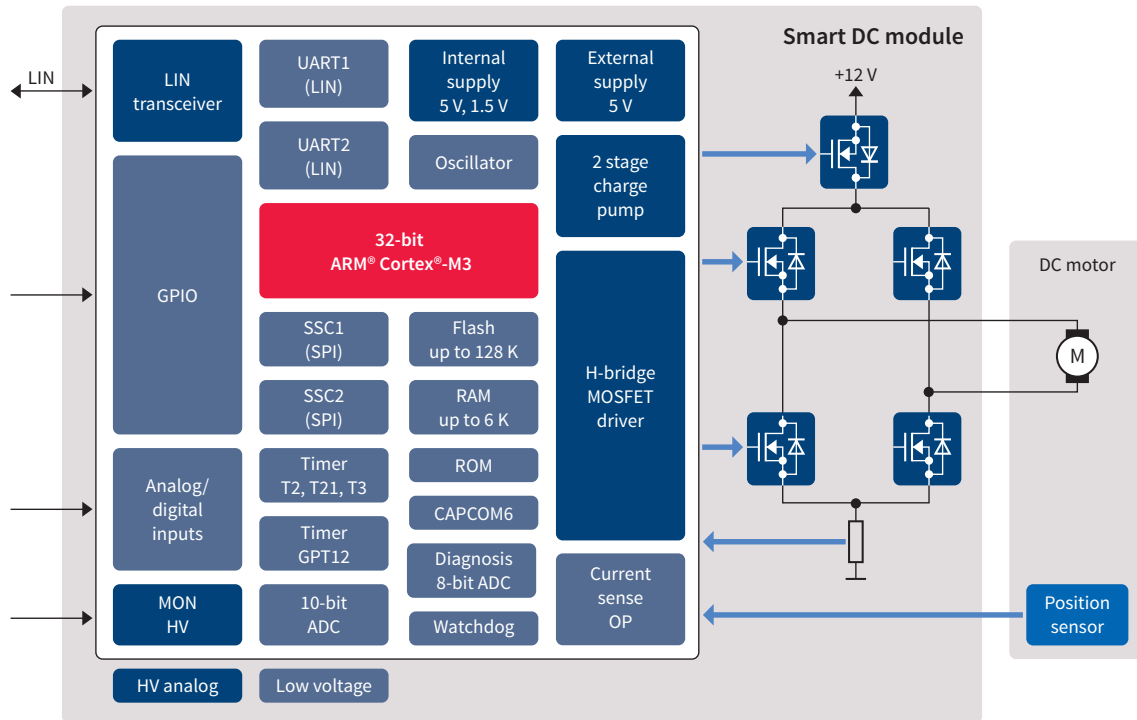
### Key benefits

- › Complete system-on-chip for DC motor control
- › Minimum number of external components reduce BOM cost
- › VQFN package with 7 x 7 mm footprint enable PCB space saving

# TLE986x Infineon® Embedded Power IC

2-phase motor driver with integrated ARM® Cortex®-M3 MCU

## Block diagram



## Product summary

Product name	Frequency [MHz]	Interface	RAM [KB]	Flash [KB]	EEPROM emulation [KB]	OP-AMP	Low-side MOSFET drivers	High-side MOSFET drivers
<b>TLE986x 32-bit µC with 2-phase NFET gate driver for DC motors (grade-1, T<sub>j</sub> = 150°C)</b>								
TLE9861QXA20	24	PWM	3	36	4	y	2	2
TLE9867QXA20	24	PWM + LIN	6	64	4	y	2	2
TLE9867QXA40	40	PWM + LIN	6	64	4	y	2	2
TLE9869QXA20	24	PWM + LIN	6	128	4	y	2	2
<b>TLE986x 32-bit µC with 2-phase NFET gate driver for DC motors (grade-0, T<sub>j</sub> = 175°C)</b>								
TLE9867QXW20	24	PWM + LIN	6	64	4	y	2	2

Published by  
Infineon Technologies AG  
81726 Munich, Germany

© 2017 Infineon Technologies AG.  
All Rights Reserved.

### Please note!

THIS DOCUMENT IS FOR INFORMATION PURPOSES ONLY AND ANY INFORMATION GIVEN HEREIN SHALL IN NO EVENT BE REGARDED AS A WARRANTY, GUARANTEE OR DESCRIPTION OF ANY FUNCTIONALITY, CONDITIONS AND/OR QUALITY OF OUR PRODUCTS OR ANY SUITABILITY FOR A PARTICULAR PURPOSE. WITH REGARD TO THE TECHNICAL SPECIFICATIONS OF OUR PRODUCTS, WE KINDLY ASK YOU TO REFER TO THE RELEVANT PRODUCT DATA SHEETS PROVIDED BY US. OUR CUSTOMERS AND THEIR TECHNICAL DEPARTMENTS ARE REQUIRED TO EVALUATE THE SUITABILITY OF OUR PRODUCTS FOR THE INTENDED APPLICATION.

WE RESERVE THE RIGHT TO CHANGE THIS DOCUMENT AND/OR THE INFORMATION GIVEN HEREIN AT ANY TIME.

### Additional information

For further information on technologies, our products, the application of our products, delivery terms and conditions and/or prices, please contact your nearest Infineon Technologies office ([www.infineon.com](http://www.infineon.com)).

### Warnings

Due to technical requirements, our products may contain dangerous substances. For information on the types in question, please contact your nearest Infineon Technologies office.

Except as otherwise explicitly approved by us in a written document signed by authorized representatives of Infineon Technologies, our products may not be used in any life-endangering applications, including but not limited to medical, nuclear, military, life-critical or any other applications where a failure of the product or any consequences of the use thereof can result in personal injury.