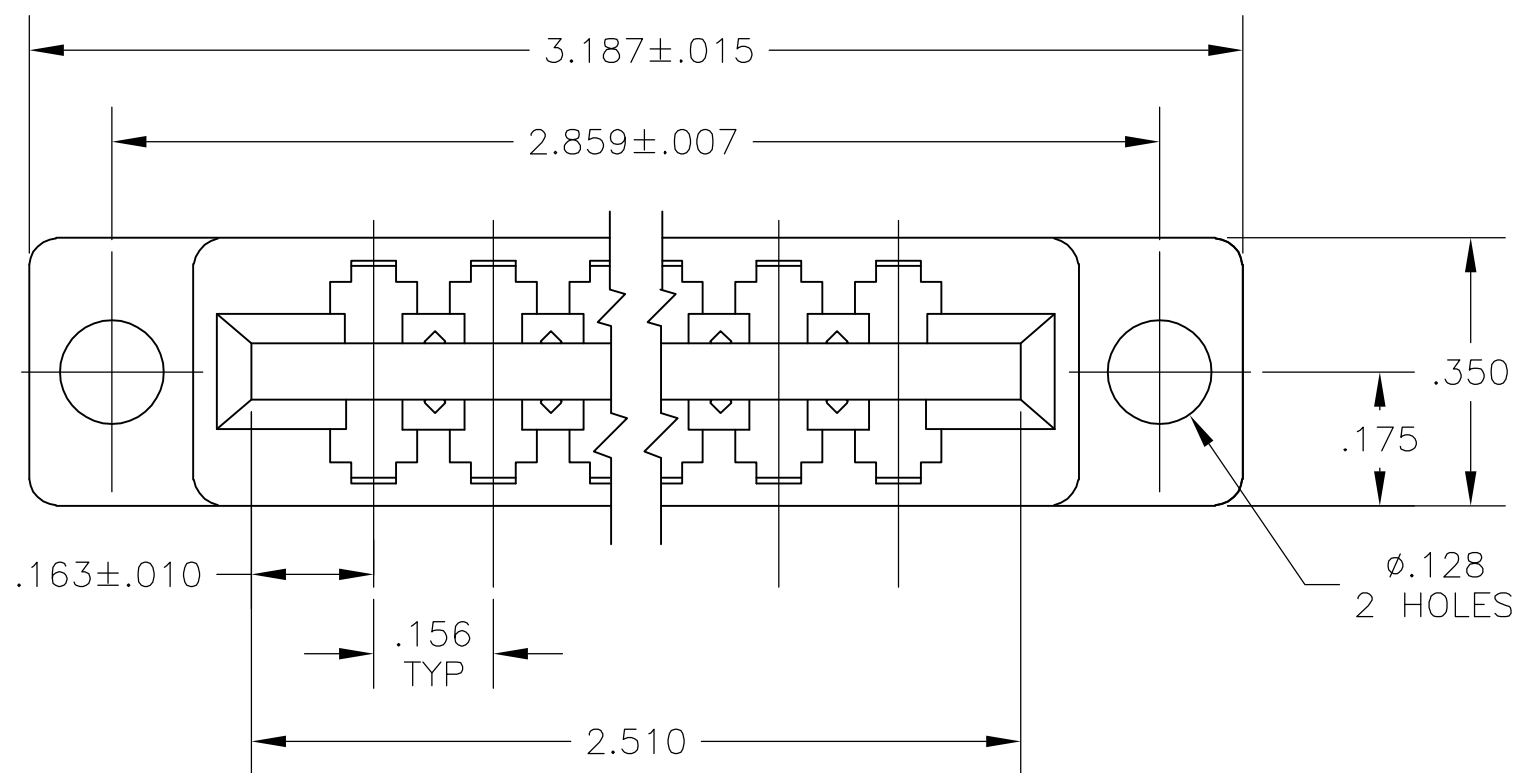
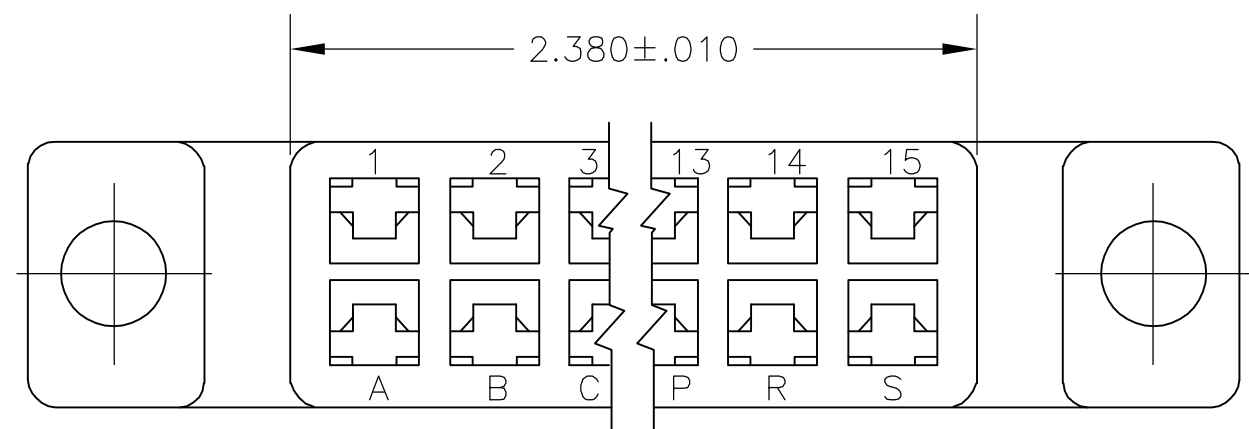
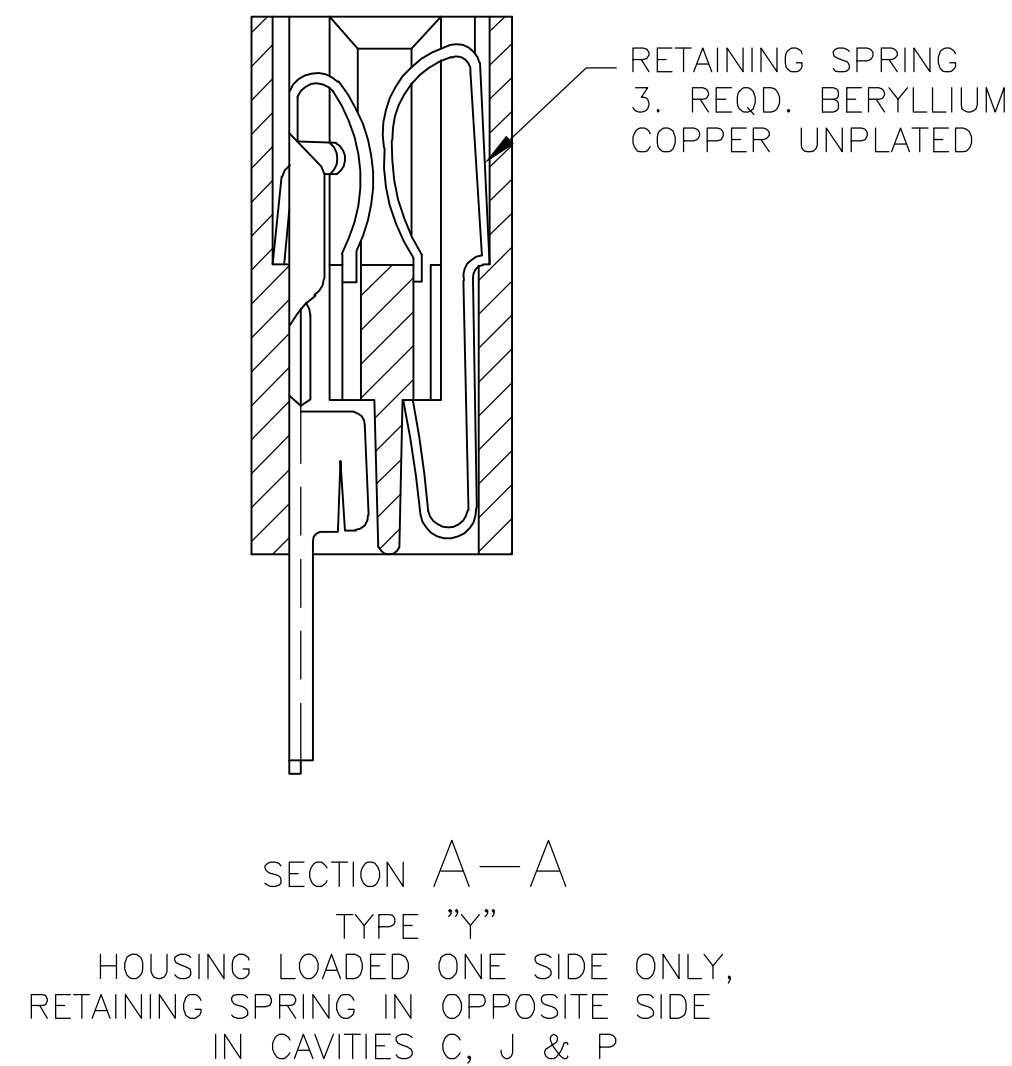
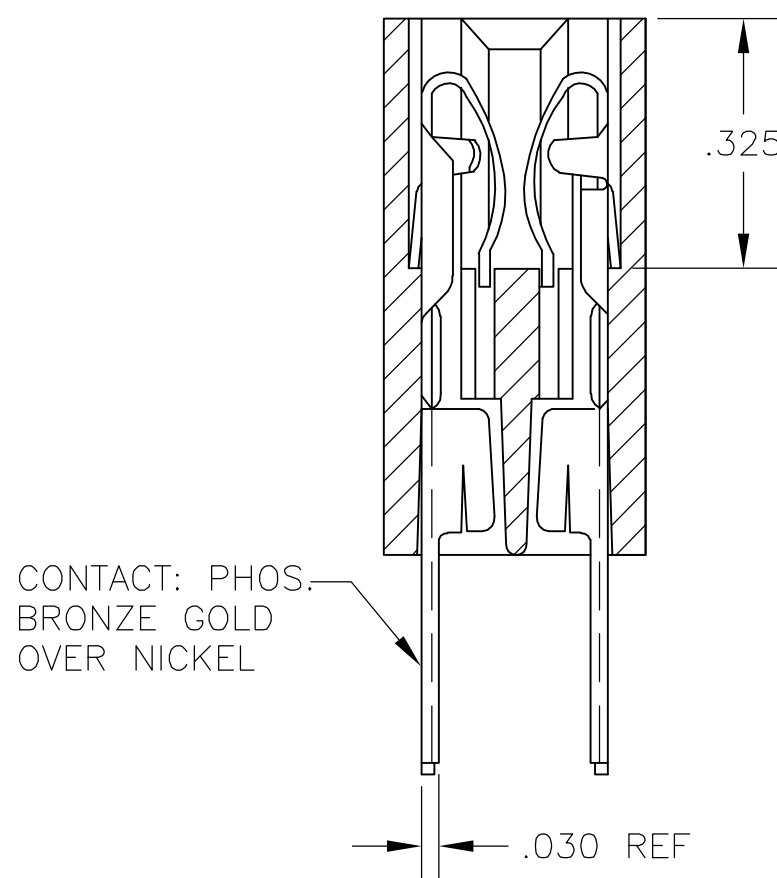
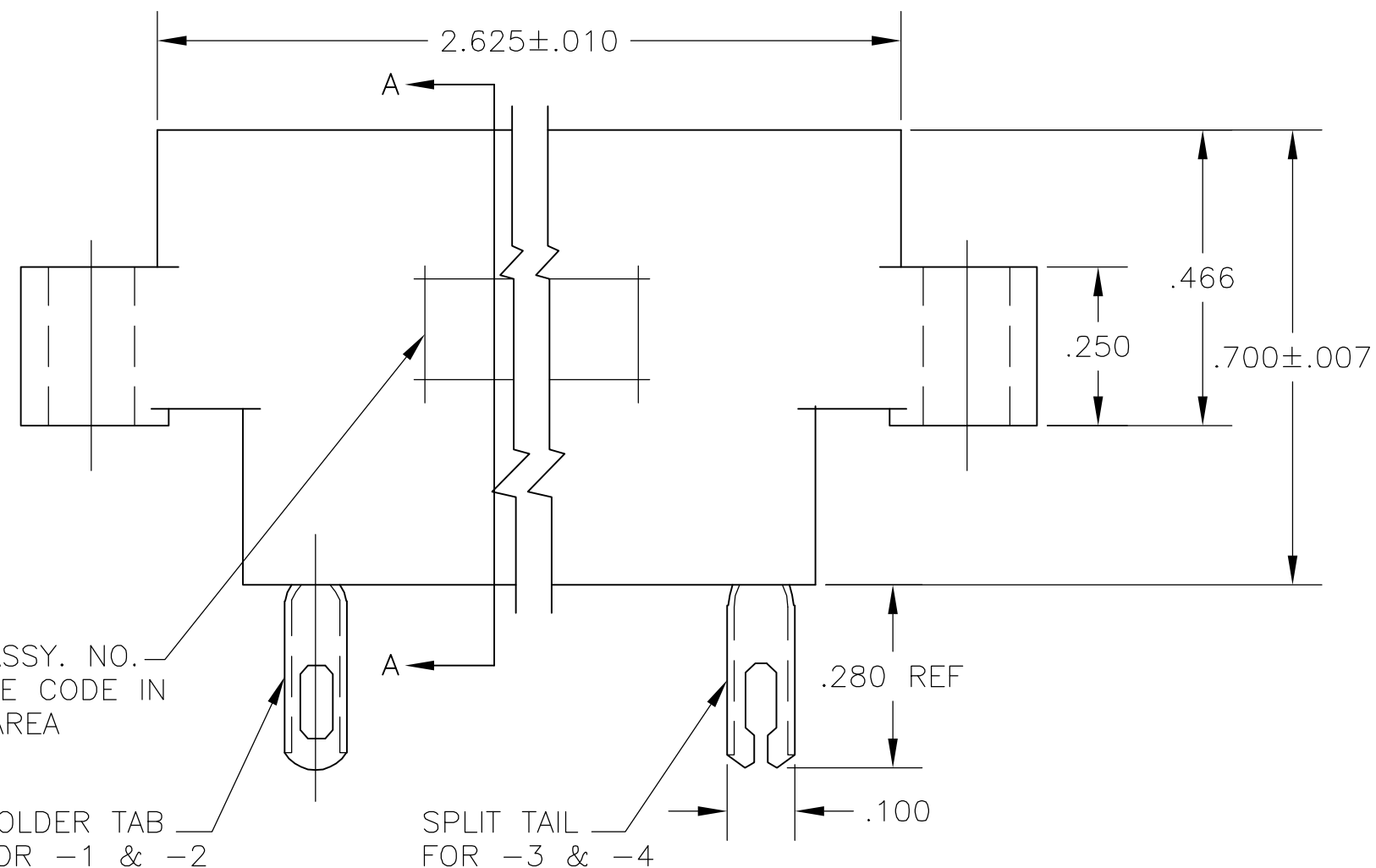


THIS DRAWING IS UNPUBLISHED. RELEASED FOR PUBLICATION  
 © COPYRIGHT BY TYCO ELECTRONICS CORPORATION. ALL RIGHTS RESERVED.

LOC		DIST		REVISIONS			
P	LTR	DESCRIPTION	DATE	DWN	APVD		
F		ECO 05 006325	02AUG06	BSV	MK		



- BOARD THICKNESS .070-.055
- TAB WILL ACCOMODATE A MAX. OF 2#16 SOLID WIRES OR A MAX. OF 2-#18 STRANDED WIRES
- MATTE TIN PLATED CONTACT TAILS



	X	3 5-582772-3
OBSOLETE	Y	582772-4
	X	582772-3
OBSOLETE	Y	582772-2
OBSOLETE	X	582772-1
	TYPE	PART NO.

THIS DRAWING IS A CONTROLLED DOCUMENT.		DWN RUMBLE 23AUG67	<b>tyco</b> Electronics		Tyco Electronics Corporation Harrisburg, Pa 17105-3608	
DIMENSIONS: INCHES		CHK D.S.HEIDE 30FEB68			NAME	
TOLERANCES UNLESS OTHERWISE SPECIFIED:		APVD -	PRODUCT SPEC		RESTRICTED TO	
0 PLC ± -		APPLICATION SPEC		SIZE		CAGE CODE
1 PLC ± -		-		A2		00779
2 PLC ± -		-		DRAWING NO		C=582772
3 PLC ± -		-		SCALE		4:1
4 PLC ± -		-		SHEET		1 OF 1
ANGLES ± -		WEIGHT		REV		F
FINISH		CUSTOMER DRAWING		SCALE		4:1
SEE CALLOUT		SCALE		SHEET		1 OF 1