

## AC'97 Audio and Touchpanel Codec

### DESCRIPTION

The WM9713L is a highly integrated input/output device designed for mobile computing and communications.

The chip is architected for dual CODEC operation, supporting hi-fi stereo CODEC functions via the AC link interface, and additionally supporting voice CODEC functions via a PCM type Synchronous Serial Port (SSP). A third, auxiliary DAC is provided which may be used to support generation of supervisory tones, or ring-tones at different sample rates to the main CODEC.

The device can connect directly to a 4-wire or 5-wire touchpanel, mono or stereo microphones, stereo headphones and a stereo speaker, reducing total component count in the system. Cap-less connections to the headphones, speakers, and earpiece may be used, saving cost and board area. Additionally, multiple analogue input and output pins are provided for seamless integration with analogue connected wireless communication devices.

All device functions are accessed and controlled through a single AC-Link interface compliant with the AC'97 standard. The 24.576MHz master clock can be input directly or generated internally from a 13MHz (or other frequency) clock by an on-chip PLL. The PLL supports a wide range of input clock from 2.048MHz to 78.6MHz.

The WM9713L operates at supply voltages from 1.8V to 3.6V. Each section of the chip can be powered down under software control to save power. The device is available in a small leadless 7x7mm QFN package, ideal for use in hand-held portable systems.

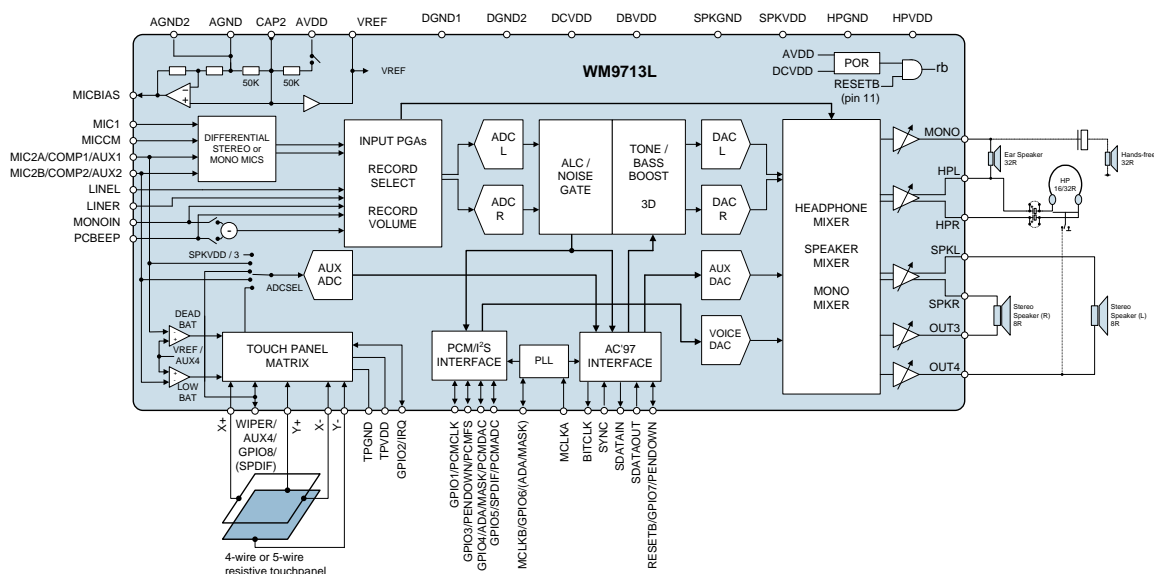
### FEATURES

- AC'97 Rev 2.2 compatible stereo CODEC
  - DAC SNR 94dB, THD -85dB
  - ADC SNR 87dB, THD -86dB
  - Variable Rate Audio, supports all WinCE sample rates
  - Tone Control, Bass Boost and 3D Enhancement
- On-chip 45mW headphone driver
- On-chip 400mW mono or stereo speaker drivers
- Stereo, mono or differential microphone input
  - Automatic Level Control (ALC)
  - Mic insert and mic button press detection
- Auxiliary mono DAC (ring tone or DC level generation)
- Seamless interface to wireless chipset
- Resistive touchpanel interface
  - Supports 4-wire and 5-wire panels
  - 12-bit resolution, INL  $\pm 2$  LSBs (<0.5 pixels)
  - X, Y and touch-pressure (Z) measurement
  - Pen-down detection supported in Sleep Mode
- Additional PCM/I<sup>2</sup>S interface to support voice CODEC
- PLL derived audio clocks.
- Supports input clock ranging from 2.048MHz to 78.6MHz
- 1.8V to 3.6V supplies (digital down to 1.62V, speaker up to 4.2V)
- 7x7mm 48-lead QFN package

### APPLICATIONS

- Smartphones
- Personal Digital Assistants (PDA)
- Handheld and Tablet Computers

### BLOCK DIAGRAM

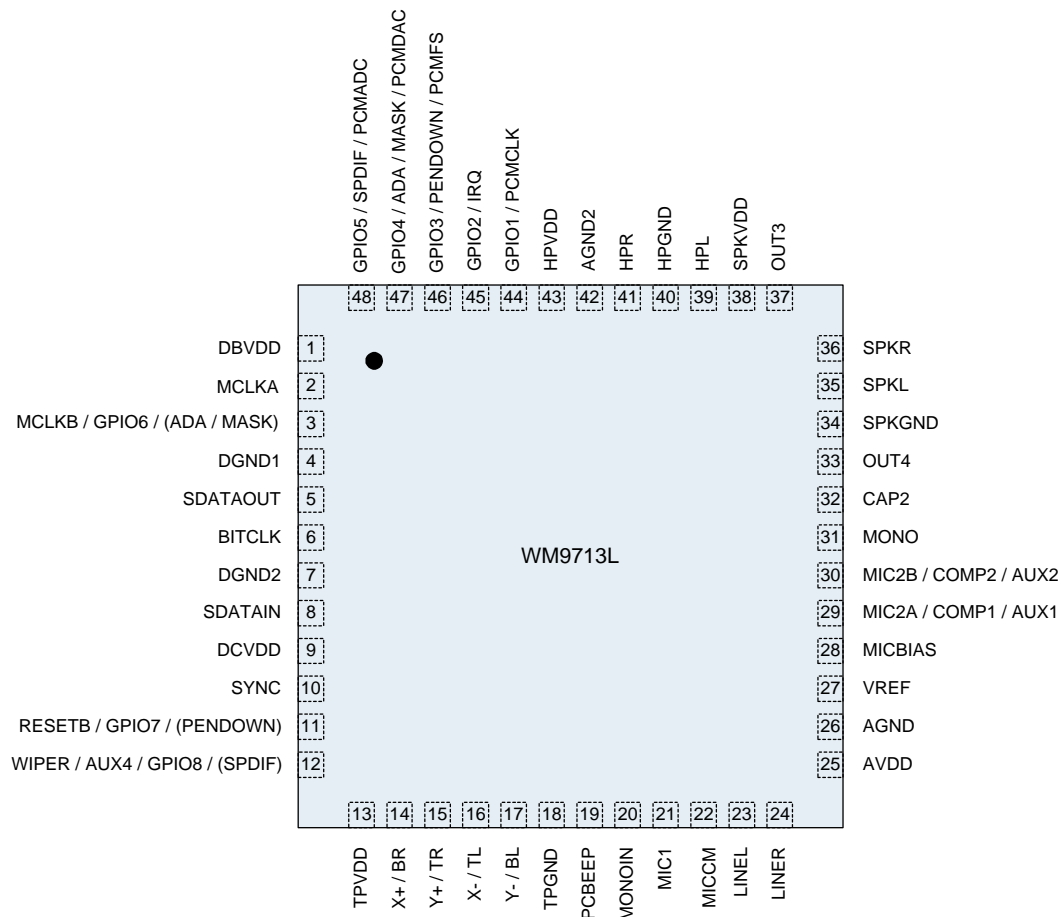


**TABLE OF CONTENTS**

<b>DESCRIPTION</b> .....	<b>1</b>
<b>FEATURES</b> .....	<b>1</b>
<b>APPLICATIONS</b> .....	<b>1</b>
<b>BLOCK DIAGRAM</b> .....	<b>1</b>
<b>TABLE OF CONTENTS</b> .....	<b>2</b>
<b>PIN CONFIGURATION</b> .....	<b>4</b>
<b>ORDERING INFORMATION</b> .....	<b>4</b>
<b>PIN DESCRIPTION</b> .....	<b>4</b>
<b>ABSOLUTE MAXIMUM RATINGS</b> .....	<b>6</b>
<b>RECOMMENDED OPERATING CONDITIONS</b> .....	<b>6</b>
<b>ELECTRICAL CHARACTERISTICS</b> .....	<b>7</b>
AUDIO OUTPUTS.....	7
AUDIO INPUTS.....	8
AUXILIARY MONO DAC (AUXDAC).....	8
PCM VOICE DAC (VXDAC).....	8
TOUCHPANEL AND AUXILIARY ADC .....	9
COMPARATORS .....	9
REFERENCE VOLTAGES .....	9
DIGITAL INTERFACE CHARACTERISTICS .....	10
<b>POWER CONSUMPTION</b> .....	<b>10</b>
<b>SIGNAL TIMING REQUIREMENTS</b> .....	<b>11</b>
AC97 INTERFACE TIMING.....	11
PCM AUDIO INTERFACE TIMING – SLAVE MODE .....	15
PCM AUDIO INTERFACE TIMING – MASTER MODE.....	16
<b>DEVICE DESCRIPTION</b> .....	<b>17</b>
INTRODUCTION.....	17
AUDIO PATHS OVERVIEW.....	19
CLOCK GENERATION .....	20
CLOCK DIVISION MODES .....	20
PLL MODE .....	22
DIGITAL INTERFACES.....	25
AC97 INTERFACE .....	26
PCM INTERFACE .....	26
<b>AUDIO ADCS</b> .....	<b>32</b>
STEREO ADC .....	32
RECORD SELECTOR.....	33
RECORD GAIN.....	34
AUTOMATIC LEVEL CONTROL.....	35
<b>AUDIO DACS</b> .....	<b>39</b>
STEREO DAC .....	39
VOICE DAC.....	41
AUXILIARY DAC .....	42
<b>VARIABLE RATE AUDIO / SAMPLE RATE CONVERSION</b> .....	<b>44</b>
<b>AUDIO INPUTS</b> .....	<b>45</b>
LINE INPUT.....	45
MICROPHONE INPUT .....	45
MONOIN INPUT .....	50
PCBEEP INPUT .....	51
DIFFERENTIAL MONO INPUT .....	52

<b>AUDIO MIXERS</b> .....	<b>53</b>
MIXER OVERVIEW.....	53
HEADPHONE MIXERS.....	53
SPEAKER MIXER.....	53
MONO MIXER.....	54
MIXER OUTPUT INVERTERS.....	54
<b>ANALOGUE AUDIO OUTPUTS</b> .....	<b>55</b>
HEADPHONE OUTPUTS – HPL AND HPR.....	55
MONO OUTPUT.....	56
SPEAKER OUTPUTS – SPKL AND SPKR.....	57
AUXILIARY OUTPUTS – OUT3 AND OUT4.....	58
THERMAL SENSOR.....	60
JACK INSERTION AND AUTO-SWITCHING.....	60
<b>DIGITAL AUDIO (S/PDIF) OUTPUT</b> .....	<b>64</b>
<b>TOUCHPANEL INTERFACE</b> .....	<b>65</b>
PRINCIPLE OF OPERATION – FOUR-WIRE TOUCHPANEL.....	66
PRINCIPAL OF OPERATION – FIVE-WIRE TOUCHPANEL.....	68
CONTROLLING THE TOUCHPANEL DIGITISER.....	69
<b>ADDITIONAL FEATURES</b> .....	<b>78</b>
AUXILIARY ADC INPUTS.....	78
BATTERY ALARM AND ANALOGUE COMPARATORS.....	79
GPIO AND INTERRUPT CONTROL.....	82
<b>POWER MANAGEMENT</b> .....	<b>86</b>
INTRODUCTION.....	86
AC97 CONTROL REGISTER.....	86
EXTENDED POWERDOWN REGISTERS.....	87
ADDITIONAL POWER MANAGEMENT.....	89
POWER-ON RESET (POR).....	90
<b>REGISTER MAP</b> .....	<b>91</b>
REGISTER BITS BY ADDRESS.....	92
<b>APPLICATIONS INFORMATION</b> .....	<b>123</b>
RECOMMENDED EXTERNAL COMPONENTS.....	123
LINE OUTPUT.....	124
AC-COUPLED HEADPHONE OUTPUT.....	124
DC-COUPLED (CAPLESS) HEADPHONE OUTPUT.....	125
BTL LOUDSPEAKER OUTPUT.....	125
COMBINED HEADSET / BTL EAR SPEAKER.....	126
COMBINED HEADSET / SINGLE-ENDED EAR SPEAKER.....	126
JACK INSERT DETECTION.....	127
HOOKSWITCH DETECTION.....	127
TYPICAL OUTPUT CONFIGURATIONS.....	128
<b>PACKAGE DIMENSIONS</b> .....	<b>131</b>
<b>IMPORTANT NOTICE</b> .....	<b>132</b>
<b>REVISION HISTORY</b> .....	<b>133</b>

## PIN CONFIGURATION



## ORDERING INFORMATION

DEVICE	TEMPERATURE RANGE	PACKAGE	MOISTURE SENSITIVITY LEVEL	PEAK SOLDERING TEMPERATURE
WM9713CLGEFL/V	-25 to +85°C	48-lead QFN (Pb-free)	MSL3	260°C
WM9713CLGEFL/RV	-25 to +85°C	48-lead QFN (Pb-free, tape and reel)	MSL3	260°C

**Note:**

Reel quantity = 2,200

## PIN DESCRIPTION

PIN	NAME	TYPE	DESCRIPTION
1	DBVDD	Supply	Digital I/O Buffer Supply
2	MCLKA	Digital Input	Master Clock A Input
3	MCLKB / GPIO6 / (ADA / MASK)	Digital In/Out	Master Clock B Input / GPIO6 / (ADA output / MASK input)
4	DGND1	Supply	Digital Ground (return path for both DCVDD and DBVDD)
5	SDATAOUT	Digital Input	Serial Data Output from Controller / Input to WM9713L
6	BITCLK	Digital Output	Serial Interface Clock Output to Controller

PIN	NAME	TYPE	DESCRIPTION
7	DGND2	Supply	Digital Ground (return path for both DCVDD and DBVDD)
8	SDATAIN	Digital Output	Serial Data Input to Controller / Output from WM9713L
9	DCVDD	Supply	Digital Core Supply
10	SYNC	Digital Input	Serial Interface Synchronisation Pulse from Controller
11	RESETB / GPIO7 / (PENDOWN)	Digital In / Out	Reset (asynchronous, active Low, resets all registers to their default) / GPIO7 / (pen down output)
12	WIPER / AUX4 / GPIO8 / (S/PDIF)	Analogue In / Out	Top Sheet Connection for 5-wire Touchpanels / Auxiliary ADC input / GPIO8 / (S/PDIF digital audio output)
13	TPVDD	Supply	Touchpanel Driver Supply
14	X+ / BR	Analogue Input	Touchpanel Connection: X+ (Right) for 4-wire / bottom right for 5-wire
15	Y+ / TR	Analogue Input	Touchpanel Connection: Y+ (Top) for 4-wire / top right for 5-wire
16	X- / TL	Analogue Input	Touchpanel Connection: X- (Left) for 4-wire / top left for 5-wire
17	Y- / BL	Analogue Input	Touchpanel Connection: Y- (Bottom) for 4-wire / bottom left for 5-wire
18	TPGND	Supply	Touchpanel Driver Ground
19	PCBEEP	Analogue Input	Line Input to analogue audio mixers, typically used for beeps
20	MONOIN	Analogue Input	Mono Input (RX)
21	MIC1	Analogue Input	Microphone preamp A input 1
22	MICCM	Analogue Input	Microphone common mode input
23	LINEL	Analogue Input	Left Line Input
24	LINER	Analogue Input	Right Line Input
25	AVDD	Supply	Analogue Supply (audio DACs, ADCs, PGAs, mic amps, mixers)
26	AGND	Supply	Analogue Ground
27	VREF	Analogue Output	Internal Reference Voltage (buffered CAP2)
28	MICBIAS	Analogue Output	Bias Voltage for Microphones (buffered CAP2 × 1.8)
29	MIC2A / COMP1 / AUX1	Analogue Input	Microphone preamp A input 2 / COMP1 input / Auxiliary ADC input
30	MIC2B / COMP2 / AUX2	Analogue Input	Microphone preamp B input / COMP2 input / Auxiliary ADC input
31	MONO	Analogue output	Mono output driver (line or headphone)
32	CAP2	Analogue In / Out	Internal Reference Voltage (normally AVDD/2, if not overdriven)
33	OUT4	Analogue Output	Auxiliary output driver (speaker, line or headphone)
34	SPKGND	Supply	Speaker ground (feeds output buffers on pins 33, 35, 36 and 37)
35	SPKL	Analogue Output	Left speaker driver (speaker, line or headphone)
36	SPKR	Analogue Output	Right speaker driver (speaker, line or headphone)
37	OUT3	Analogue Output	Auxiliary output driver (speaker, line or headphone)
38	SPKVDD	Supply	Speaker supply (feeds output buffers on pins 33, 35, 36 and 37)
39	HPL	Analogue Output	Headphone left driver (line or headphone)
40	HPGND	Supply	Headphone ground (feeds output buffers on pins 39 and 41)
41	HPR	Analogue Output	Headphone right driver (line or headphone)
42	AGND2	Supply	Analogue ground, chip substrate
43	HPVDD	Supply	Headphone supply (feeds output buffers on pins 39 and 41)
44	GPIO1 / PCMCLK	Digital In / Out	GPIO Pin 1 / PCM interface clock
45	GPIO2 / IRQ	Digital In / Out	GPIO Pin 2 / IRQ (Interrupt Request) output
46	GPIO3 / PENDOWN / PCMFS	Digital In / Out	GPIO Pin 3 / pen down output or PCM frame signal
47	GPIO4 / ADA / MASK / PCMDAC	Digital In / Out	GPIO Pin 4 / ADA (ADC data available) output or Mask input / PCM input (DAC) data
48	GPIO5 / S/PDIF / PCMADC	Digital In / Out	GPIO Pin 5 / S/PDIF digital audio output / PCM output (ADC) data
49	GND_PADDLE		Die Paddle (Note 1)

**Note:**

1. It is recommended that the GND\_PADDLE is connected to analogue ground. Refer to “Recommended External Components” and “Package Dimensions” for further information.

## ABSOLUTE MAXIMUM RATINGS

Absolute Maximum Ratings are stress ratings only. Permanent damage to the device may be caused by continuously operating at or beyond these limits. Device functional operating limits and guaranteed performance specifications are given under Electrical Characteristics at the test conditions specified.



ESD Sensitive Device. This device is manufactured on a CMOS process. It is therefore generically susceptible to damage from excessive static voltages. Proper ESD precautions must be taken during handling and storage of this device.

Cirrus Logic tests its package types according to IPC/JEDEC J-STD-020B for Moisture Sensitivity to determine acceptable storage conditions prior to surface mount assembly. These levels are:

MSL1 = unlimited floor life at <30°C / 85% Relative Humidity. Not normally stored in moisture barrier bag.

MSL2 = out of bag storage for 1 year at <30°C / 60% Relative Humidity. Supplied in moisture barrier bag.

MSL3 = out of bag storage for 168 hours at <30°C / 60% Relative Humidity. Supplied in moisture barrier bag.

The Moisture Sensitivity Level for each package type is specified in Ordering Information.

CONDITION	MIN	MAX
Digital supply voltages (DCVDD, DBVDD)	-0.3V	+3.63V
Analogue supply voltages (AVDD, HPVDD, TPVDD)	-0.3V	+3.63V
Speaker supply voltage (SPKVDD)	-0.3V	+4.2V
Touchpanel supply voltage (TPVDD)		AVDD +0.3V
Voltage range digital inputs	DGND -0.3V	DBVDD +0.3V
Voltage range analogue inputs	AGND -0.3V	AVDD +0.3V
Voltage range touchpanel Inputs X+, X-, Y+ and Y-		TPVDD +0.3V
Voltage range touchpanel Inputs X+, X-, Y+ and Y-		AVDD +0.3V
Operating temperature range, T <sub>A</sub>	-25°C	+85°C

## RECOMMENDED OPERATING CONDITIONS

PARAMETER	SYMBOL	TEST CONDITIONS	MIN	TYP	MAX	UNIT
Digital input/output buffer supply range	DBVDD		1.71	3.3	3.6	V
Digital core supply range	DCVDD		1.71	1.8	3.6	V
Analogue supply range	AVDD, HPVDD, TPVDD		1.8	3.3	3.6	V
Speaker supply range	SPKVDD		1.8	3.3	4.2	V
Digital ground	DGND1, DGND2			0		V
Analogue ground	AGND, HPGND, SPKGND, TPGND			0		V
Difference AGND to DGND		Note 1	-0.3	0	+0.3	V

### Notes:

1. AGND is normally the same as DGND1/DGND2
2. DCVDD <= DBVDD and DCVDD <= AVDD
3. DCVDD should be >=2V when using the PLL

**ELECTRICAL CHARACTERISTICS**
**AUDIO OUTPUTS**
**Test Conditions**

DBVDD=3.3V, DCVDD = 3.3V, AVDD=HPVDD=SPKVDD =3.3V, T<sub>A</sub> = +25°C, 1kHz signal, fs = 48kHz, 24-bit audio data unless otherwise stated.

PARAMETER	SYMBOL	TEST CONDITIONS	MIN	TYP	MAX	UNIT
<b>DAC to Line-Out (HPL/R, SPKL/R or MONO with 10kΩ / 50pF load)</b>						
Full-scale output (0dBFS)		AVDD = 3.3V, PGA gains set to 0dB		1		V rms
Signal to Noise Ratio (A-weighted)	SNR		85	94		dB
Total Harmonic Distortion	THD	-3dB output		-85	-74	dB
Power Supply Rejection	PSRR	100mV, 20Hz to 20kHz signal on AVDD		50		dB
<b>Speaker Output (SPKL/SPKR with 8Ω bridge tied load, INV=1)</b>						
Output Power at 1% THD	P <sub>O</sub>	THD = 1%		400		mW (rms)
Abs. max output power	P <sub>Omax</sub>			500		mW (rms)
Total Harmonic Distortion	THD	P <sub>O</sub> = 200mW		-66 0.05		dB %
Signal to Noise Ratio (A-weighted)	SNR			90		dB
<b>Stereo Speaker Output (SPKL/OUT4 and SPKR/OUT3 with 8Ω bridge tied load, INV=1)</b>						
Output Power at 1% THD	P <sub>O</sub>	THD = 1%		400		mW (rms)
Abs. max output power	P <sub>Omax</sub>			500		mW (rms)
Total Harmonic Distortion	THD	P <sub>O</sub> = 200mW		-66 0.05		dB %
Signal to Noise Ratio (A-weighted)	SNR			90		dB
<b>Headphone Output (HPL/R, OUT3/4 or SPKL/SPKR with 16Ω or 32Ω load)</b>						
Output Power per channel	P <sub>O</sub>	Output power is very closely correlated with THD; see below.				
Total Harmonic Distortion	THD	P <sub>O</sub> =10mW, R <sub>L</sub> =16Ω		-80		dB
		P <sub>O</sub> =10mW, R <sub>L</sub> =32Ω		-80		
		P <sub>O</sub> =20mW, R <sub>L</sub> =16Ω		-78		
		P <sub>O</sub> =20mW, R <sub>L</sub> =32Ω		-79		
Signal to Noise Ratio (A-weighted)	SNR			90		dB

**Note:**

- All THD values are valid for the output power level quoted above – for example, at HPVDD=3.3V and R<sub>L</sub>=16Ω, THD is –80dB when output power is 10mW. Higher output power is possible, but will result in deterioration in THD.

**AUDIO INPUTS**
**Test Conditions**

 DBVDD=3.3V, DCVDD = 3.3V, AVDD = 3.3V, T<sub>A</sub> = +25°C, 1kHz signal, fs = 48kHz, 24-bit audio data unless otherwise stated.

PARAMETER	SYMBOL	TEST CONDITIONS	MIN	TYP	MAX	UNIT
<b>LINEL/R, MIC1/2A/2B, MONOIN and PCBEEP pins</b>						
Full Scale Input Signal Level (0dBFS)	V <sub>INFS</sub>	AVDD = 3.3V		1.0		Vrms
		AVDD = 1.8V		0.545		
		differential input mode (MS = 01) AVDD = 3.3V		0.5		
		differential input mode (MS = 01) AVDD = 1.8V		0.273		
Input Resistance	R <sub>IN</sub>	0dB PGA gain	25.6	32	38.4	kΩ
		12dB PGA gain	10.4	13	15.6	
Input Capacitance				5		pF
<b>Line input to ADC (LINEL, LINER, MONOIN)</b>						
Signal to Noise Ratio (A-weighted)	SNR		80	87		dB
Total Harmonic Distortion	THD	-3dBFS input		-86	-80	dB
Power Supply Rejection	PSRR	20Hz to 20kHz		50		dB
<b>Microphone input to ADC (MIC1/2A/2B pins)</b>						
Signal to Noise Ratio (A-weighted)	SNR	20dB boost enabled		80		dB
Total Harmonic Distortion	THD	20dB boost enabled		-80		dB

**AUXILIARY MONO DAC (AUXDAC)**
**Test Conditions**

 DBVDD=3.3V, DCVDD = 3.3V, AVDD = 3.3V, T<sub>A</sub> = +25°C, 1kHz signal, fs = 8kHz, 24-bit audio data unless otherwise stated.

PARAMETER	SYMBOL	TEST CONDITIONS	MIN	TYP	MAX	UNIT
Resolution				12		bits
Full scale output voltage		AVDD=3.3V		1		Vrms
Signal to Noise Ratio (A-weighted)	SNR		65	71		dB
Total Harmonic Distortion	THD	0dBFS input	50	63		dB

**PCM VOICE DAC (VXDAC)**
**Test Conditions**

 DBVDD=3.3V, DCVDD = 3.3V, AVDD = 3.3V, T<sub>A</sub> = +25°C, 1kHz signal, fs = 8kHz, 24-bit audio data unless otherwise stated.

PARAMETER	SYMBOL	TEST CONDITIONS	MIN	TYP	MAX	UNIT
Resolution				16		bits
Sample rates				8	16	Ks/s
Full scale output voltage		AVDD=3.3V		1		Vrms
Signal to Noise Ratio (A-weighted)	SNR			80		dB
Total Harmonic Distortion	THD			74		dB



**TOUCHPANEL AND AUXILIARY ADC**
**Test Conditions**

 DBVDD = 3.3V, DCVDD = 3.3V, AVDD = 3.3V, T<sub>A</sub> = +25°C, unless otherwise stated.

PARAMETER	SYMBOL	TEST CONDITIONS	MIN	TYP	MAX	UNIT
<b>Input Pins X+, X-, Y+, Y-, WIPER/AUX4, COMP1/AUX1, COMP2/AUX2</b>						
Input Voltage			AGND		AVDD	V
Input leakage current		AUX pin not selected as AUX ADC input		<10		nA
ADC Resolution				12		bits
Differential Non-Linearity Error	DNL			±0.25	±1	LSB
Integral Non-Linearity Error	INL				±2	LSB
Offset Error					±4	LSB
Gain Error					±6	LSB
Power Supply Rejection	PSRR			50		dB
Channel-to-channel isolation				80		dB
Throughput Rate		DEL = 1111 (zero settling time)			48	kHz
Settling Time (programmable)		MCLK = 24.576MHz	0		6	ms
Switch matrix resistance				20		Ω
Programmable Pull-up resistor	R <sub>PU</sub>	RPU = 000001	1		63	kΩ
Pen down detector threshold				VDD/2		V
Pressure measurement current	I <sub>P</sub>	PIL = 1		400		μA
		PIL = 0		200		

**COMPARATORS**
**Test Conditions**

 DBVDD = 3.3V, DCVDD = 3.3V, AVDD = 3.3V, T<sub>A</sub> = +25°C, unless otherwise stated.

PARAMETER	SYMBOL	TEST CONDITIONS	MIN	TYP	MAX	UNIT
<b>COMP1/AUX1 and COMP2/AUX2 (pins 29, 30 – when not used as mic inputs)</b>						
Input Voltage			AGND		AVDD	V
Input leakage current		pin not selected as AUX ADC input		<10		nA
Comparator Input Offset (COMP1, COMP2 only)			-50		+50	mV
COMP2 delay (COMP2 only)		MCLK = 24.576MHz	0		10.9	s

**REFERENCE VOLTAGES**
**Test Conditions**

 DBVDD=3.3V, DCVDD = 3.3V, AVDD = 3.3V, T<sub>A</sub> = +25°C, 1kHz signal, f<sub>s</sub> = 48kHz, 24-bit audio data unless otherwise stated.

PARAMETER	SYMBOL	TEST CONDITIONS	MIN	TYP	MAX	UNIT
<b>Audio ADCs, DACs, Mixers</b>						
Reference Input/Output	CAP2 pin		1.63	1.65	1.66	V
Buffered Reference Output	VREF pin		1.64	1.65	1.67	V
<b>Microphone Bias</b>						
Bias Voltage	V <sub>MICBIAS</sub>		2.92	2.97	3.00	V
Bias Current Source	I <sub>MICBIAS</sub>				3	mA
Output Noise Voltage	V <sub>n</sub>	1K to 20kHz		15		nV/√Hz

**DIGITAL INTERFACE CHARACTERISTICS**
**Test Conditions**

 DBVDD = 3.3V, DCVDD = 3.3V, T<sub>A</sub> = +25°C, unless otherwise stated.

PARAMETER	SYMBOL	TEST CONDITIONS	MIN	TYP	MAX	UNIT
<b>Digital Logic Levels (all digital input or output pins) – CMOS Levels</b>						
Input HIGH level	V <sub>IH</sub>		DBVDD×0.7			V
Input LOW level	V <sub>IL</sub>				DBVDD×0.3	V
Output HIGH level	V <sub>OH</sub>	source current = 2mA	DBVDD×0.9			
Output LOW level	V <sub>OL</sub>	sink current = 2mA			DBVDD×0.1	
<b>Clock Frequency</b>						
Master clock (MCLKA pin)				24.576		MHz
AC'97 bit clock (BIT_CLK pin)				12.288		MHz
AC'97 sync pulse (SYNC pin)				48		kHz

**Notes:**

1. All audio and non-audio sample rates and other timing scales proportionately with the master clock.
2. For signal timing on the AC-Link, please refer to the AC'97 specification (Revision 2.2)

**POWER CONSUMPTION**

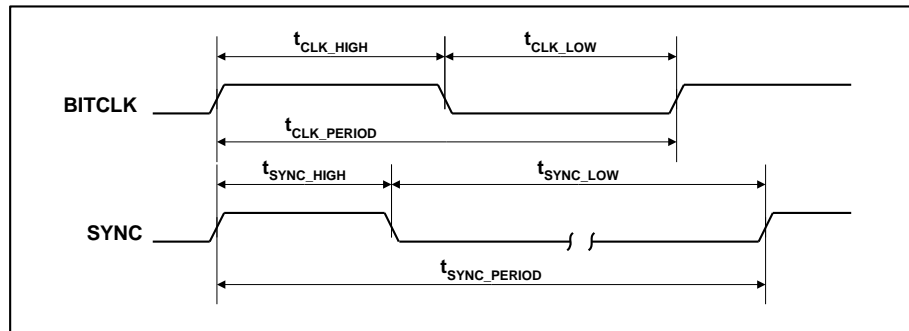
The power consumption of the WM9713L depends on the following factors:

- Supply voltages: Reducing the supply voltages also reduces digital supply currents, and therefore results in significant power savings especially in the digital sections of the WM9713L.
- Operating mode: Significant power savings can be achieved by always disabling parts of the WM9713L that are not used (e.g. audio ADC, DAC, touchpanel digitiser).
- Sample rates: Running at lower sample rates will reduce power consumption significantly. The figures below are for 48kHz (unless otherwise specified), but in many scenarios it is not necessary to run at this frequency, e.g. 8kHz PCM voice call scenario uses only 11.4mW (see below).

MODE DESCRIPTION	AVDD Supply Current		DCVDD Supply Current		DBVDD Supply Current		Total Power (mW)
	V / mA	V / mA	V / mA	V / mA	V / mA	V / mA	
Off (lowest possible power) Clocks stopped. This is the default configuration after power-up.	3.3	0.01	3.3	0	3.3	0.005	0.05
LPS (Low Power Standby) VREF maintained using 1MΩ string	3.3	0.014	3.3	0	3.3	0.005	0.06
Touchpanel only (waiting for pen-down)	3.3	0.042	3.3	0	3.3	0.005	0.15
PCM Voice call (fs=8kHz)	2.8	2.37	2.8	1.7	2.8	0.006	11.4
Record from mono microphone	3.3	3.644	3.3	10.973	3.3	2.974	58.05
Stereo DAC Playback (AC link to headphone)	3.3	3.733	3.3	9.720	3.3	2.789	53.60
Stereo DAC Playback (AC link to headphone) PLL running with 13MHz input to MCLKB	3.3	4.801	3.3	10.504	3.3	2.814	59.79
Maximum Power - everything on	3.3	13.656	3.3	15.472	3.3	2.938	105.82

**Table 1 Supply Current Consumption**
**Notes:**

1. Unless otherwise specified, all figures are at T<sub>A</sub> = +25°C, audio sample rate fs = 48kHz, with zero signal (quiescent), and voltage references settled.
2. The power dissipated in the headphone, speaker and touchpanel is not included in the above table.

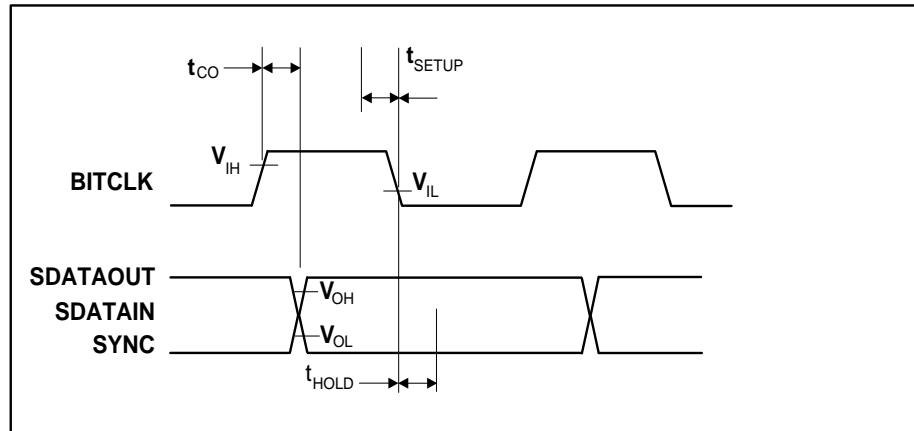
**SIGNAL TIMING REQUIREMENTS**
**AC97 INTERFACE TIMING**
**CLOCK SPECIFICATIONS**

**Figure 1 Clock Specifications (50pF External Load)**
**Test Conditions**

DBVDD = 3.3V, DCVDD = 3.3V, DGND1 = DGND2 = 0V, T<sub>A</sub> = -25°C to +85°C, unless otherwise stated.

PARAMETER	SYMBOL	MIN	TYP	MAX	UNIT
BITCLK frequency			12.288		MHz
BITCLK period	t <sub>CLK_PERIOD</sub>		81.4		ns
BITCLK output jitter				750	ps
BITCLK high pulse width (Note 1)	t <sub>CLK_HIGH</sub>	36	40.7	45	ns
BITCLK low pulse width (Note 1)	t <sub>CLK_LOW</sub>	36	40.7	45	ns
SYNC frequency			48		kHz
SYNC period	t <sub>SYNC_PERIOD</sub>		20.8		μs
SYNC high pulse width	t <sub>SYNC_HIGH</sub>		1.3		μs
SYNC low pulse width	t <sub>SYNC_LOW</sub>		19.5		μs

**Note:**

1. Worst case duty cycle restricted to 45/55

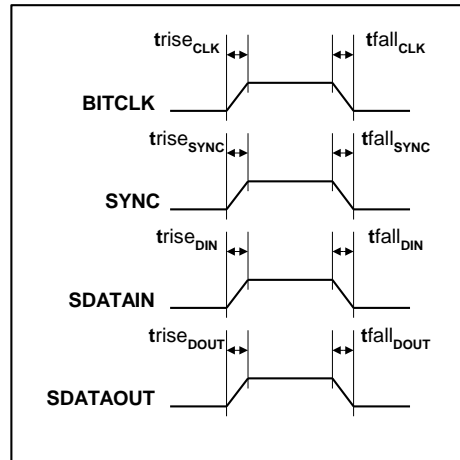
**DATA SETUP AND HOLD**

**Figure 2 Data Setup and Hold (50pF External Load)**
**Note:**

Setup and hold times for SDATAIN are with respect to the AC'97 controller, not the WM9713L.

**Test Conditions**

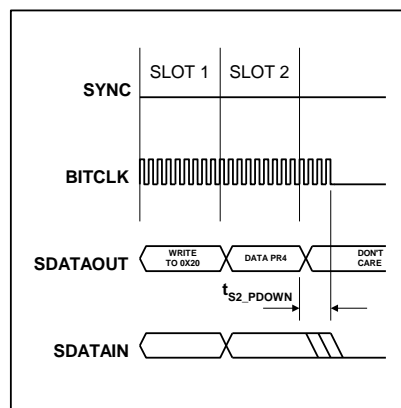
DBVDD = 3.3V, DCVDD = 3.3V, DGND1 = DGND2 = 0V,  $T_A = -25^{\circ}\text{C}$  to  $+85^{\circ}\text{C}$ , unless otherwise stated.

PARAMETER	SYMBOL	MIN	TYP	MAX	UNIT
Setup to falling edge of BITCLK	$t_{\text{SETUP}}$	10			ns
Hold from falling edge of BITCLK	$t_{\text{HOLD}}$	10			ns
Output valid delay from rising edge of BITCLK	$t_{\text{CO}}$			15	ns

**SIGNAL RISE AND FALL TIMES**

**Figure 3 Signal Rise and Fall Times (50pF External Load)**
**Test Conditions**

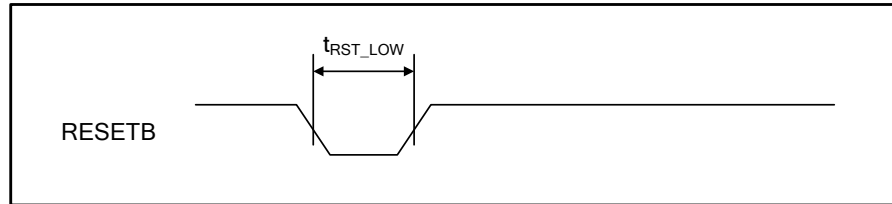
DBVDD = 3.3V, DCVDD = 3.3V, DGND1 = DGND2 = 0V,  $T_A$  = -25°C to +85°C, unless otherwise stated.

PARAMETER	SYMBOL	MIN	TYP	MAX	UNIT
BITCLK rise time	$t_{rise\_CLK}$	2		6	ns
BITCLK fall time	$t_{fall\_CLK}$	2		6	ns
SYNC rise time	$t_{rise\_SYNC}$			6	ns
SYNC fall time	$t_{fall\_SYNC}$			6	ns
SDATAIN rise time	$t_{rise\_DIN}$	2		6	ns
SDATAIN fall time	$t_{fall\_DIN}$	2		6	ns
SDATAOUT rise time	$t_{rise\_DOUT}$			6	ns
SDATAOUT fall time	$t_{fall\_DOUT}$			6	ns

**AC-LINK POWERDOWN**

**Figure 4 AC-Link Powerdown Timing**

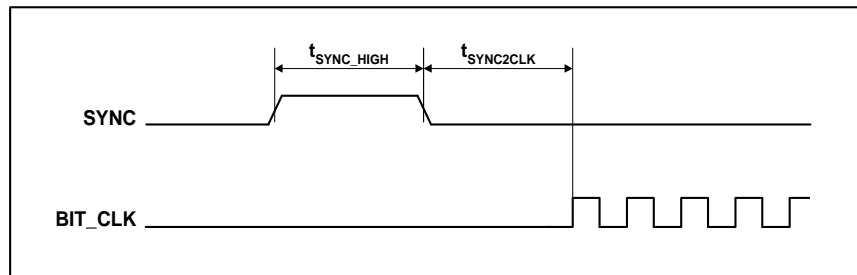
AC-Link powerdown occurs when PR4 (register 26h, bit 12) is set (see "Power Management").

PARAMETER	SYMBOL	MIN	TYP	MAX	UNIT
End of Slot 2 to BITCLK and SDATAIN low	$t_{S2\_PDOW}$			1.0	$\mu$ s

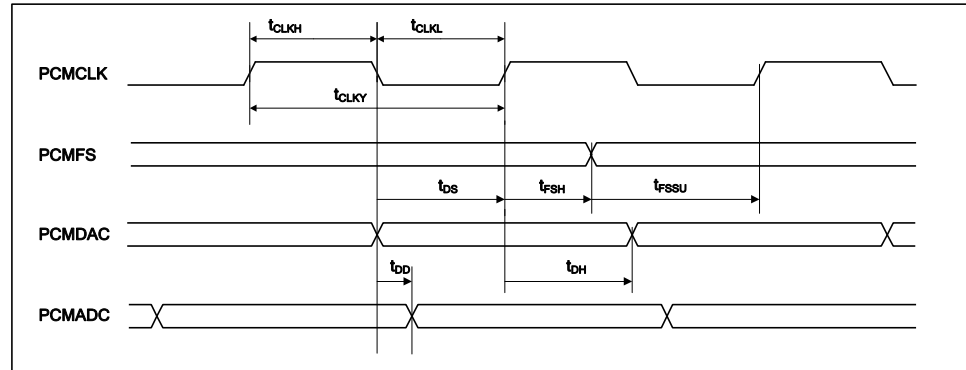
**COLD RESET (ASYNCHRONOUS – RESETS REGISTER SETTINGS)**

**Figure 5 Cold Reset Timing**
**Note:**

For correct operation SDATAOUT and SYNC must be held LOW for entire RESETB active low period otherwise the device may enter test mode. See AC'97 specification and Application Note WAN 0104 for further details.

PARAMETER	SYMBOL	MIN	TYP	MAX	UNIT
RESETB active low pulse width	$t_{RST\_LOW}$	1.0			$\mu\text{s}$

**WARM RESET (ASYNCHRONOUS – PRESERVES REGISTER SETTINGS)**

**Figure 6 Warm Reset Timing**

PARAMETER	SYMBOL	MIN	TYP	MAX	UNIT
SYNC active high pulse width	$t_{SYNC\_HIGH}$		1.3		$\mu\text{s}$
SYNC inactive to BITCLK startup delay	$t_{RST2CLK}$	162.4			ns

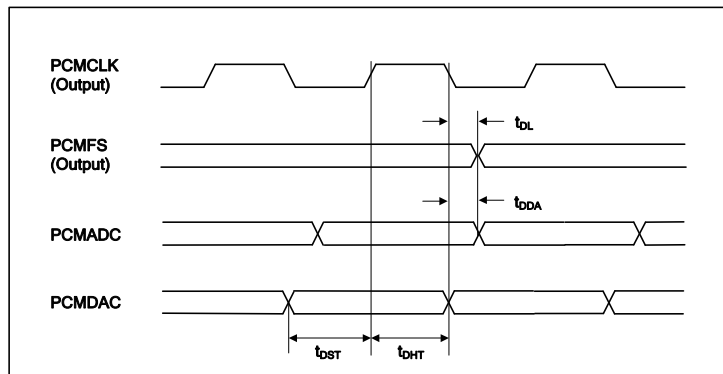
**PCM AUDIO INTERFACE TIMING – SLAVE MODE**

**Figure 7 Digital Audio Data Timing – Slave Mode**
**Test Conditions**

 DBVDD = 3.3V, DCVDD = 3.3V, DGND1 = DGND2 = 0V,  $T_A = -25^{\circ}\text{C}$  to  $+85^{\circ}\text{C}$ , unless otherwise stated.

PARAMETER	SYMBOL	MIN	TYP	MAX	UNIT
<b>Audio Data Input Timing Information</b>					
PCMCLK cycle time	$t_{PCMY}$	50			ns
PCMCLK pulse width high	$t_{PCMH}$	20			ns
PCMCLK pulse width low	$t_{PCML}$	20			ns
PCMF5 set-up time to PCMCLK rising edge	$t_{FSSU}$	10			ns
PCMF5 hold time from PCMCLK rising edge	$t_{FSH}$	10			ns
PCMDAC set-up time from PCMCLK rising edge	$t_{DS}$	10			ns
PCMDAC hold time from PCMCLK rising edge	$t_{DH}$	10			ns
PCMADC propagation delay from PCMCLK falling edge	$t_{DD}$			10	ns

**Note:**

1. PCMCLK period should always be greater than or equal to Voice CLK period.

**PCM AUDIO INTERFACE TIMING – MASTER MODE**

**Figure 8 Digital Audio Data Timing – Master Mode (see Control Interface)**
**Test Conditions**

 DBVDD = 3.3V, DCVDD = 3.3V, DGND1 = DGND2 = 0V, T<sub>A</sub> = -25°C to +85°C, unless otherwise stated.

PARAMETER	SYMBOL	MIN	TYP	MAX	UNIT
<b>Audio Data Input Timing Information</b>					
PCMF5 propagation delay from PCMCLK falling edge	t <sub>DL</sub>			10	ns
PCMADC propagation delay from PCMCLK falling edge	t <sub>DDA</sub>			10	ns
PCMDAC setup time to PCMCLK rising edge	t <sub>DST</sub>	10			ns
PCMDAC hold time from PCMCLK rising edge	t <sub>DHT</sub>	10			ns



## DEVICE DESCRIPTION

### INTRODUCTION

The WM9713L is a largely pin-compatible upgrade to WM9712, with a PCM voice CODEC added. This CODEC is interfaced via a PCM type audio interface which makes use of GPIO pins for connection.

It is designed to meet the mixed-signal requirements of portable and wireless smartphone systems. It includes audio recording and playback, touchpanel digitisation, battery monitoring, auxiliary ADC and GPIO functions, all controlled through a single 5-wire AC-Link interface. Additionally, PCM voice CODEC functions are supported through provision of an additional voice DAC and a PCM audio serial interface.

A PLL is included to allow unrelated reference clocks to be used for generation of the AC link system clock. Typically 13MHz or 2.048MHz clock sources might be used as a reference.

### SOFTWARE SUPPORT

The basic audio features of the WM9713L are software compatible with standard AC'97 device drivers. However, to better support the touchpanel and other additional functions, Cirrus Logic supplies custom device drivers for selected CPUs and operating systems. Please contact your local Cirrus Logic representative for more information.

### AC'97 COMPATIBILITY

The WM9713L uses an AC'97 interface to communicate with a microprocessor or controller. The audio and GPIO functions are largely compliant with AC'97 Revision 2.2. The following **differences** from the AC'97 standard are noted:

- Pinout: The function of some pins has been changed to support device specific features. The PHONE and PCBEEP pins have been moved to different locations on the device package.
- Package: The default package for the WM9713L is a 7×7mm leadless QFN package.
- Audio mixing: The WM9713L handles all the audio functions of a smartphone, including audio playback, voice recording, phone calls, phone call recording, ring tones, as well as simultaneous use of these features. The AC'97 mixer architecture does not fully support this. The WM9713L therefore uses a modified AC'97 mixer architecture with three separate mixers.
- Tone Control, Bass Boost and 3D Enhancement: These functions are implemented in the digital domain and therefore affect only signals being played through the audio DACs, not all output signals as stipulated in AC'97.

Some other functions are **additional** to AC'97:

- On-chip BTL loudspeaker driver for mono or stereo speakers
- On-chip BTL driver for ear speaker (phone receiver)
- Auxiliary mono DAC for ring tones, system alerts etc.
- Touchpanel controller
- Auxiliary ADC Inputs
- 2 Analogue Comparators for Battery Alarm
- Programmable Filter Characteristics for Tone Control and 3D Enhancement
- PCM interface to additional Voice DAC and existing audio ADCs
- PLL to create AC'97 system clock from unrelated reference clock input

**PCM CODEC**

The PCM voice CODEC functions typically required by mobile telephony devices are provided by an extra voice DAC on the WM9713L, which is interfaced via a standard PCM type data interface, which is constructed through optional use of 4 of the GPIO pins on WM9713L. The audio output data from one or both of the audio ADCs can also be output over this PCM interface, allowing a full voice CODEC function to be implemented. This PCM interface supports sample rates from 8 to 48ks/s using the standard AC'97 master clock.

## AUDIO PATHS OVERVIEW

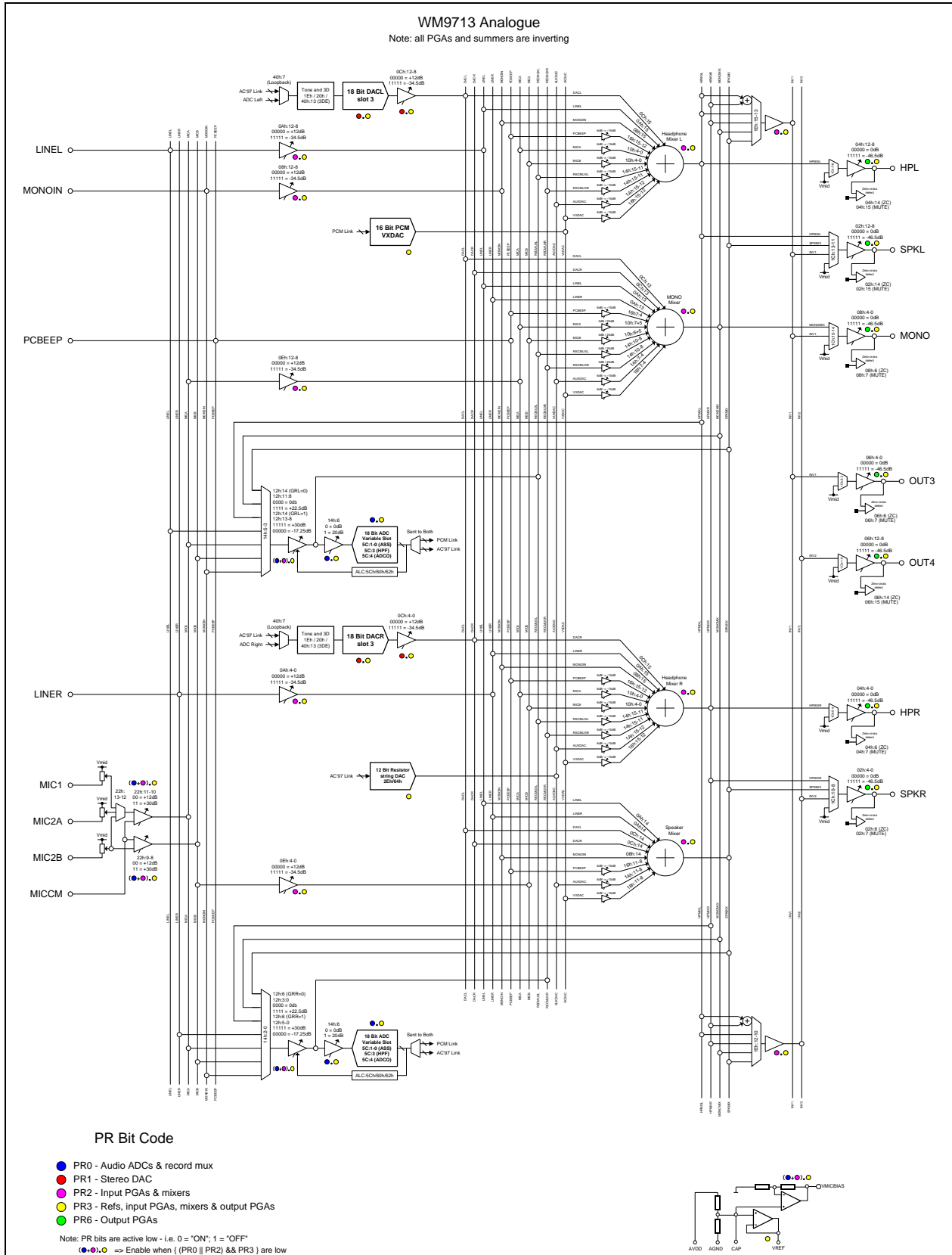


Figure 9 Audio Paths Overview

## CLOCK GENERATION

WM9713L supports clocking from 2 separate sources, which can be selected via the AC'97 interface:

- External clock input MCLKA
- External clock input MCLKB

The source clock is divided to appropriate frequencies in order to run the AC'97 interface, PCM interface, voice DAC and hi-fi DSP by means of a programmable divider block. Clock rates may be changed during operation via the AC'97 link in order to support alternative modes, for example low power mode when voice data is being transmitted only. A PLL is present to add flexibility in selection of input clock frequencies, typical choices being 2.048MHz, 4.096MHz or 13MHz.

### INITIALISING THE AC'97 LINK

By default, the AC'97 link is disabled and therefore will not be running after power on or a COLD reset event. Before any register map configuration can begin, it is necessary to start the AC'97 link. This is achieved by sending a WARM reset to the CODEC as defined in Figure 6.

Default mode on power-up also assumes a clock will be present on MCLKA with the PLL powered down. After a WARM reset the CODEC will start the AC'97 link using MCLKA as a reference. This enables data to be clocked via the AC'97 link to define the desired clock divider mode and whether PLL needs to be activated.

**Note:** MCLKA can be any available frequency.

When muxing between MCLKA and MCLKB both clocks must be active for at least two clock cycles after the switching event.

## CLOCK DIVISION MODES

Figure 10 shows the clocking strategy for WM9713L. Clocking is controlled by CLK\_MUX, CLK\_SRC and S[6:0].

- CLKAX2, CLKBX2 – clock doublers on inputs MCLKA and MCLKB.
- CLK\_MUX - selects between MCLKA and MCLKB.
- CLK\_SRC – selects between external or PLL derived clock reference.
- S[3:0] – sets the voice DAC clock rate and PCM interface clock when in master mode (division ratio 1 to 16 available).
- S[6:4] - sets the hi-fi clocking rate (division ratio 1 to 8 available).

The registers used to set these switches can be accessed from register address 44h (see Table 3).

If a mode change requires switching from an external clock to a PLL generated clock then it is recommended to set the clock division ratios required for the PLL clock scheme prior to switching between clocks. This option is accommodated by means of two sets of registers. S<sub>PLL</sub>[6:0] is used to set the divide ratio of the clock when in PLL mode and S<sub>EXT</sub>[6:0] is used to divide the clock when it is derived from an external source. If the PLL is selected (CLK\_SRC = 0), S[6:0] = S<sub>PLL</sub>[6:0]. S<sub>PLL</sub>[6:0] is defined in register 46h (see Table 4) and is written to using the page address mode. More details on page address mode for controlling the PLL are found on page 25. Register 46h also contains a number of separate control bits relating to the PLL's function. If an external clock is selected (CLK\_SRC = 1) S[6:0] = S<sub>EXT</sub>[6:0]. S<sub>EXT</sub>[6:0] is defined in register address 44h. Writing to registers 44h and 46h enables pre-programming of the required clock mode before the PLL output is selected.

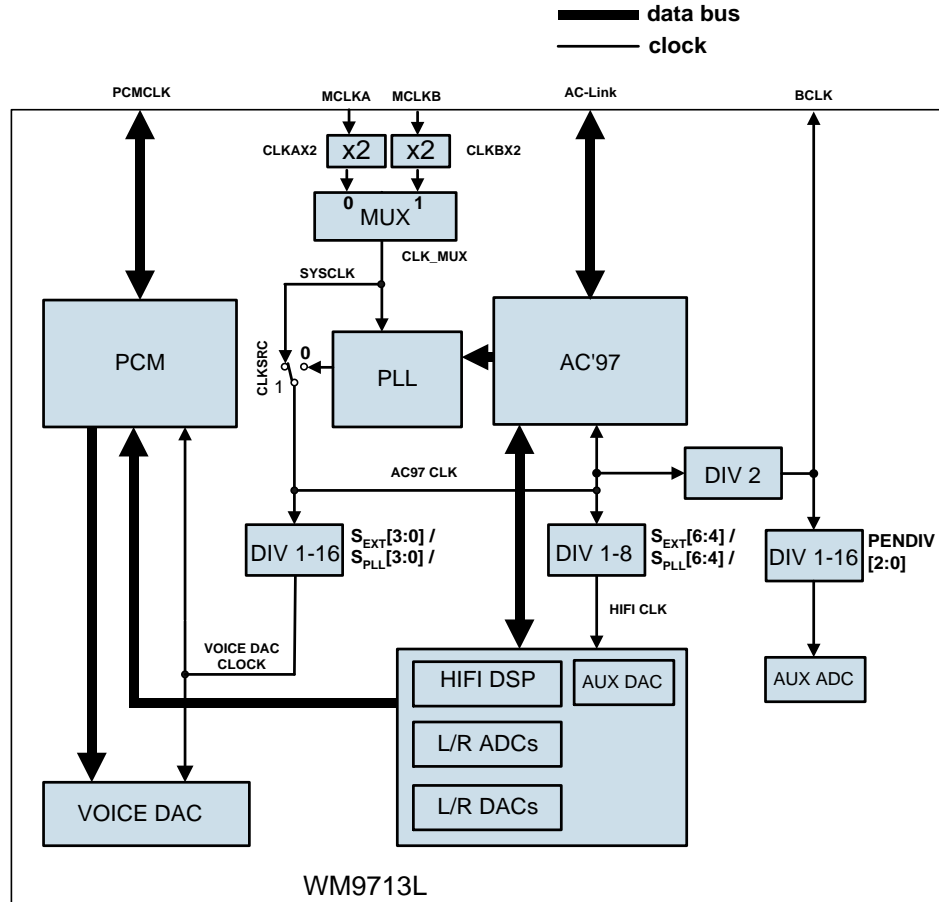


Figure 10 Clocking Architecture for WM9713L

## INTERNAL CLOCK FREQUENCIES

The internal clock frequencies are defined as follows (refer to Figure 10):

- AC97 CLK – nominally 24.576MHz, used to generate AC97 BITCLK at 12.288MHz
- HIFI CLK – for hi-fi playback at 48ks/s HIFI CLK = 24.576MHz. See Table 2 for voice only playback.
- Voice DAC CLK – see Table 2 for sample rate vs clock frequency.

SAMPLE RATE	VOICE DAC CLK FREQUENCY	HIFI CLK FREQUENCY
8ks/s voice and hi-fi	2.048MHz	24.576MHz
8ks/s voice only (power save)	2.048MHz	4.096MHz
16ks/s voice and hi-fi	4.096MHz	24.576MHz
16ks/s voice only (power save)	4.096MHz	8.192MHz
32ks/s voice and hi-fi	8.192MHz	24.576MHz
48ks/s voice and hi-fi	12.288MHz	24.576MHz

Table 2 Clock Division Mode Table

**AUXADC**

The clock for the AUXADC nominally runs at 768kHz and is derived from BITCLK. The divisor for the clock generator is set by PENDIV. This enables the AUXADC clock frequency to be set according to power consumption and conversion rate considerations.

Clock mode and division ratios are controlled by register 44h as shown in Table 3.

REGISTER ADDRESS	BIT	LABEL	DEFAULT	DESCRIPTION
44h	14:12	S <sub>EXT</sub> [6:4]	000 (div 1)	<b>Hi-fi Block Clock Division Control</b> 000 = f 001 = f/2 ... 111 = f/8
	11:8	S <sub>EXT</sub> [3:0]	0000 (div 1)	<b>Voice DAC Clock Division Control</b> 0000 = f 0001 = f/2 ... 1111 = f/16
	7	CLKSRC	1 (ext clk)	<b>AC97 CLK Source Control</b> 1 = External clock 0 = PLL clock
	5:3	PENDIV	000 (div 16)	<b>AUXADC Clock Division Control</b> 000 = f/16 001 = f/12 010 = f/8 011 = f/6 100 = f/4 101 = f/3 110 = f/2 111 = f
	2	CLKBX2	0 (Off)	<b>MCLKB Multiplier Control</b> 0 = Normal 1 = Multiply by 2
	1	CLKAX2	0 (Off)	<b>MCLKA Multiplier Control</b> 0 = Normal 1 = Multiply by 2
	0	CLKMUX	0 (MCLKA)	<b>External Clock Source Control</b> 0 = Use MCLKA 1 = Use MCLKB <b>Note:</b> On power-up clock must be present on MCLKA and must be active for 2 clock cycles after switching to MCLKB

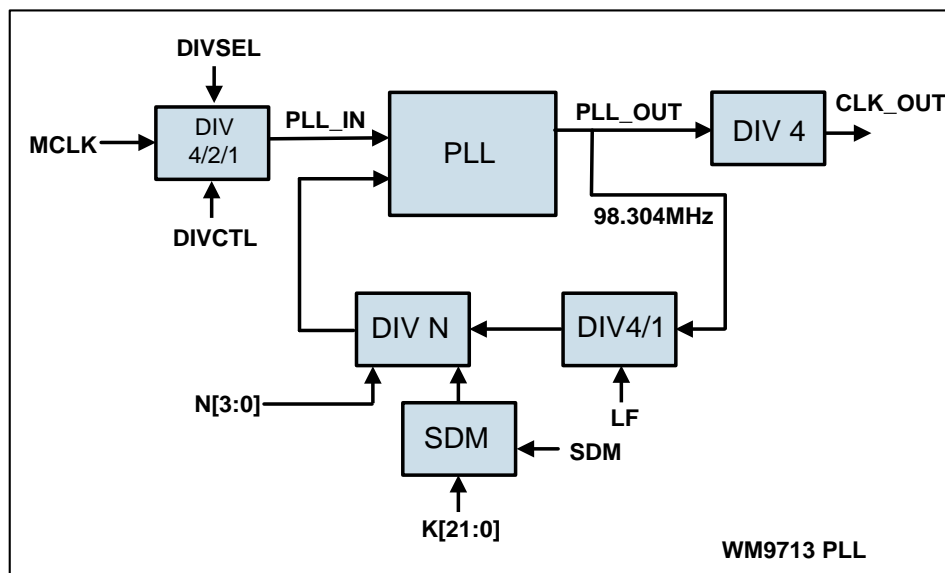
**Table 3 Clock Muxing and Division Control**

**PLL MODE**

The PLL operation is controlled by register 46h (see Table 4) and has two modes of operation:

- Integer N
- Fractional N

The PLL has been optimized for nominal input clock (PLL\_IN) frequencies in the range 8.192MHz – 19.661MHz (LF=0) and 2.048MHz – 4.9152MHz (LF=1). Through use of a clock divider (div by 2 / 4) on the input to the PLL frequencies up to 78.6MHz can be accommodated. The input clock divider is enabled by DIVSEL (0=Off) and the division ratio is set by DIVCTL (0=div2, 1=div4).


**Figure 11 PLL Architecture**

REGISTER ADDRESS	BIT	LABEL	DEFAULT	DESCRIPTION
46h	15:12	N[3:0]	0000	<b>PLL N Divide Control</b> 0000 = Divide by 1 0001 = Divide by 1 0010 = Divide by 2 ... 1111 = Divide by 15 <b>Note:</b> must be set between 05h and 0Ch for integer N mode
	11	LF	0 = off	<b>PLL Low Frequency Input Control</b> 1 = Low frequency mode (input clock < 8.192MHz) 0 = Normal mode
46h	10	SDM	0 = off	<b>PLL SDM Enable Control</b> 1 = Enable SDM (required for fractional N mode) 0 = Disable SDM
46h	9	DIVSEL	0 = off	<b>PLL Input Clock Division Control</b> 0 = Divide by 1 1 = Divide according to DIVCTL
	8	DIVCTL	0	<b>PLL Input Clock Division Value Control</b> 0 = Divide by 2 1 = Divide by 4
46h	6:4	PGADDR	000	<b>Pager Address</b> Pager address bits to access programming of K[21:0] and S <sub>PLL</sub> [6:0]
46h	3:0	PGDATA	0000	<b>Pager Data</b> Pager data bits

**Table 4 PLL Clock Control**

**INTEGER N MODE**

The nominal output frequency of the PLL (PLL\_OUT) is 98.304MHz which is divided by 4 to achieve a nominal system clock of 24.576MHz.

The integer division ratio (N) is determined by:  $F_{PLL\_out} / F_{PLL\_IN}$ , and is set by N[3:0] and must be in the range 5 to 12 for integer N operation (0101 = div by 5, 1100 = div by 12). Note that setting LF=1 enables a further division by 4 required for input frequencies in the range 2.048MHz – 4.096MHz.

Integer N mode is selected by setting SDM=0.

**FRACTIONAL N MODE**

Fractional N mode provides a divide resolution of  $1/2^{22}$  and is set by K[21:0] (register 46h, see section). The relationship between the required division X, the fractional division K[21:0] and the integer division N[3:0] is:

$$K = 2^{22}(X - N)$$

where  $0 < (X - N) < 1$  and K is rounded to the nearest whole number.

For example, if the PLL\_IN clock is 13MHz and the desired PLL\_OUT clock is 98.304MHz then the desired division, X, is 7.5618. So N[3:0] will be 7h and K[21:0] will be 23F488h to produce the desired 98.304MHz clock (see Table 5).

INPUT CLOCK (PLL_IN)	DESIRED PLL OUTPUT (PLL_OUT)	DIVISION REQUIRED (X)	FRACTIONAL DIVISION (K)	INTEGER DIVISION (N)
2.048MHz	98.304MHz	48	0	12x4*
4.096MHz	98.304MHz	24	0	6x4*
12.288MHz	98.304MHz	8	0	8
13MHz	98.304MHz	7.5618	0.5618	7
27MHz (13.5MHz)**	98.304MHz	7.2818	0.2818	7
*Divide by 4 enabled in PLL feedback path for low frequency inputs. (LF = 1)				
**Divide by 2 enabled at PLL input for frequencies > 14.4MHz > 38MHz (DIVSEL = 1, DIVCTL = 0)				

**Table 5 PLL Modes of Operation**



**PLL REGISTER PAGE ADDRESS MAPPING**

The clock division control bits  $S_{PLL}[6:0]$  and the PLL fractional N division bits are accessed through register 46h using a sub-page address system. The 3-bit pager address allows 8 blocks of 4-bit data words to be accessed whilst the register address is set to 46h. This means that when register address 46h is selected a further 7 cycles of programming are required to set all of the page data bits. Control bit allocation for these page addresses is described in Table 6.

PAGE ADDRESS	BIT	LABEL	DEFAULT	DESCRIPTION
111	31:28	$S_{PLL}[6:4]$	0h	Clock division control bus $S_{PLL}[6:0]$ . Clock divider reads this control word if PLL is enabled. Bits [6:4] and [3:0] have the same functionality as 44h [14:12] and [11:8] respectively
110	27:24	$S_{PLL}[3:0]$	0h	
101	23:22	Reserved	0h	Reserved bits
	21:20	$K[21:0]$	0h	Sigma Delta Modulator control word for fractional N division. Division resolution is $1/22^2$
100	19:16		0h	
011	15:12		0h	
010	11:8		0h	
001	7:4		0h	
000	3:0		$S_{PLL}[3:0]$	

**Table 6 Pager Control Bit Allocation**

Powerdown for the PLL and internal clocks is via registers 26h and 3Ch (see Table 7).

REGISTER ADDRESS	BIT	LABEL	DEFAULT	DESCRIPTION
26h	13	PR5	1 (Off)	<b>Internal Clock Disable Control</b> 1 = Disabled 0 = Enabled
3Ch	9	PLL	1 (Off)	<b>PLL Disable Control</b> 1 = Disabled 0 = Enabled
N.B. both PR5 and PLL must be asserted low before PLL is enabled				

**Table 7 PLL Powerdown Control**
**DIGITAL INTERFACES**

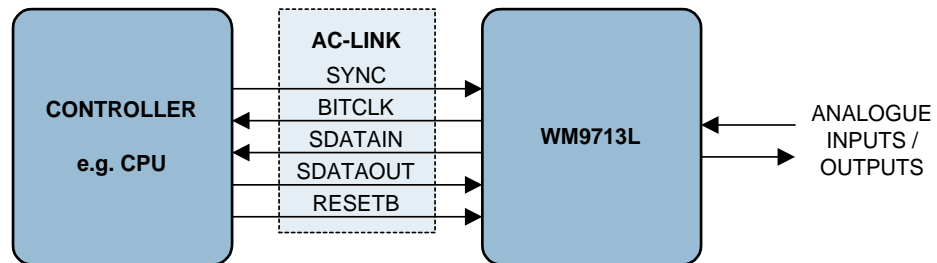
The WM9713L has two interfaces, a data and control AC'97 interface and a data only PCM interface. The AC'97 interface is available through dedicated pins (SDATAOUT, SDATAIN, SYNC, BITCLK and RESETB) and is the sole control interface with access to all data streams on the device except for the Voice DAC. The PCM interface is available through the GPIO pins (PCMCLK, PCMF5, PCMDAC and PCMADC) and provides access to the Voice DAC. It can also transmit the data from the Stereo ADC. This can be useful, for example, to allow both sides of a phone conversation to be recorded by mixing the transmit and receive paths on one of the ADC channels and transmitting it over the PCM interface.

## AC97 INTERFACE

### INTERFACE PROTOCOL

The WM9713L uses an AC'97 interface for both data transfer and control. The AC-Link has 5 wires:

- SDATAIN (pin 8) carries data from the WM9713L to the controller
- SDATAOUT (pin 5) carries data from the controller to the WM9713L
- BITCLK (pin 6) is a clock, derived from either MCLKA or MCLKB inputs and supplied to the controller.
- SYNC is a synchronization signal generated by the controller and passed to the WM9713L
- RESETB resets the WM9713L to its default state



**Figure 12 AC-Link Interface (typical case with BITCLK generated by the AC97 CODEC)**

The SDATAIN and SDATAOUT signals each carry 13 time-division multiplexed data streams (slots 0 to 12). A complete sequence of slots 0 to 12 is referred to as an AC-Link frame, and contains a total of 256 bits. The frame rate is 48kHz. This makes it possible to simultaneously transmit and receive multiple data streams (e.g. audio, touchpanel, AUXDAC, control) at sample rates up to 48kHz.

Detailed information can be found in the AC'97 (Revision 2.2) specification, which can be obtained at [www.intel.com/design/chipsets/audio/](http://www.intel.com/design/chipsets/audio/)

#### Note:

SDATAOUT and SYNC must be held low when RESETB is applied. These signals must be held low for the entire duration of the RESETB pulse and especially during the low-to-high transition of RESETB. If SDATAOUT or SYNC is high during reset, the WM9713L may enter test modes. Information relating to this operation is available in the AC'97 specification and in Application Note WAN 0104.

## PCM INTERFACE

### OPERATION

WM9713L can implement a PCM voice CODEC function using the dedicated VXDAC and either one or both of the existing hi-fi ADC's. In PCM CODEC mode, VXDAC input and ADC output are interfaced via a PCM style port via GPIO pins.

This interface can support one ADC channel, or stereo/dual ADC channels if required, (two channels of data are sent per PCM frame as back to back words).

In voice-only mode, the AC link is used only for control information, not audio data. Therefore it will generally be shut down (PR4=1), except when control data must be sent.

The PCM interface makes use of 4 of the GPIO interface pins, for clock, frame, and data in/out. If the PCM CODEC function is not enabled then the GPIO pins may be used for other functions.

## INTERFACE PROTOCOL

The WM9713L PCM audio interface is used for the input of data to the Voice DAC and the output of data from the Stereo ADC. When enabled, the PCM audio interface uses four GPIO pins:

- GPIO1/PCMCLK: Bit clock
- GPIO3/PCMFS: Frame Sync
- GPIO4/PCMDAC: Voice DAC data input
- GPIO5/PCMADC: Stereo ADC data output

Depending on the mode of operation (see “PCM Interface Modes”), at least one of these four pins must be set up as an output by writing to register 4Ch (see Table 62). When not enabled the GPIOs may be used for other functions on the WM9713L.

## PCM INTERFACE MODES

The WM9713L PCM audio interface may be configured in one of four modes:

- Disabled Mode: The WM9713L disables and tri-states all PCM interface pins. Any clock input is ignored and ADC/DAC data is not transferred.
- Slave Mode: The WM9713L accepts PCMCLK and PCMFS as inputs from an external source.
- Master Mode: The WM9713L generates PCMCLK and PCMFS as outputs.
- Partial Master Mode: The WM9713L generates PCMCLK as an output, and accepts PCMFS as an external input.

## PCM AUDIO DATA FORMATS

Four different audio data formats are supported:

- DSP mode
- Left justified
- Right justified
- I<sup>2</sup>S

All four of these modes are MSB first. They are described below. Refer to “Signal Timing Requirements” for timing information.

### Note:

PCMCLK and PCMFS must be synchronized with the BITCLK from the AC'97 interface.

The PCM Interface may be configured for Mono mode, where only one channel of ADC data is output. In this mode the interface should be configured for DSP mode. A short or long frame sync is supported and the MSB is available on either the 1st (mode B) or 2nd (mode A) rising edge of VXCLK.

Note that when operating in stereo mode the mono Voice DAC always uses the left channel data as its input.

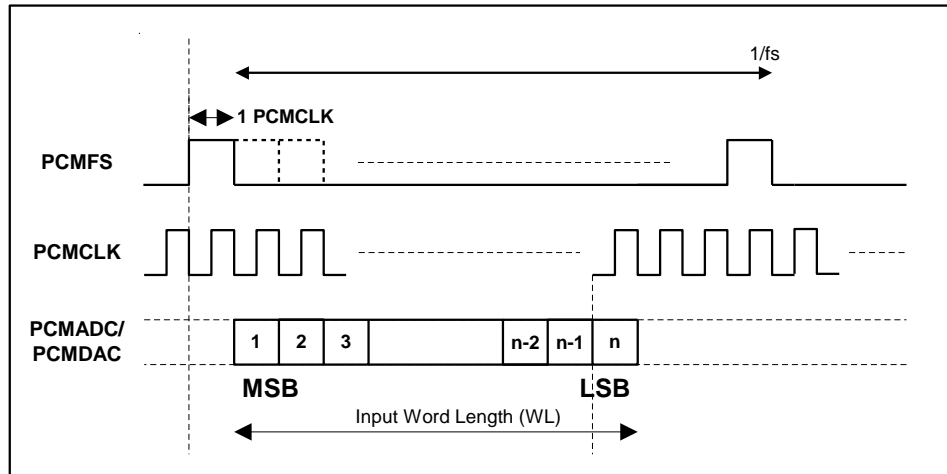


Figure 13 PCM Interface Mono Mode (mode A, FSP=0)

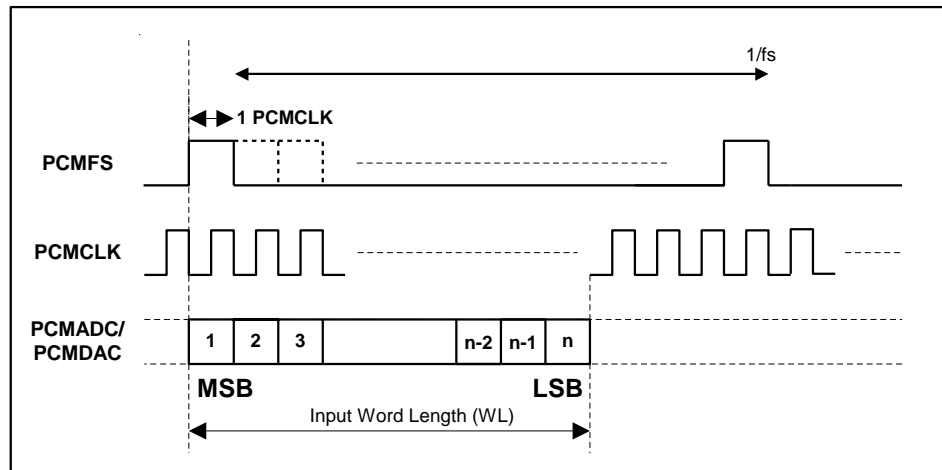


Figure 14 PCM Interface Mono Mode (mode B, FSP=1)

In DSP mode, the left channel MSB is available on either the 1st (mode B) or 2nd (mode A) rising edge of PCMCLK (selectable by FSP) following a rising edge of PCMFS. Right channel data immediately follows left channel data. Depending on word length, PCMCLK frequency and sample rate, there may be unused PCMCLK cycles between the LSB of the right channel data and the next sample.

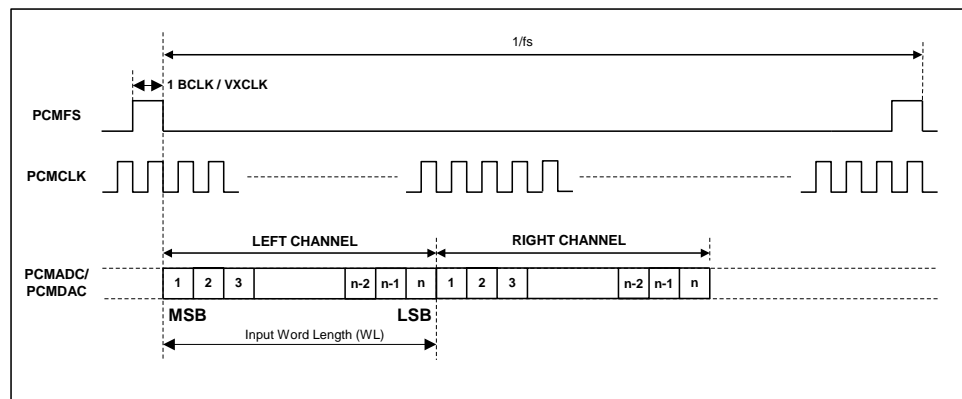
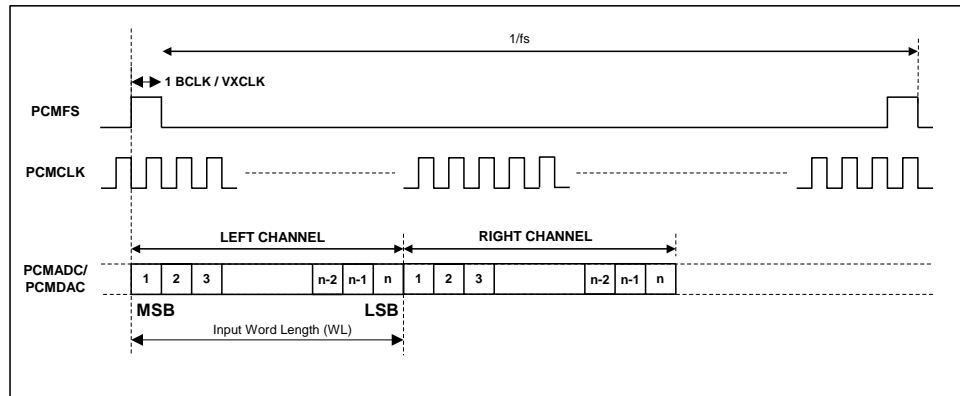
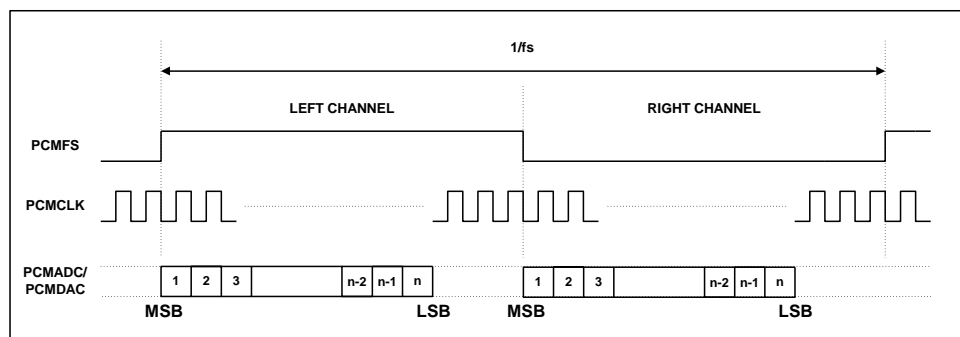


Figure 7 DSP Mode Audio Interface (mode A, FSP=0)



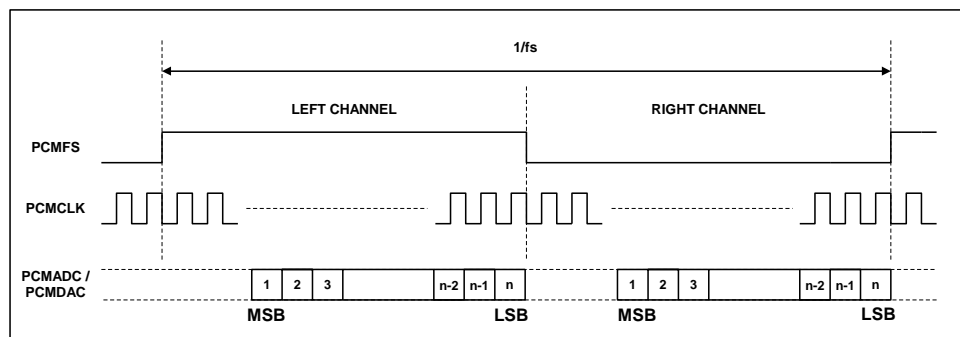
**Figure 15 DSP Mode Audio Interface (mode B, FSP=1)**

In Left Justified mode, the MSB is available on the first rising edge of PCMCLK following a PCMFS transition. The other bits up to the LSB are then transmitted in order. Depending on word length, PCMCLK frequency and sample rate, there may be unused PCMCLK cycles before each PCMFS transition.



**Figure 16 Left Justified Audio Interface (assuming n-bit word length)**

In Right Justified mode, the LSB is available on the last rising edge of PCMCLK before a PCMFS transition. All other bits are transmitted before (MSB first). Depending on word length, PCMCLK frequency and sample rate, there may be unused PCMCLK cycles after each PCMFS transition.



**Figure 17 Right Justified Audio Interface (assuming n-bit word length)**

In I<sup>2</sup>S mode, the MSB is available on the second rising edge of PCMCLK following a PCMFS transition. The other bits up to the LSB are then transmitted in order. Depending on word length, PCMCLK frequency and sample rate, there may be unused PCMCLK cycles between the LSB of one sample and the MSB of the next.

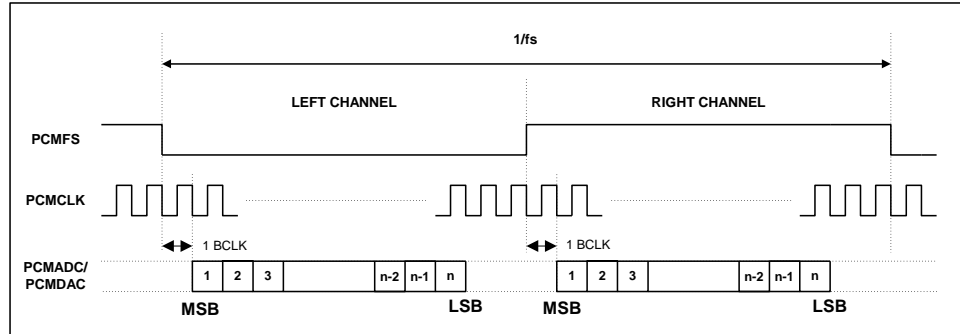


Figure 18 I<sup>2</sup>S Justified Audio Interface (assuming n-bit word length)

### CONTROL

The register bits controlling PCM audio format, word length and operating modes are summarised below. CTRL must be set to override the normal use of the PCM interface pins as GPIOs, MODE must be set to specify master/slave modes.

REGISTER ADDRESS	BIT	LABEL	DEFAULT	DESCRIPTION		
36h PCM Control	15	CTRL	0	<b>GPIO Pin Configuration Control</b> 0 = GPIO pins as GPIOs 1 = GPIO pins configured as PCM interface and controlled by this register		
	14:13	MODE	10	<b>PCM Interface Mode Control</b> 00 = PCM interface disabled [PCMCLK tri-stated, PCMFS tri-stated] 01 = PCM interface in slave mode [PCMCLK as input, PCMFS as input] 10 = PCM interface in master mode [PCMCLK as output, PCMFS as output] 11 = PCM interface in partial master mode [PCMCLK as output, PCMFS as input]		
	11:9	DIV	010	<b>PCMCLK Rate Control</b> 000 = Voice DAC clock 001 = Voice DAC clock / 2 010 = Voice DAC clock / 4 011 = Voice DAC clock / 8 100 = Voice DAC clock / 16 All other values are reserved		
	8	VDACOSR	1	<b>Voice DAC Oversampling Rate Control</b> 0: 128 x fs 1: 64 x fs		
	7	CP	0	<b>PCMCLK Polarity Control</b> 0 = Normal 1 = Inverted		
	6	FSP	0	FMT = 00, 01 or 10	<b>PCMFS Polarity Control</b> 0 = Normal 1 = Inverted	
				FMT = 11	<b>DSP Mode Control</b> 0 = DSP Mode A 1 = DSP Mode B	

REGISTER ADDRESS	BIT	LABEL	DEFAULT	DESCRIPTION
	5:4	SEL	10	<b>PCM ADC Output Channel Control</b> 00 = Normal stereo 01 = Reverse stereo 10 = Output left ADC data only 11 = Output right ADC data only
	3:2	WL	00	<b>PCM Data Word Length Control</b> 00 = 16-bit 01 = 20-bit 10 = 24-bit 11 = 32-bit (not supported when FMT=00)
	1:0	FMT	11	<b>PCM Data Format Control</b> 00 = Right justified 01 = Left justified 10 = I <sup>2</sup> S 11 = DSP mode

**Table 8 PCM CODEC Control**

**Note:** Right justified does not support 32-bit data.

## AUDIO ADCS

### STEREO ADC

The WM9713L has a stereo sigma-delta ADC to digitize audio signals. The ADC achieves high quality audio recording at low power consumption. The ADC sample rate can be controlled by writing to a control register (see “Variable Rate Audio / Sample Rate Conversion”). It is independent of the DAC sample rate.

To save power, the left and right ADCs can be separately switched off using the Powerdown bits ADCL and ADCR (register 3Ch, bits 5:4), whereas PR0 disables both ADCs (see “Power Management”). If only one ADC is running, the same ADC data appears on both the left and right AC-Link slots.

The output from the ADC can be sent over either the AC link as usual, or output via the PCM interface which may be configured on the GPIO pins.

### HIGH PASS FILTER

The WM9713L audio ADC incorporates a digital high pass filter that eliminates any DC bias from the ADC output data. The filter is enabled by default. For DC measurements, it can be disabled by writing a ‘1’ to the HPF bit (register 5Ch, bit 3).

This high pass filter corner frequency can be selected to have different values in WM9713L, to suit applications such as voice where a higher cutoff frequency is required.

REGISTER ADDRESS	BIT	LABEL	DEFAULT	DESCRIPTION
5Ch	3	HPF	0	<b>ADC HPF Disable Control</b> 0 = HPF enabled (for audio) 1 = HPF disabled (for DC measurements)
5Ah	5:4	HPMODE	00	<b>HPF Cut-Off Control</b> 00 = 7Hz @ fs=48kHz 01 = 82Hz @ fs=16kHz 10 = 82Hz @ fs=8kHz 11 = 170Hz @ fs=8kHz
<b>Note:</b> the filter corner frequency is proportional to the sample rate.				

**Table 9 Controlling the ADC High-pass Filter**

### ADC SLOT MAPPING

By default, the output of the left audio ADC appears on slot 3 of the SDATAIN signal (pin 8), and the right ADC data appears on slot 4. However, the ADC output data can also be sent to other slots, by setting the ASS (ADC slot select) control bits as shown below.

REGISTER ADDRESS	BIT	LABEL	DEFAULT	DESCRIPTION															
5Ch Additional Functions (2)	1:0	ASS	00	<b>ADC Data Slot Mapping Control</b> <table border="0" style="width: 100%; text-align: center;"> <tr> <td></td> <td><b>Left Data</b></td> <td><b>Right Data</b></td> </tr> <tr> <td>00 =</td> <td>Slot 3</td> <td>Slot 4</td> </tr> <tr> <td>01 =</td> <td>Slot 7</td> <td>Slot 8</td> </tr> <tr> <td>10 =</td> <td>Slot 6</td> <td>Slot 9</td> </tr> <tr> <td>11 =</td> <td>Slot 10</td> <td>Slot 11</td> </tr> </table>		<b>Left Data</b>	<b>Right Data</b>	00 =	Slot 3	Slot 4	01 =	Slot 7	Slot 8	10 =	Slot 6	Slot 9	11 =	Slot 10	Slot 11
	<b>Left Data</b>	<b>Right Data</b>																	
00 =	Slot 3	Slot 4																	
01 =	Slot 7	Slot 8																	
10 =	Slot 6	Slot 9																	
11 =	Slot 10	Slot 11																	

**Table 10 ADC Slot Mapping**



**RECORD SELECTOR**

The record selector determines which input signals are routed into the audio ADC. The left and right channels can be selected independently. This is useful for recording a phone call: one channel can be used for the RX signal and the other for the TX signal, so that both sides of the conversation are digitized.

REGISTER ADDRESS	BIT	LABEL	DEFAULT	DESCRIPTION
14h Record Routing / Mux Select	6	RECBST	0	<b>ADC Record Boost Control</b> 1 = +20dB 0 = 0dB <b>Note:</b> RECBST gain is in addition to the microphone pre-amps (MPABST and MPBBST bits) and record gain (GRL and GRR / GRL bits).
	5:3	RECSL	000	<b>Left Record Mux Source Control</b> 000 = MICA (pre-PGA) 001 = MICB (pre-PGA) 010 = LINEL (pre-PGA) 011 = MONOIN (pre-PGA) 100 = HPMIXL 101 = SPKMIC 110 = MONOMIX 111 = Reserved
	2:0	RECSR	000	<b>Right Record Mux Source Control</b> 000 = MICA (pre-PGA) 001 = MICB (pre-PGA) 010 = LINEL (pre-PGA) 011 = MONOIN (pre-PGA) 100 = HPMIXL 101 = SPKMIC 110 = MONOMIX 111 = Reserved

**Table 11 Audio Record Selector**

**RECORD GAIN**

The amplitude of the signal that enters the audio ADC is controlled by the Record PGA (Programmable Gain Amplifier). The PGA gain can be programmed either by writing to the Record Gain register, or by the Automatic Level Control (ALC) circuit (see page 35). If the ALC is enabled, any writes to the Record Gain register have no effect.

Two different gain ranges can be implemented: the standard gain range defined in the AC'97 standard, or an extended gain range with smaller gain steps. The ALC circuit always uses the extended gain range, as this has been found to result in better sound quality.

REGISTER ADDRESS	BIT	LABEL	DEFAULT	DESCRIPTION		
12h Record Gain	15	RMU	1	<b>Audio ADC Input Mute Control</b> 1 = Mute 0 = No mute <b>Note:</b> This control applies to both channels		
	14	GRL	0	<b>Left ADC PGA Gain Range Control</b> 1 = Extended 0 = Standard		
	13:8	RECVOLL	000000	<b>Left ADC Recording Volume Control</b>		
				Standard (GRL=0)	Extended (GRL=1)	
				XX0000: 0dB XX0001: +1.5dB ... (1.5dB steps) XX1111: +22.5dB	000000: -17.25dB 000001: -16.5dB ... (0.75dB steps) 111111: +30dB	
	7	ZC	0	<b>ADC PGA Zero Cross Control</b> 1 = Zero cross enabled (volume changes when signal is zero or after time-out) 0 = Zero cross disabled (volume changes immediately)		
	6	GRR	0	<b>Right ADC PGA Gain Range Control</b> 1 = Extended 0 = Standard		
	5:0	RECVOLR	000000	<b>Right ADC Recording Volume Control</b>		
				Standard (GRR=0)	Extended (GRR=1)	
XX0000 = 0dB ... (1.5dB steps) XX1111 = +22.5dB				000000 = -17.25dB ... (0.75dB steps) XX1111 = +30dB		

**Table 12 Record Gain Register**

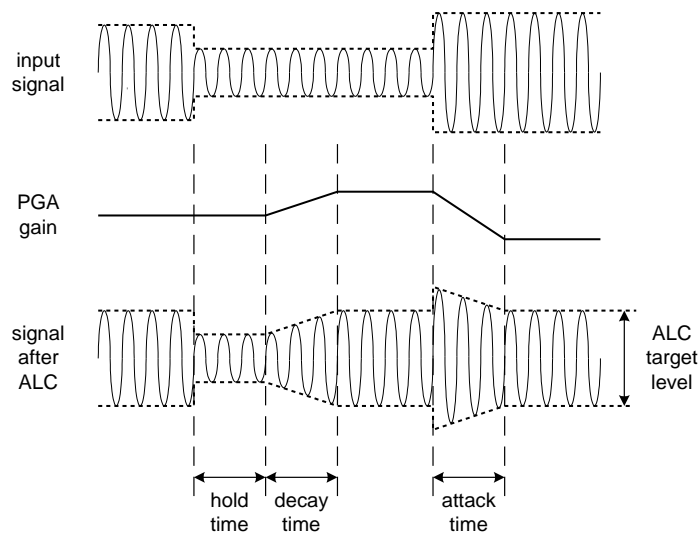
The output of the Record PGA can also be mixed into the phone and/or headphone outputs (see "Audio Mixers"). This makes it possible to use the ALC function for the microphone signal in a smartphone application.

REGISTER ADDRESS	BIT	LABEL	DEFAULT	DESCRIPTION
14h Record Routing	15:14	R2H	11 (mute)	<b>Record Mux to Headphone Mixer Path Control</b> 00 = stereo 01 = left ADC only 10 = right ADC only 11 = mute left and right
	13:11	R2HVOL	010 (0dB)	<b>Record Mux to Headphone Mixer Path Volume Control</b> 000 = +6dB ... (+3dB steps) 111 = -15dB
	10:9	R2M	11 (mute)	<b>Record Mux to Mono Mixer Path Control</b> 00 = stereo 01 = left record mux only 10 = right record mux only 11 = mute left and right
	8	R2MBST	0 (OFF)	<b>Record Mux to Headphone Mixer Boost Control</b> 1 = +20dB 0 = 0dB

**Table 13 Record PGA Routing Control**

## AUTOMATIC LEVEL CONTROL

The WM9713L has an automatic level control that aims to keep a constant recording volume irrespective of the input signal level. This is achieved by continuously adjusting the PGA gain so that the signal level at the ADC input remains constant. A digital peak detector monitors the ADC output and changes the PGA gain if necessary.


**Figure 19 ALC Operation**

The ALC function is enabled using the ALCSEL control bits. When enabled, the recording volume can be programmed between -6dB and -28.5dB (relative to ADC full scale) using the ALCL register bits.

HLD, DCY and ATK control the hold, decay and attack times, respectively.

---

**HOLD TIME**

Hold time is the time delay between the peak level detected being below target and the PGA gain beginning to ramp up. It can be programmed in power-of-two ( $2^n$ ) steps, e.g. 2.67ms, 5.33ms, 10.67ms etc. up to 43.7s. Alternatively, the hold time can also be set to zero. The hold time only applies to gain ramp-up, there is no delay before ramping the gain down when the signal level is above target.

**DECAY (GAIN RAMP-UP) TIME**

Decay time is the time that it takes for the PGA gain to ramp up across 90% of its range (e.g. from -15B up to 27.75dB). The time it takes for the recording level to return to its target value therefore depends on both the decay time and on the gain adjustment required. If the gain adjustment is small, it will be shorter than the decay time. The decay time can be programmed in power-of-two ( $2^n$ ) steps, from 24ms, 48ms, 96ms, etc. to 24.58s.

**ATTACK (GAIN RAMP-DOWN) TIME**

Attack time is the time that it takes for the PGA gain to ramp down across 90% of its range (e.g. from 27.75dB down to -15B gain). The time it takes for the recording level to return to its target value therefore depends on both the attack time and on the gain adjustment required. If the gain adjustment is small, it will be shorter than the attack time. The attack time can be programmed in power-of-two ( $2^n$ ) steps, from 6ms, 12ms, 24ms, etc. to 6.14s.

When operating in stereo, the peak detector takes the maximum of left and right channel peak values, and any new gain setting is applied to both left and right PGAs, so that the stereo image is preserved. However, the ALC function can also be enabled on one channel only. In this case, only one PGA is controlled by the ALC mechanism, while the other channel runs independently with its PGA gain set through the control register.

When one ADC channel is unused, the peak detector disregards that channel. The ALC function can also operate when the two ADC outputs are mixed to mono in the digital domain, but not if they are mixed to mono in the analogue domain, before entering the ADCs.

REGISTER ADDRESS	BIT	LABEL	DEFAULT	DESCRIPTION
62h ALC / Noise Gate Control	15:14	ALCSEL	00 (OFF)	<b>ALC Function Channel Control</b> 00 = ALC disabled 01 = ALC on right channel only 10 = ALC on left channel only 11 = ALC on both left and right channels
	13:11	MAXGAIN	111 (+30dB)	<b>ALC PGA Gain Limit Control</b> 000 = -12dB ... (6dB steps) 111 = +30dB
	10:9	ZCTIMEOUT	11	<b>ALC Zero Cross Timeout Delay Control</b> 00 = $2^{14} \times t_{\text{BITCLK}}$ (1.33ms) 01 = $2^{15} \times t_{\text{BITCLK}}$ (2.67ms) 10 = $2^{16} \times t_{\text{BITCLK}}$ (5.33ms) 11 = $2^{17} \times t_{\text{BITCLK}}$ (10.67ms) <b>Note:</b> Timeout delay values shown when BITCLK=12.288MHz
60h ALC Control	15:12	ALCL	1011 (-12dB)	<b>ALC Target Level Control</b> 0000 = -28.5dBFS ... (1.5dB steps) 1111 = -6dBFS <b>Note:</b> This is the target signal level at the ADC input
	11:8	HLD	0000 (0ms)	<b>ALC Hold Time Control</b> 0000 = 0ms 0001 = 2.67ms ... (time doubles with every step) 1111 = 43.691s
	7:4	DCY	0011 (192ms)	<b>ALC Decay Time Control</b> 0000 = 24ms ... (time doubles with every step) 1010 to 1111 = 24.58s
	3:0	ATK	0010 (24ms)	<b>ALC Attack Time Control</b> 0000 = 6ms ... (time doubles with every step) 1010 to 1111 = 6.14s

**Table 14 ALC Control**

### MAXIMUM GAIN

The MAXGAIN register sets the maximum gain value that the PGA can be set to whilst under the control of the ALC. This has no effect on the PGA when ALC is not enabled.

### PEAK LIMITER

To prevent clipping when a large signal occurs just after a period of quiet, the ALC circuit includes a limiter function. If the ADC input signal exceeds 87.5% of full scale (−1.16dB), the PGA gain is ramped down at the maximum attack rate (as when ATK = 0000), until the signal level falls below 87.5% of full scale. This function is automatically enabled whenever the ALC is enabled.

(Note: If ATK = 0000, then the limiter makes no difference to the operation of the ALC. It is designed to prevent clipping when long attack times are used).

### NOISE GATE

When the signal is very quiet and consists mainly of noise, the ALC function may cause “noise pumping”, i.e. loud hissing noise during silence periods. The WM9713L has a noise gate function that prevents noise pumping by comparing the signal level at the input pins (i.e. before the record PGA) against a noise gate threshold, NGTH. Provided that the noise gate function is enabled (NGAT = 1), the noise gate cuts in when:

$$\text{Signal level at ADC [dB]} < \text{NGTH [dB]} + \text{PGA gain [dB]} + \text{Mic Boost gain [dB]}$$

This is equivalent to:

$$\text{Signal level at input pin [dB]} < \text{NGTH [dB]}$$

The PGA gain is then held constant (preventing it from ramping up as it normally would when the signal is quiet). If the NGG bit is set, the ADC output is also muted when the noise gate cuts in.

Table 15 summarises the noise gate control register. The NGTH control bits set the noise gate threshold with respect to the ADC full-scale range. The threshold is adjusted in 1.5dB steps. Levels at the extremes of the range may cause inappropriate operation, so care should be taken with set-up of the function. Note that the noise gate only works in conjunction with the ALC function, and always operates on the same channel(s) as the ALC (left, right, both, or none).

REGISTER ADDRESS	BIT	LABEL	DEFAULT	DESCRIPTION
62h ALC / Noise Gate Control	7	NGAT	0	<b>Noise Gate Enable Control</b> 0 = Disabled 1 = Enabled
	5	NGG	0	<b>Noise Gate Function Control</b> 0 = Hold PGA gain at last value 1 = Mute ADC output
	4:0	NGTH(4:0)	00000	<b>Noise Gate Threshold Control</b> 00000 = -76.5dBFS ... (1.5dB steps) 11111 = -30dBFS

**Table 15 Noise Gate Control**

**AUDIO DACS**
**STEREO DAC**

The WM9713L has a stereo sigma-delta DAC that achieves high quality audio playback at low power consumption. Digital tone control, adaptive bass boost and 3-D enhancement functions operate on the digital audio data before it is passed to the stereo DAC. (Contrary to the AC'97 specification, they have no effect on analogue input signals or signals played through the auxiliary DAC. Nevertheless, the ID2 and ID5 bits in the reset register, 00h, are set to '1' to indicate that the WM9713L supports tone control and bass boost.)

The DAC output has a PGA for volume control. The DAC sample rate can be controlled by writing to a control register (see "Variable Rate Audio / Sample Rate Conversion"). It is independent of the ADC sample rate.

When not in use the DACs can be separately powered down using the Powerdown register bits DACL and DACR (register 3Ch, bits [7:6]).

**STEREO DAC VOLUME**

The volume of the DAC output signal is controlled by a PGA (Programmable Gain Amplifier). Each DAC can be mixed into the headphone, speaker and mono mixer paths (see "Audio Mixers") controlled by register 0Ch.

Each DAC-to-mixer path has an independent mute bit. When all DAC-to-mixer paths are muted the DAC PGA is muted automatically.

When not in use the DAC PGAs can be powered down using the Powerdown register bits DACL and DACR (register 3Ch, bits [7:6]).

REGISTER ADDRESS	BIT	LABEL	DEFAULT	DESCRIPTION
0Ch DAC Volume	15	D2H	1	<b>DAC to Headphone Mixer Mute Control</b> 1 = Mute 0 = No mute
	14	D2S	1	<b>DAC to Speaker Mixer Mute Control</b> 1 = Mute 0 = No mute
	13	D2M	1	<b>DAC to Mono Mixer Mute Control</b> 1 = Mute 0 = No mute
	12:8	DACL VOL	01000 (0dB)	<b>Left DAC to Mixers Volume Control</b> 00000 = +12dB ... (1.5dB steps) 11111 = -34.5dB
	4:0	DACR VOL	01000 (0dB)	<b>Right DAC to Mixers Volume Control</b> 00000 = +12dB ... (1.5dB steps) 11111 = -34.5dB
5Ch Additional Functions (2)	15	AMUTE	0	<b>DAC Automute Status (Read-Only)</b> 0 = DAC not muted 1 = DAC auto-muted
	7	AMEN	0	<b>DAC Automute Control</b> 0 = Disabled 1 = Enabled (DAC automatically muted when digital input is zero)

**Table 16 Stereo DAC Volume Control**

**TONE CONTROL / BASS BOOST**

The WM9713L provides separate controls for bass and treble with programmable gains and filter characteristics. This function operates on digital audio data before it is passed to the audio DACs.

Bass control can take two different forms:

- Linear bass control: bass signals are amplified or attenuated by a user programmable gain. This is independent of signal volume, and very high bass gains on loud signals may lead to signal clipping.
- Adaptive bass boost: The bass volume is amplified by a variable gain. When the bass volume is low, it is boosted more than when the bass volume is high. This method is recommended because it prevents clipping, and usually sounds more pleasant to the human ear.

Treble control applies a user programmable gain, without any adaptive boost function.

Treble, linear bass and 3D enhancement can all produce signals that exceed full-scale. In order to avoid limiting under these conditions, it is recommended to set the DAT bit to attenuate the digital input signal by 6dB. The gain at the outputs should be increased by 6dB to compensate for the attenuation. Cut-only tone adjustment (i.e. bass and treble gains  $\leq 0$ ) and adaptive bass boost cannot produce signals above full-scale and therefore do not require the DAT bit to be set.

REGISTER ADDRESS	BIT	LABEL	DEFAULT	DESCRIPTION	
20h DAC Tone Control	15	BB	0	<b>Bass Mode Control</b> 0 = Linear bass control 1 = Adaptive bass boost	
	12	BC	0	<b>Bass Cut-off Frequency Control</b> 0 = Low (130Hz at 48kHz sampling) 1 = High (200Hz at 48kHz sampling)	
	11:8	BASS	1111 (off)	<b>Bass Intensity Control</b>	
				BB=0	BB=1
	0000 = +9dB		0000 = 15dB		
	0001 = +9dB		... (1dB steps)		
... (1.5dB steps)		1110 = 1dB			
0111 = 0dB		1111 = Bypass (off)			
... (1.5dB steps)					
1011-1110 = -6dB					
1111 = Bypass (off)					
6	DAT	0	<b>Pre-DAC Attenuation Control</b> 0 = 0dB 1 = -6dB		
4	TC	0	<b>Treble Cut-off Frequency Control</b> 0 = High (8kHz at 48kHz sampling) 1 = Low (4kHz at 48kHz sampling)		
3:0	TRBL	1111 (Disabled)	<b>Treble Intensity Control</b> 0000 = +9dB 0001 = +9dB ... (1.5dB steps) 0111 = 0dB ... (1.5dB steps) 1011-1110 = -6dB 1111 = Bypass (off)		

**Table 17 DAC Tone Control**

**Note:**

1. All cut-off frequencies change proportionally with the DAC sample rate.



**3D STEREO ENHANCEMENT**

The 3D stereo enhancement function artificially increases the separation between the left and right channels by amplifying the (L-R) difference signal in the frequency range where the human ear is sensitive to directionality. The programmable 3D depth setting controls the degree of stereo expansion introduced by the function. Additionally, the upper and lower limits of the frequency range used for 3D enhancement can be selected using the 3DFILT control bits.

REGISTER ADDRESS	BIT	LABEL	DEFAULT	DESCRIPTION
40h General Purpose	13	3DE	0 (disabled)	<b>3D Enhancement Control</b> 1 = Enabled 0 = Disabled
1Eh DAC 3D Control	5	3DLC	0	<b>3D Lower Cut-off Frequency Control</b> 1 = High (500Hz at 48kHz sampling) 0 = Low (200Hz at 48kHz sampling)
	4	3DUC	0	<b>3D Upper Cut-off Frequency Control</b> 1 = Low (1.5kHz at 48kHz sampling) 0 = High (2.2kHz at 48kHz sampling)
	3:0	3DDEPTH	0000	<b>3D Depth Control</b> 0000 = 0% ... (6.67% steps) 1111 = 100%

**Table 18 Stereo Enhancement Control**
**Note:**

1. All cut-off frequencies change proportionally with the DAC sample rate.

**VOICE DAC**

VXDAC is a 16-bit mono DAC intended for playback of Rx voice signals input via the PCM interface. Performance has been optimised for operating at 8ks/s or 16ks/s. The VXDAC will function at other sample rates up to 48ks/s, but this is not recommended.

The analogue output of VXDAC is routed directly into the output mixers. The signal gain into each mixer can be adjusted at the mixer inputs using control register 18h.

When not in use the VXDAC can be powered down using the Powerdown register bit VXDAC (register 3Ch, bit 12).

REGISTER ADDRESS	BIT	LABEL	DEFAULT	DESCRIPTION
3Ch Powerdown (1)	12	VXDAC	1	<b>VXDAC Disable Control</b> 1 = Disabled 0 = Enabled
18h VXDAC Output Control	15	V2H	1	<b>VXDAC to Headphone Mixer Mute Control</b> 1 = Mute 0 = No mute
	14:12	V2HVOL	010 (0dB)	<b>VXDAC to Headphone Mixer Volume Control</b> 000 = +6dB ... (+3dB steps) 111 = -15dB
	11	V2S	1	<b>VXDAC to Speaker Mixer Mute Control</b> 1 = Mute 0 = No mute
	10:8	V2SVOL	010 (0dB)	<b>VXDAC to Speaker Mixer Volume Control</b> 000 = +6dB ... (+3dB steps) 111 = -15dB
	7	V2M	1	<b>VXDAC to Mono Mixer Mute Control</b> 1 = Mute 0 = No mute
	6:4	V2MVOL	010 (0dB)	<b>VXDAC to Mono Mixer Volume Control</b> 000 = +6dB ... (+3dB steps) 111 = -15dB

**Table 19 VXDAC Control**
**Note:**

- In order to minimise power consumption, the following sequence should be executed before disabling the Voice DAC:
  - R44h = 0280h      Run Voice DAC at fs=48 kHz
  - wait at least 3 AC link frames for mode to change
  - R44h = 0F80h      Run Voice DAC at fs=6 kHz
  - R3Ch: bit 12 = 1      Disable Voice DAC. This write must occur immediately after the write to register R44h.

## AUXILIARY DAC

AUXDAC is a simple 12-bit mono DAC. It can be used to generate DC signals (with the numeric input written into a control register), or AC signals such as telephone-quality ring tones or system beeps (with the input signal supplied through an AC-Link slot). In AC mode (XSLE = 1), the input data is binary offset coded; in DC mode (XSLE = 0), there is no offset.

The analogue output of AUXDAC is routed directly into the output mixers. The signal gain into each mixer can be adjusted at the mixer inputs using control register 12h. In slot mode (XSLE = 1), the AUXDAC also supports variable sample rates (See "Variable Rate Audio / Sample Rate Conversion").

When not in use the auxiliary DAC can be powered down using the Powerdown register bit AUXDAC (register 3Ch, bit 11).

REGISTER ADDRESS	BIT	LABEL	DEFAULT	DESCRIPTION
3Ch Powerdown (1)	11	AUXDAC	0	<b>AUXDAC Disable Control</b> 1 = Disabled 0 = Enabled
64h AUXDAC Input Control	15	XSLE	0	<b>AUXDAC Input Select Control</b> 0 = From AUXDACVAL[11:0] (for DC signals) 1 = From AC-Link (for AC signals)
	14:12	AUXDAC SLT	000	<b>AUXDAC Input Control (XSLE=1)</b> 000 = Slot 5, bits 8-19 001 = Slot 6, bits 8-19 010 = Slot 7, bits 8-19 011 = Slot 8, bits 8-19 100 = Slot 9, bits 8-19 101 = Slot 10, bits 8-19 110 = Slot 11, bits 8-19 111 = Reserved
	11:0	AUXDAC VAL	000h	<b>AUXDAC Input Control (XSLE=0)</b> 000h = Minimum FFFh = Full scale
1Ah AUXDAC Output Control	15	A2H	1	<b>AUXDAC to Headphone Mixer Mute Control</b> 1 = Mute 0 = No mute
	14:12	A2HVOL	010 (0dB)	<b>AUXDAC to Headphone Mixer Volume Control</b> 000 = +6dB ... (+3dB steps) 111 = -15dB
	11	A2S	1	<b>AUXDAC to Speaker Mixer Mute Control</b> 1 = Mute 0 = No mute
	10:8	A2SVOL	010 (0dB)	<b>AUXDAC to Speaker Mixer Volume Control</b> 000 = +6dB ... (+3dB steps) 111 = -15dB
	7	A2M	1	<b>AUXDAC to Mono Mixer Mute Control</b> 1 = Mute 0 = No mute
	6:4	A2MVOL	010 (0dB)	<b>AUXDAC to Mono Mixer Volume Control</b> 000 = +6dB ... (+3dB steps) 111 = -15dB

**Table 20 AUXDAC Control**

**VARIABLE RATE AUDIO / SAMPLE RATE CONVERSION**

By using an AC'97 Rev2.2 compliant audio interface, the WM9713L can record and playback at all commonly used audio sample rates, and offer full split-rate support (i.e. the DAC, ADC and AUXDAC sample rates are completely independent of each other – any combination is possible).

The default sample rate is 48kHz. If the VRA bit in register 2Ah is set, then other sample rates can be selected by writing to registers 2Ch, 32h and 2Eh. The AC-Link continues to run at 48k frames per second irrespective of the sample rate selected. However, if the sample rate is less than 48kHz, then some frames do not carry an audio sample.

REGISTER ADDRESS	BIT	LABEL	DEFAULT	DESCRIPTION
2Ah Extended Audio Stat/Ctrl	0	VRA	0 (OFF)	<b>Variable Rate Audio Control</b> 1 = Enable VRA 0 = Disable VRA (ADC and DAC run at 48kHz) <b>Note:</b> When VRA=1, sample rates are controlled by 2Ch, 2Eh and 32h
2Ch Audio DAC Sample Rate	15:0	DACSR	BB80h (48kHz)	<b>Stereo DAC Sample Rate Control</b> 1F40h = 8kHz 2B11h = 11.025kHz 2EE0h = 12kHz 3E80h = 16kHz 5622h = 22.05kHz 5DC0h = 24kHz 7D00h = 32kHz AC44h = 44.1kHz BB80h = 48kHz Any other value defaults to the nearest supported sample rate
32h Audio ADC Sample Rate	15:0	ADCSR	BB80h (48kHz)	<b>Stereo ADC Sample Rate Control</b> Values as DACSR
2Eh AUXDAC Sample Rate	15:0	AUXDACSR	BB80h (48kHz)	<b>AUXDAC Sample Rate Control</b> Values as DACSR

**Table 21 Audio Sample Rate Control**

**Note:**

Changing the ADC and / or DAC sample rate will only be effective if the ADCs and DACs are enabled and powered up before the sample rate is changed. This is done by setting the relevant bits in registers 26h and 3Ch, as well as the VRA bit in register 2Ah.

The process is as follows:

1. Enable and power up ADCs and or DACs in registers 26h and 3Ch.
2. Enable VRA bit in 2Ah, bit 0.
3. Change the sample rate in the respective register.

## AUDIO INPUTS

The following sections give an overview of the analogue audio input pins and their function. See “Applications Information” for more information on recommended external components.

### LINE INPUT

The LINEL and LINER inputs are designed to record line level signals, and/or to mix into one of the analogue outputs.

Both pins are directly connected to the record selector. The record PGA adjusts the recording volume, controlled by register 12h or by the ALC function.

For analogue mixing, the line input signals pass through a separate PGA, controlled by register 0Ah. The signals can be mixed into the headphone, speaker and mono mixer paths (see “Audio Mixers”).

Each LINE-to-mixer path has an independent mute bit. When all LINE-to-mixer paths are muted the line PGA is muted automatically. When the line inputs are not used, the line PGA can be switched off to save power (see “Power Management”).

LINEL and LINER are biased internally to the reference voltage VREF. Whenever the inputs are muted or the device placed into standby mode, the inputs remain biased to VREF using special anti-thump circuitry to suppress any audible clicks when changing inputs.

REGISTER ADDRESS	BIT	LABEL	DEFAULT	DESCRIPTION
0Ah	15	L2H	1	<b>LINE to Headphone Mixer Mute Control</b> 1 = Mute 0 = No mute
	14	L2S	1	<b>LINE to Speaker Mixer Mute Control</b> 1 = Mute 0 = No mute
	13	L2M	1	<b>LINE to Mono Mixer Mute Control</b> 1 = Mute 0 = No mute
	12:8	LINEL VOL	01000 (0dB)	<b>LINEL to Mixers Volume Control</b> 00000 = +12dB ... (1.5dB steps) 11111 = -34.5dB
	4:0	LINER VOL	01000 (0dB)	<b>LINER to Mixers Volume Control</b> 00000 = +12dB ... (1.5dB steps) 11111 = -34.5dB

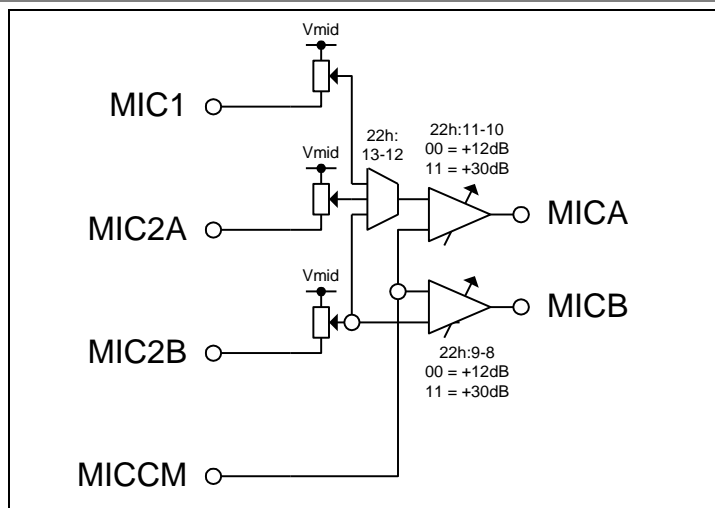
**Table 22** Line Input Control

Additionally, line inputs can be used as single-ended microphone inputs through the record mux to provide a click-less ALC function by bypassing offset introduced through the microphone pre-amps. Note that the line inputs to the mixers should all be deselected if this is input configuration is used.

## MICROPHONE INPUT

### MICROPHONE PRE-AMPS

There are two microphone pre-amplifiers, MPA and MPB, which can be configured in a variety of ways to accommodate up to 3 selectable differential microphone inputs or 2 differential microphone inputs operating simultaneously for stereo or noise cancellation. The microphone input circuit is shown in Figure 20.


**Figure 20 Microphone Input Circuit**

The input pins used for the microphones are MIC1, MICCM, MIC2A and MIC2B. Note that input pins MIC2A and MIC2B are multi-function inputs and must be configured for use as microphone inputs when required. This is achieved using MICCMPSEL[1:0] in register 22h (see Table 23). The input to microphone pre-amp A can be selected from any of the three microphone inputs MIC1, MIC2A and MIC2B using MPASEL[1:0]. Each pre-amp has independent boost control from +12dB to +30dB in four steps. This is controlled by MPABST[1:0] and MPBBST[1:0].

When not in use each microphone pre-amp can be powered down using the Powerdown register bits MPA and MPB (register 3Eh, bits [1:0]). If disabled, the inputs are tied to Vmid (for MIC2A and MIC2B, this only applies if they are selected as microphone inputs – otherwise, they are left floating).

REGISTER ADDRESS	BIT	LABEL	DEFAULT	DESCRIPTION
22h	15:14	MICCMPSEL	00	<b>MIC2A/MIC2B Pin Function Control</b> 00 = MIC2A and MIC2B are mic inputs 01 = MIC2A mic input only 10 = MIC2B mic input only 11 = MIC2A and MIC2B are not mic inputs
	13:12	MPASEL	00	<b>MPA Pre-Amp Source Control</b> 00 = MIC1 01 = MIC2A 10 = MIC2B 11 = Reserved
	11:10	MPABST	00	<b>MPA Pre-Amp Volume Control</b> 00 = +12dB 01 = +18dB 10 = +24dB 11 = +30dB
	9:8	MPBBST	00	<b>MPB Pre-Amp Volume Control</b> As MPABST

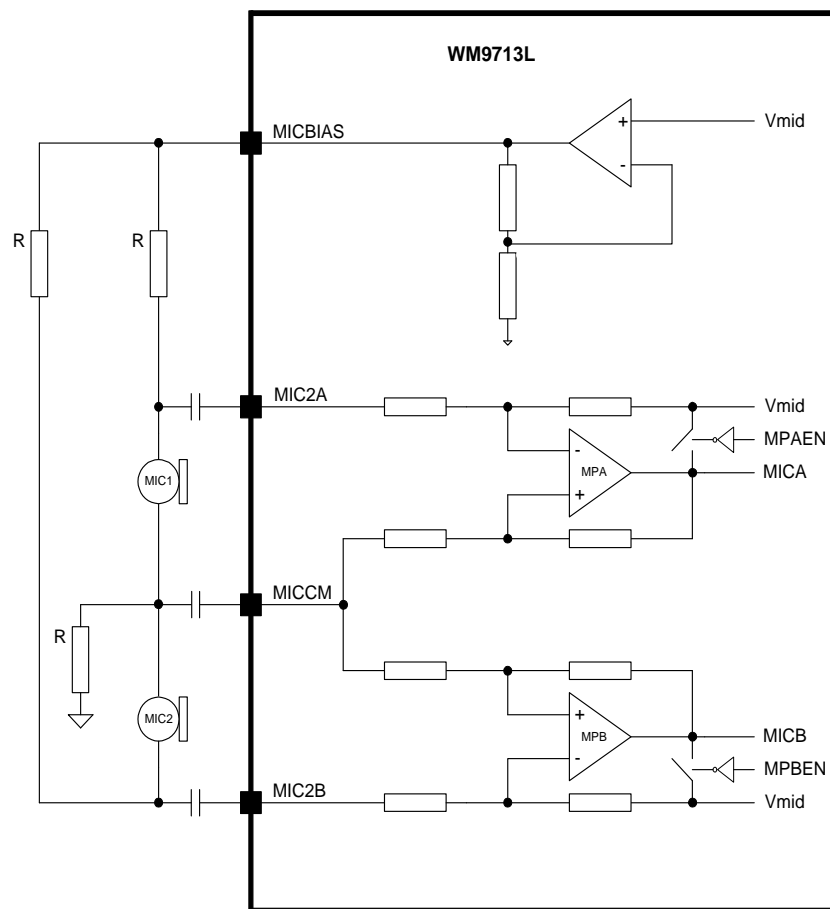
**Table 23 Microphone Pre-amp Control**

### SINGLE MIC OPERATION

Up to three microphones can be connected in a single-ended configuration. Any one of the three MICs can be selected as the input to MPA using MPASEL[1:0] (Register 22h, bits 13:12). Only the microphone on MIC2B can be selected to MPB. Note that MPABST always sets the gain for the selected MPA input microphone. If MIC2B is the selected input for MPA it is recommended that MPB is disabled.

### DUAL MIC OPERATION

Up to two microphones can be connected in a dual differential configuration. This is suitable for stereo microphone or noise cancellation applications. Mic1 is connected between the MIC2A and MICCM inputs and mic2 is connected between the MIC2B and MICCM inputs as shown in Figure 21. Additionally, another microphone can be supported on MIC1 selected through the MPA input mux. Note that the microphones can be connected in a single-ended configuration.



**Figure 21 Dual Microphone Configuration**

### MICROPHONE BIASING CIRCUIT

The MICBIAS output provides a low noise reference voltage suitable for biasing electret type microphones and the associated external resistor biasing network. Refer to “Applications Information” for recommended external components. The MICBIAS voltage can be altered via MBVOL in register 22h. When MBVOL=0, MICBIAS=0.9\*AVDD and when MBVOL=1, MICBIAS=0.75\*AVDD.

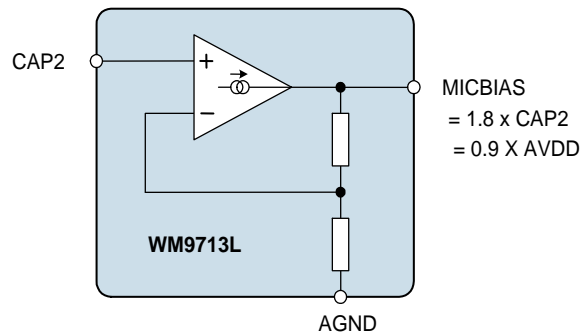
The microphone bias is driven to a dedicated MICBIAS pin 28 and is enabled by MPOP1EN in register 22h. It can also be configured to drive out on GPIO8 pin 12 enabled by MPOP2EN in register 22h.

When not in use the microphone bias can be powered down using the Powerdown register bit MICBIAS (register 3Eh, bit 14).

REGISTER ADDRESS	BIT	LABEL	DEFAULT	DESCRIPTION
22h	7	MBOP2EN	0 (Off)	<b>MICBIAS Output 2 Enable Control</b> 1 = Enable MICBIAS output on GPIO8 (pin 12) 0 = Disable MICBIAS output on GPIO8 (pin 12)
	6	MBOP1EN	1 (On)	<b>MICBIAS Output 1 Enable Control</b> 1 = Enable MICBIAS output on MICBIAS (pin 28) 0 = Disable MICBIAS output on MICBIAS (pin 28)
	5	MBVOL	0	<b>MICBIAS Output Voltage Control</b> 1 = $0.75 \times AVDD$ 0 = $0.9 \times AVDD$

**Table 24 Microphone Bias Voltage Control**

The internal MICBIAS circuitry is shown in Figure 22. Note that the maximum source current capability for MICBIAS is 3mA. The external biasing resistors therefore must be large enough to limit the MICBIAS current to 3mA.


**Figure 22 Microphone Bias Schematic**

### MICBIAS CURRENT DETECT

The WM9713L includes a microphone bias current detect circuit with programmable thresholds for the microphone bias current, above which an interrupt will be triggered. There are two separate interrupt bits, MICDET to e.g. distinguish between one or two microphones connected to the WM9713L, and MICSHT to detect a shorted microphone (mic button press). The microphone current detect threshold is set by MCDTHR[2:0], for MICDET, and MCDSCTHR[1:0] for MICSHT. Thresholds for each code are shown in Table 25

When not in use the microphone bias current detect circuit can be powered down using the Powerdown register bit MCD (register 3Eh, bit 15).

See the GPIO and Interrupt Controller sections for details on the interrupt and status readback for these MICBIAS current detection features.



REGISTER ADDRESS	BIT	LABEL	DEFAULT	DESCRIPTION
22h	4:2	MCDTHR	000	<b>Mic Detect Threshold Control</b> 000 = 100µA ... (100µA steps) 111 = 800µA <b>Note:</b> These values are for 3.3V supply and scale with supply voltage (AVDD).
	1:0	MCDSCTR	00	<b>Mic Detect Short Circuit Threshold Control</b> 00 = 600µA 01 = 1200µA 10 = 1800µA 11 = 2400µA <b>Note:</b> These values are for 3.3V supply and scale with supply voltage (AVDD).

**Table 25 Microphone Current Detect Control**
**MICROPHONE PGAS**

The microphone pre-amps MPA and MPB drive into two microphone PGAs whose gain is controlled by register 0Eh. The PGA signals can be routed into the headphone mixers and the mono mixer, but not the speaker mixer (to prevent forming a feedback loop) controlled by register 10h. If the PGA signals are not selected as an input to any of the mixers, the outputs of the PGAs are muted automatically.

When not in use the microphone PGAs can be powered down using the Powerdown register bits MA and MB (register 3Eh, bits [3:2]).

REGISTER ADDRESS	BIT	LABEL	DEFAULT	DESCRIPTION
0Eh Mic PGA Volume	12:8	MICAVOL	01000 (0dB)	<b>MICA PGA Volume Control</b> 00000 = +12dB ... (1.5dB steps) 11111 = -34.5dB
	4:0	MICBVOL	01000 (0dB)	<b>MICB PGA Volume Control</b> 00000 = +12dB ... (1.5dB steps) 11111 = -34.5dB

**Table 26 Microphone PGA Volume Control**

REGISTER ADDRESS	BIT	LABEL	DEFAULT	DESCRIPTION
10h MIC Routing	7	MA2M	1	<b>MICA to Mono Mixer Mute Control</b> 1 = Mute 0 = No mute
	6	MB2M	1	<b>MICB to Mono Mixer Mute Control</b> 1 = Mute 0 = No mute
	5	MIC2MBST	0	<b>MIC to Mono Mixer Boost Control</b> 1 = +20dB 0 = 0dB
	4:3	MIC2H	11	<b>MIC to Headphone Mixer Path Control</b> 00 = stereo 01 = MICA only 10 = MICB only 11 = mute MICA and MICB
	2:0	MIC2HVOL	010 (0dB)	<b>MIC to Headphone Mixer Path Volume Control</b> 000 = +6dB ... (+3dB steps) 111 = -15dB

**Table 27 Microphone PGA Routing Control**

## MONOIN INPUT

Pin 20 (MONOIN) is a mono input designed to connect to the receive path of a telephony device. The pin connects directly to the record selector for phone call recording (Note: to record both sides of a phone call, one ADC channel should record the MONOIN signal while the other channel records the MIC signal). The record PGA adjusts the recording volume, and is controlled by register 12h or by the ALC function (see "Record Gain" and "Automatic Level Control").

REGISTER ADDRESS	BIT	LABEL	DEFAULT	DESCRIPTION
14h Record Routing	15:14	R2H	11 (mute)	<b>Record Mux to Headphone Mixer Path Control</b> 00 = stereo 01 = left record mux only 10 = right rec mux only 11=mute left and right
	13:11	R2HVOL	010 (0dB)	<b>Record Mux to Headphone Mixer Path Volume Control</b> 000 = +6dB ... (+3dB steps) 111 = -15dB
	10:9	R2M	11 (mute)	<b>Record Mux to Mono Mixer Path Control</b> 00 = stereo 01 = left record mux only 10 = right record mux only 11 = mute left and right
	8	R2MBST	0 (0dB)	<b>Record Mux to Headphone Mixer Boost Control</b> 1 = +20dB 0 = 0dB

**Table 28 Record PGA Routing Control**

To listen to the MONOIN signal, the signal passes through a separate PGA, controlled by register 08h. The signal can be routed into the headphone mixer (for normal phone call operation) and/or the speaker mixer (for speakerphone operation), but not into the mono mixer (to prevent forming a feedback loop). When the signal is not selected as an input to any of the mixers the output of the PGA is muted automatically.

When not in use, the MONOIN PGA can be powered down using the Powerdown register bit MOIN (register 3Eh, bit 4).

MONOIN is biased internally to the reference voltage VREF. Whenever the input is muted or the device placed into standby mode, the input remains biased to VREF using special anti-thump circuitry to suppress any audible clicks when changing inputs.

REGISTER ADDRESS	BIT	LABEL	DEFAULT	DESCRIPTION
08h MONOIN PGA Vol / Routing	15	M2H	1	<b>MONOIN to Headphone Mixer Mute Control</b> 1 = Mute 0 = No mute
	14	M2S	1	<b>MONOIN to Speaker Mixer Mute Control</b> 1 = Mute 0 = No mute
	12:8	MONOIN VOL	01000 (0dB)	<b>MONOIN to Mixers Volume Control</b> 00000 = +12dB ... (1.5dB steps) 11111 = -34.5dB

**Table 29 Mono PGA Control**

## PCBEEP INPUT

Pin 19 (PCBEEP) is a mono, line level input intended for externally generated signal or warning tones. It is routed directly to the record selector and all three output mixers, without an input amplifier. The signal gain into each mixer can be independently controlled, with a separate mute bit for each signal path.

PCBEEP is biased internally to the reference voltage VREF. When the signal is not selected as an input to any of the mixers the input remains biased to VREF using special anti-thump circuitry to suppress any audible clicks when changing inputs.

REGISTER ADDRESS	BIT	LABEL	DEFAULT	DESCRIPTION
16h PCBEEP input	15	B2H	1	<b>PCBEEP to Headphone Mixer Mute Control</b> 1 = Mute 0 = No mute
	14:12	B2HVOL	010 (0dB)	<b>PCBEEP to Headphone Mixer Volume Control</b> 000 = +6dB ... (+3dB steps) 111 = -15dB
	11	B2S	1	<b>PCBEEP to Speaker Mixer Mute Control</b> 1 = Mute 0 = No mute
	10:8	B2SVOL	010 (0dB)	<b>PCBEEP to Speaker Mixer Volume Control</b> 000 = +6dB ... (+3dB steps) 111 = -15dB
	7	B2M	1	<b>PCBEEP to Mono Mixer Mute Control</b> 1 = Mute 0 = No mute
	6:4	B2MVOL	010 (0dB)	<b>PCBEEP to Mono Mixer Volume Control</b> 000 = +6dB ... (+3dB steps) 111 = -15dB

**Table 30 PCBEEP Control**

## DIFFERENTIAL MONO INPUT

PCBEEP and MONOIN inputs can be configured to provide a differential mono input. This is achieved by mixing the two inputs together using the headphone mixers or the speaker mixer. Note that the gain of the MONOIN PGA must match the gain of the PCBEEP mixer input to achieve a balanced differential mono input.

## AUDIO MIXERS

### MIXER OVERVIEW

The WM9713L has four separate low-power audio mixers to cover all audio functions required by smartphones, PDAs and handheld computers. These mixers are used to drive the audio outputs HPL, HPR, MONO, SPKL, SPKR, OUT3 and OUT4. There are also two inverters used to provide differential output signals (e.g. for driving BTL loads)

### HEADPHONE MIXERS

There are two headphone mixers, headphone mixer left and headphone mixer right (HPMIXL and HPMIXR). These mixers are the stereo output driver source. They are used to drive the stereo outputs HPL and HPR. They can also be used to drive SPKL and SPKR outputs and, when used in conjunction with OUT3 and OUT4, they can be configured to drive complementary signals through the two output inverters to support bridge-tied load (BTL) stereo loudspeaker outputs. The following signals can be mixed into the headphone path:

- MONOIN (controlled by register 08h, see “Audio Inputs”)
- LINEL/R (controlled by register 0Ah, see “Audio Inputs”)
- the output of the Record PGA (controlled by register 14h, see “Audio ADCs”, “Record Gain”)
- the stereo DAC signal (controlled by register 0Ch, see “Audio DACs”)
- the MIC signal (controlled by register 10h, see “Audio Inputs”)
- PC\_BEEP (controlled by register 16h, see “Audio Inputs”)
- the VXDAC signal (controlled by register 18h, see “Audio DACs”)
- the AUXDAC signal (controlled by register 1Ah, see “Auxiliary DAC”)

In a typical smartphone application, the headphone signal is a mix of MONOIN / VXDAC and sidetone (for phone calls) and the stereo DAC signal (for music playback).

If not in use, the headphone mixers can be powered down using the Powerdown register bits HPLX and HPRX (register 3Ch, bits [3:2]).

### SPEAKER MIXER

The speaker mixer (SPKMIX) is a mono source. It is typically used to drive a mono loudspeaker in BTL configuration. The following signals can be mixed into the speaker path:

- MONOIN (controlled by register 08h, see “Audio Inputs”)
- LINEL/R (controlled by register 0Ah, see “Audio Inputs”)
- the stereo DAC signal (controlled by register 0Ch, see “Audio DACs”)
- PC\_BEEP (controlled by register 16h, see “Audio Inputs”)
- the VXDAC signal (controlled by register 18h, see “Audio DACs”)
- the AUXDAC signal (controlled by register 1Ah, see “Auxiliary DAC”)

In a typical smartphone application, the speaker signal is a mix of AUXDAC (for system alerts or ring tone playback), MONOIN / VXDAC (for speakerphone function), and PC\_BEEP (for externally generated ring tones).

Note that when selected the stereo input pairs LINEL/R and DACL/R are summed and attenuated by -6dB so that 0dBFS signals on each channel sum to give a 0dBFS mono signal.

If not in use, the speaker mixer can be powered down using the Powerdown register bit SPKX (register 3Ch, bit 1).

## MONO MIXER

The mono mixer drives the MONO pin. The following signals can be mixed into MONO:

- LINEL/R (controlled by register 0Ah, see “Audio Inputs”)
- the output of the Record PGA (controlled by register 14h, see “Audio ADCs”, “Record Gain”)
- the stereo DAC signal (controlled by register 0Ch, see “Audio DACs”)
- the MIC signal (controlled by register 10h, see “Audio Inputs”)
- PC\_BEEP (controlled by register 16h, see “Audio Inputs”)
- the VXDAC signal (controlled by register 18h, see “Audio DACs”)
- the AUXDAC signal (controlled by register 12h, see “Auxiliary DAC”)

In a typical smartphone application, the MONO signal is a mix of the amplified microphone signal (possibly with Automatic Gain Control) and (if enabled) an audio playback signal from the stereo DAC or the auxiliary DAC.

Note that when selected the stereo input pairs LINEL/R and DACL/R are summed and attenuated by -6dB so that 0dBFS signals on each channel sum to give a 0dBFS mono signal.

If not in use, the mono mixer can be powered down using the Powerdown register bit MX (register 3Ch, bit 0).

## MIXER OUTPUT INVERTERS

There are two general purpose mixer output inverters, INV1 and INV2. Each inverter can be selected to drive HPMIXL, HPMIXR, SPKMIX, MONOMIX or  $\{ ( \text{HPMIXL} + \text{HPMIXR} ) / 2 \}$ . The outputs of the inverters can be used to generate complimentary signals (to drive BTL configured loads) and to provide greater flexibility in output driver configurations. INV1 can be selected as the source for SPKL, MONO and OUT3 and INV2 as the source for SPKR and OUT4.

The input source for each inverter is selected using INV1[2:0] and INV2[2:0] in register 1Eh (see Table 31). If no input is selected, the inverter is powered down.

REGISTER ADDRESS	BIT	LABEL	DEFAULT	DESCRIPTION
1Eh	15:13	INV1	000 (no input)	<b>INV1 Source Select</b> 000 = No input (tri-stated) 001 = MONOMIX 010 = SPKMIX 011 = HPMIXL 100 = HPMIXR 101 = HPMIXMONO 110 = Reserved 111 = VMID
	12:10	INV2	000 (no input)	<b>INV2 Source Select</b> 000 = No input (tri-stated) 001 = MONOMIX 010 = SPKMIX 011 = HPMIXL 100 = HPMIXR 101 = HPMIXMONO 110 = Reserved 111 = VMID

**Table 31 Mixer Inverter Source Select**

## ANALOGUE AUDIO OUTPUTS

The following sections give an overview of the analogue audio output pins. The WM9713L has three outputs capable of driving loads down to 16Ω (headphone / line drivers) – HPL, HPR and MONO - and four outputs capable of driving loads down to 8Ω (loudspeaker / line drivers) – SPKL, SPKR, OUT3 and OUT4. The combination of output drivers, mixers and mixer inverters means that many output configurations can be supported.

For examples of typical output and mixer configurations, see “Typical Output Configurations”. For more information on recommended external components, see “Applications Information”.

Each output is driven by a PGA with a gain range of 0dB to -46.5dB in -1.5dB steps. Each PGA has an input source mux, mute and zero-cross detect circuit (delaying gain changes until a zero-cross is detected, or after time-out).

### HEADPHONE OUTPUTS – HPL AND HPR

The HPL and HPR outputs (pins 39 and 41) are designed to drive a 16Ω or 32Ω headphone load. They can also be used as line outputs. They can be used in and AC coupled or DC coupled (capless) configuration. The available input sources are HPMIXL/R and Vmid (see Table 32).

REGISTER ADDRESS	BIT	LABEL	DEFAULT	DESCRIPTION
1Ch Output PGA Mux Select	7:6	HPL	00 (Vmid)	<b>HPL Source Control</b> 00 = VMID 01 = No input (tri-stated if HPL is disabled in 3Eh) 10 = HPMIXL 11 = Reserved
	5:4	HPR	00 (Vmid)	<b>HPR Source Control</b> 00 = VMID 01 = No input (tri-stated if HPR is disabled in 3Eh) 10 = HPMIXR 11 = Reserved

**Table 32 HPL / HPR PGA Input Source**

The signal volume on HPL and HPR can be independently adjusted under software control by writing to register 04h.

When not in use HPL and HPR can be powered down using the Powerdown register bits HPL and HPR (register 3Eh, bits [10:9]). To minimise pops and clicks when the PGA is powered down / up it is recommended that the Vmid input is selected during the power down / up cycle. This ensures the same DC level is maintained on the output pin throughout.

REGISTER ADDRESS	BIT	LABEL	DEFAULT	DESCRIPTION
04h Headphone Volume	15	MUL	1 (Mute)	<b>HPL Mute Control</b> 1 = Mute 0 = No mute
	14	ZCL	0	<b>HPL Zero Cross Control</b> 1 = Zero cross enabled (change volume only on zero crossings, or after time-out) 0 = Zero cross disabled (change volume immediately)
	13:8	HPLVOL	000000 (0dB)	<b>HPL Volume Control</b> 000000 = 0dB (maximum) ... (1.5dB steps) 011111 = -46.5dB 1xxxxx = -46.5dB
	7	MUR	1 (Mute)	<b>HPR Mute Control</b> 1 = Mute 0 = No mute
	6	ZCR	0	<b>HPR Zero Cross Control</b> 1 = Zero cross enabled (change volume only on zero crossings, or after time-out) 0 = Zero cross disabled (change volume immediately)
	5:0	HPRVOL	000000 (0dB)	<b>HPR Volume Control</b> 000000 = 0dB (maximum) ... (1.5dB steps) 011111 = -46.5dB 1xxxxx = -46.5dB

**Table 33 HPL / HPR PGA Control**

## MONO OUTPUT

The MONO output (pin 31) is designed to drive a 16 $\Omega$  headphone load and can also be used as a line output. The available input sources are MONOMIX, INV1 and Vmid (see Table 34)

REGISTER ADDRESS	BIT	LABEL	DEFAULT	DESCRIPTION
1Ch Output PGA Mux Select	15:14	MONO	00 (Vmid)	<b>MONO Source Control</b> 00 = VMID 01 = No input (tri-stated if MONO is disabled in 3Eh) 10 = MONOMIX 11 = INV1

**Table 34 MONO PGA Input Source**

The signal volume on MONO can be independently adjusted under software control by writing to register 08h.

When not in use MONO can be powered down using the Powerdown register bit MONO (register 3Eh, bit 13). To minimise pops and clicks when the PGA is powered down / up it is recommended that the Vmid input is selected during the power down / up cycle. This ensures the same DC level is maintained on the output pin throughout.



REGISTER ADDRESS	BIT	LABEL	DEFAULT	DESCRIPTION
08h MONO Vol	7	MU	1 (Mute)	<b>MONO Mute Control</b> 1 = Mute 0 = No mute
	6	ZC	0	<b>MONO Zero Cross Control</b> 1 = Zero cross enabled (change volume only on zero crossings, or after time-out) 0 = Zero cross disabled (change volume immediately)
	5:0	MONOVOL	000000 (0dB)	<b>MONO Volume Control</b> 000000 = 0dB (maximum) ... (1.5dB steps) 011111 = -46.5dB 1xxxxx = -46.5dB

**Table 35 Mono PGA Control**

## SPEAKER OUTPUTS – SPKL AND SPKR

The SPKL and SPKR (pins 35 and 36) are designed to drive a loudspeaker load down to 8Ω and can also be used as line outputs and headphone outputs. They are designed to drive an 8Ω load AC coupled or in a BTL (capless) configuration. The available input sources are HPMIXL/R, SPKMIXL/R, INV1/2 and Vmid (see Table 36).

REGISTER ADDRESS	BIT	LABEL	DEFAULT	DESCRIPTION
1Ch Output PGA Mux Select	13:11	SPKL	000 (Vmid)	<b>SPKL Source Control</b> 000 = VMID 001 = No input (tri-stated if SPKL is disabled in 3Eh) 010 = HPMIXL 011 = SPKMIX 100 = INV1 All other values are reserved
	10:8	SPKR	000 (Vmid)	<b>SPKR Source Control</b> 000 = VMID 001 = No input (tri-stated if SPKR is disabled in 3Eh) 010 = HPMIXR 011 = SPKMIX 100 = INV2 All other values are reserved

**Table 36 SPKL / SPKR PGA Input Source**

The signal volume on SPKL and SPKR can be independently adjusted under software control by writing to register 02h.

When not in use SPKL and SPKR can be powered down using the Powerdown register bits SPKL and SPKR (register 3Eh, bits [8:7]). To minimise pops and clicks when the PGA is powered down / up it is recommended that the Vmid input is selected during the power down / up cycle. This ensures the same DC level is maintained on the output pin throughout.

REGISTER ADDRESS	BIT	LABEL	DEFAULT	DESCRIPTION
02h Speaker Volume	15	MUL	1 (Mute)	<b>SPKL Mute Control</b> 1 = Mute 0 = No mute
	14	ZCL	0	<b>SPKL Zero Cross Control</b> 1 = Zero cross enabled (change volume only on zero crossings, or after time-out) 0 = Zero cross disabled (change volume immediately)
	13:8	SPKLVOL	000000 (0dB)	<b>SPKL Volume Control</b> 000000 = 0dB (maximum) ... (1.5dB steps) 011111 = -46.5dB 1xxxxx = -46.5dB
	7	MUR	1 (Mute)	<b>SPKR Mute Control</b> 1 = Mute 0 = No mute
	6	ZCR	0	<b>SPKR Zero Cross Control</b> 1 = Zero cross enabled (change volume only on zero crossings, or after time-out) 0 = Zero cross disabled (change volume immediately)
	5:0	SPKRVOL	000000 (0dB)	<b>SPKR Volume Control</b> 000000 = 0dB (maximum) ... (1.5dB steps) 011111 = -46.5dB 1xxxxx = -46.5dB

**Table 37 SPKL / SPKR PGA Control**
**Note:**

- For BTL speaker drive, it is recommended that both PGAs have the same gain setting.

## AUXILIARY OUTPUTS – OUT3 AND OUT4

The OUT3 and OUT4 outputs (pins 37 and 33) are designed to drive a loudspeaker load down to 8Ω and can also be used as line outputs and headphone outputs. They are designed to drive an 8Ω load AC coupled or in a BTL (cap-less) configuration and can be used as a mid-rail buffer to drive the headphone outputs in a cap-less DC configuration. The available input sources are INV1/2 and Vmid (see Table 38).

REGISTER ADDRESS	BIT	LABEL	DEFAULT	DESCRIPTION
1Ch Output PGA Mux Select	3:2	OUT3	00 (Vmid)	<b>OUT3 Source Control</b> 00 = VMID 01 = No input (tri-stated if OUT3 is disabled in 3Eh) 10 = INV1 11 = Reserved
	1:0	OUT4	00 (Vmid)	<b>OUT4 Source Control</b> 00 = VMID 01 = No input (tri-stated if OUT4 is disabled in 3Eh) 10 = INV2 11 = Reserved

**Table 38 OUT3 / OUT4 PGA Input Source**

The signal volume on OUT3 and OUT4 can be independently adjusted under software control by writing to register 06h.

When not in use OUT3 and OUT4 can be powered down using the Powerdown register bits OUT3 and OUT4 (register 3Eh, bits [11:12]). To minimise pops and clicks when the PGA is powered down / up it is recommended that the Vmid input is selected during the power down / up cycle. This ensures the same DC level is maintained on the output pin throughout.

REGISTER ADDRESS	BIT	LABEL	DEFAULT	DESCRIPTION
06h Speaker Volume	15	MU4	1 (Mute)	<b>OUT4 Mute Control</b> 1 = Mute 0 = No mute
	14	ZC4	0	<b>OUT4 Zero Cross Control</b> 1 = Zero cross enabled (change volume only on zero crossings, or after time-out) 0 = Zero cross disabled (change volume immediately)
	13:8	OUT4VOL	000000 (0dB)	<b>OUT4 Volume Control</b> 000000 = 0dB (maximum) ... (1.5dB steps) 011111 = -46.5dB 1xxxxx = -46.5dB
	7	MU3	1 (Mute)	<b>OUT3 Mute Control</b> 1 = Mute 0 = No mute
	6	ZC3	0	<b>OUT3 Zero Cross Control</b> 1 = Zero cross enabled (change volume only on zero crossings, or after time-out) 0 = Zero cross disabled (change volume immediately)
	5:0	OUT3VOL	000000 (0dB)	<b>OUT3 Volume Control</b> 000000 = 0dB (maximum) ... (1.5dB steps) 011111 = -46.5dB 1xxxxx = -46.5dB

**Table 39 OUT3 / OUT4 PGA Control**

## THERMAL SENSOR

The speaker and headphone outputs can drive very large currents. To protect the WM9713L from becoming too hot, a thermal sensor has been built in. If the chip temperature reaches approximately 150°C, and the TSHUT bit is cleared, and the GP11 bit is set, the WM9713L de-asserts TI, a virtual GPIO that can be set up to generate an interrupt to the CPU (see “GPIO and Interrupt Control”).

REGISTER ADDRESS	BIT	LABEL	DEFAULT	DESCRIPTION	
3Ch	13	TSHUT	1 (disabled)	<b>Thermal Sensor Disable Control</b> 1 = Disabled 0 = Enabled	
4Eh	11	GP11	1	<b>Thermal Sensor Polarity Control</b> 1 = Active Low 0 = Active High	
54h	11	TI	0	<b>Thermal Sensor Status Bit (Virtual GPIO)</b> See also “GPIO and Interrupt Control” section.	
				GP11 = 1 (default)	GP11 = 0
				1 = Temp < 150°C 0 = Temp > 150°C	1 = Temp > 150°C 0 = Temp < 150°C

Table 40 Thermal Shutdown Control

## JACK INSERTION AND AUTO-SWITCHING

In a phone application, a BTL ear speaker may be connected across MONO and HPL, a stereo headphone on HPL and HPR and stereo speakers on SPKL, SPKR, OUT3 and OUT4 (see Figure 23). Typically, only one of these three output devices is used at any given time: when no headphone is plugged in, the BTL ear speaker or stereo speakers are active, otherwise the headphone is used.

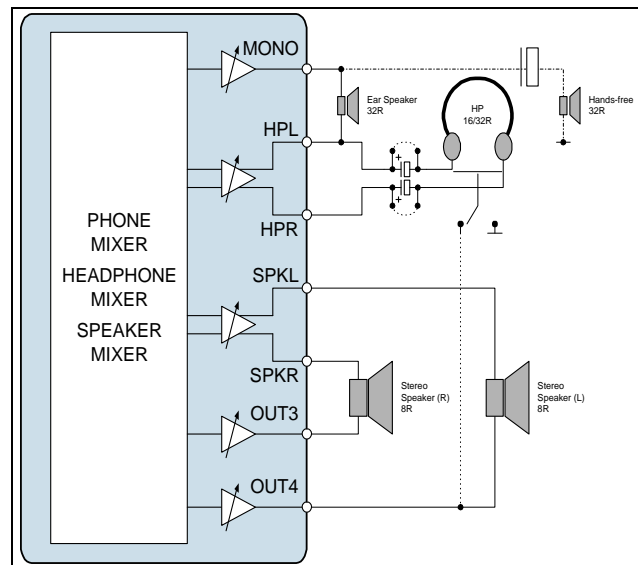


Figure 23 Typical Output Configuration

The presence of a headphone can be detected using one of GPIO1/6/7/8 (pins 44, 3, 11 & 12) and an external pull-up resistor (see Figure 43, page 127 for a circuit diagram). When the jack is inserted, the GPIO is pulled low by a switch on the socket. When the jack is removed the GPIO is pulled high by a resistor. If the JIEN bit is set, the WM9713L automatically switches between headphone and any other output configuration, typically ear speaker or stereo speaker that has been set up in the Powerdown and Output PGA Mux Select registers.

**Note:** Please refer to Application Note WAN 0182 for further information on jack detect configuration.

In addition to the typical configuration explained above, the WM9713L can also support automatic switching between the following three configurations set as BTL ear speaker and headphone.

REGISTER ADDRESS	BIT	LABEL	DEFAULT	DESCRIPTION
24h Output Volume Mapping (Jack Insert)	1:0	EARSPKSEL	00	<b>Ear Speaker Source Control</b> 00 = Default, no ear speaker configuration selected. 01 = MONO and HPL driver selected as BTL ear speaker. 10 = OUT3 and HPL driver selected as BTL ear speaker. 11 = OUT4 and HPL driver selected as BTL ear speaker.

**Table 41 Ear Speaker Configuration**

For example, if OUT4 and HPL is selected as the BTL ear speaker, the user should select EARSPKSEL = 3h, then OUT4 is tri-stated on jack insert to prevent sound across the ear speaker during headphone operation and HPL volume is set to OUT4 volume on jack out to ensure correct ear speaker operation. It should be noted that all other outputs except HPL, HPR and selected ear speaker driver are disabled and internally connected to VREF on jack insert. This maintains VREF at those outputs and helps prevent pops when the outputs are enabled.

Finally if the user wishes to DC couple the headphone outputs the user needs to select between OUT3 and OUT4 as the mid-rail output buffer driver. The selected mid-rail output buffer is enabled on jack insert. On jack out it defaults to whatever configuration has been set up in the Powerdown and Output PGA Mux Select registers.

REGISTER ADDRESS	BIT	LABEL	DEFAULT	DESCRIPTION
24h Output Volume Mapping (Jack Insert)	3:2	DCDRVSEL	00	<b>Jack Insert Headphone DC Reference Control</b> 00 = AC coupled headphones, no DC source 01 = OUT3 is mid-rail output buffer 10 = Reserved 11 = OUT4 is mid-rail output buffer

**Table 42 DC Coupled Headphone Configuration**

In summary:

JIEN not set: Outputs work as normal as selected in the Powerdown and Output PGA Mux Select registers.

JIEN set: On jack insertion, GPIO1/6/7/8 is pulled low, HPL and HPR are enabled, DCDRVSEL decides if the headphones are DC or AC coupled and configures OUT3 or OUT4 to suit, EARSPKSEL decides if MONO, OUT3 or OUT4 need to be tri-stated to ensure no sound out on the ear-speaker and finally all other outputs are disabled as explained above to prevent pops on re-enabling.

On jack removal, GPIO1/6/7/8 is pulled high, the outputs work as normal as selected in the Powerdown and Output PGA Mux Select registers except that HPL Volume is controlled by EARSPKSEL to ensure correct ear speaker operation.

REGISTER ADDRESS	BIT	LABEL	DEFAULT	DESCRIPTION
24h Output Volume Mapping (Jack Insert)	4	JIEN	0 (OFF)	<b>Jack Insert Control</b> 0 = Disable jack insert circuitry 1 = Enable jack insert circuitry
5Ah Additional Functions (1)	7:6	JSEL	00 (GPIO1)	<b>Jack Detect Pin Input Control</b> 00 = GPIO1 01 = GPIO6 10 = GPIO7 11 = GPIO8

**Table 43 Jack Insertion / Auto-Switching (1)**

J1EN	EARSPKSEL	DCDRVSEL	GPIO1	MODE DESCRIPTION	HPL STATE	HPL VOLUME	HPR STATE	HPR VOLUME	MONO STATE	OUT3 STATE	OUT4 STATE	SPKL STATE	SPKR STATE
0	XX	XX	X	Jack Insert Detection Disabled.	User Controlled	User Controlled	User Controlled	User Controlled	User Controlled	User Controlled	User Controlled	User Controlled	User Controlled
1	00	00	0	Jack Insert Detection Enabled. Headphone plugged in. No Ear Speaker Selected. AC Coupled Headphone Selected.	Enabled	HPL Volume	Enabled	HPR Volume	HZ	HZ	HZ	HZ	HZ
1	01	00	0	Jack Insert Detection Enabled. Headphone plugged in. MONO Ear Speaker Selected. AC Coupled Headphone Selected.	Enabled	HPL Volume	Enabled	HPR Volume	Tri-States	HZ	HZ	HZ	HZ
1	10	00	0	Jack Insert Detection Enabled. Headphone plugged in. OUT3 Ear Speaker Selected. AC Coupled Headphone Selected.	Enabled	HPL Volume	Enabled	HPR Volume	HZ	Tri-States	HZ	HZ	HZ
1	11	00	0	Jack Insert Detection Enabled. Headphone plugged in. OUT4 Ear Speaker Selected. AC Coupled Headphone Selected.	Enabled	HPL Volume	Enabled	HPR Volume	HZ	HZ	Tri-States	HZ	HZ
1	11	01	0	Jack Insert Detection Enabled. Headphone plugged in. OUT4 Ear Speaker Selected. OUT3 DC Coupled Headphone Selected.	Enabled	HPL Volume	Enabled	HPR Volume	HZ	VMID	Tri-States	HZ	HZ
1	00	XX	1	Jack Insert Detection Enabled. Headphone plugged out. No Ear Speaker Selected.	User Controlled	User Controlled	User Controlled	User Controlled	User Controlled	User Controlled	User Controlled	User Controlled	User Controlled
1	11	XX	1	Jack Insert Detection Enabled. Headphone plugged out. OUT4 Ear Speaker Selected.	User Controlled	OUT4 Volume	User Controlled	User Controlled	User Controlled	User Controlled	User Controlled	User Controlled	User Controlled

**Table 44 Jack Insertion / Auto-Switching (2)**

**DIGITAL AUDIO (S/PDIF) OUTPUT**

The WM9713L supports the S/PDIF standard. Pins 48 & 12 can be used to output the S/PDIF data. Note that pins 48 & 12 can also be used as GPIO pins. The GE5 & GE8 bits (register 56h, bit 5 & bit 8) select between GPIO and S/PDIF functionality for pins 48 & 12 respectively (see "GPIO and Interrupt Control").

Register 3Ah is a read/write register that controls S/PDIF functionality and manages bit fields propagated as channel status (or sub-frame in the V case). With the exception of V, this register should only be written to when the S/PDIF transmitter is disabled (S/PDIF bit in register 2Ah is '0'). Once the desired values have been written to this register, the contents should be read back to ensure that the sample rate in particular is supported, then S/PDIF validity bit SPCV in register 2Ah should be read to ensure the desired configuration is valid. Only then should the S/PDIF enable bit in register 2Ah be set. This ensures that control and status information start up correctly at the beginning of S/PDIF transmission.

REGISTER ADDRESS	BIT	LABEL	DEFAULT	DESCRIPTION
2Ah Extended Audio	10	SPCV	0	<b>S/PDIF Validity Bit (Read Only)</b> 1 = Valid 0 = Not valid
	5:4	SPSA	01	<b>S/PDIF Slot Assignment Control</b> 00 = Slots 3 and 4 01 = Slots 6 and 9 10 = Slots 7 and 8 11 = Slots 10 and 11 <b>Note:</b> This control is only valid when ADCO=0 in 5Ch
	2	SEN	0	<b>S/PDIF Output Enable Control</b> 1 = Enabled 0 = Disabled
3Ah S/PDIF Control Register	15	V	0	<b>S/PDIF Validity Bit</b> 1 = Valid 0 = Not valid
	14	DRS	0	Indicates that the WM9713L does not support double rate S/PDIF output (read-only)
	13:12	SPSR	10	Indicates that the WM9713L only supports 48kHz sampling on the S/PDIF output (read-only)
	11	L	0	<b>S/PDIF L-bit Control</b> Programmed as required by user
	10:4	CC	0000000	<b>S/PDIF Category Code Control</b> Category code; programmed as required by user
	3	PRE	0	<b>S/PDIF Pre-emphasis Indication Control</b> 0 = no pre-emphasis 1 = 50/15µs pre-emphasis
	2	COPY	0	<b>S/PDIF Copyright Indication Control</b> 0 = Copyright not asserted 1 = Copyright asserted
	1	AUDIB	0	<b>S/PDIF Non-audio Indication Control</b> 0 = PCM data 1 = Non-PCM data (e.g. DD or DTS)
	0	PRO	0	<b>S/PDIF Professional Indication Control</b> 0 = Consumer mode 1 = Professional mode



REGISTER ADDRESS	BIT	LABEL	DEFAULT	DESCRIPTION
5Ch Additional Function Control	4	ADCO	0	<b>S/PDIF Data Source Control</b> 0 = From SDATAOUT (pin 5) 1 = Output from audio ADC <b>Note:</b> Slot selected by SPSA in 2Ah

**Table 45 S/PDIF Output Control**

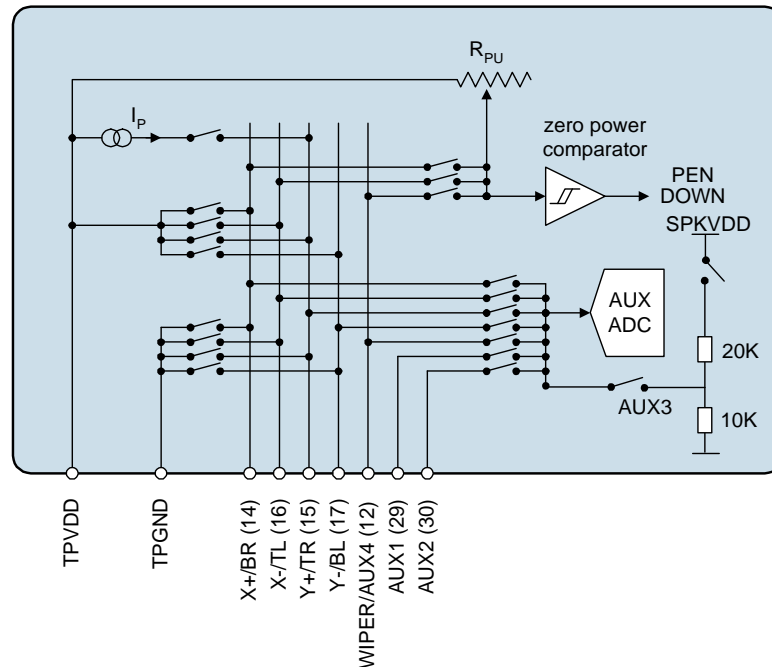
## TOUCHPANEL INTERFACE

The WM9713L includes a touchpanel driver and digitiser circuit for use with 4-wire or 5-wire resistive touchpanels. The following functions are implemented:

- X co-ordinate measurement
- Y co-ordinate measurement
- Pen down detection, with programmable sensitivity
- Touch pressure measurement (4-wire touchpanel only)
- Auxiliary measurement from COMP1/AUX1 (pin 29), COMP2/AUX2 (pin 30), or WIPER/AUX4 (pin 12)

The touchpanel digitiser uses a very low power, 12-bit successive approximation type ADC. The same ADC can also be used for battery and auxiliary measurements (see “Battery Alarm and Analogue Comparators” and “Auxiliary ADC Inputs”).

An on-chip switch matrix connects each touchpanel terminal to the supply voltage TPVDD, to ground (TPGND), or to the ADC input, as required.

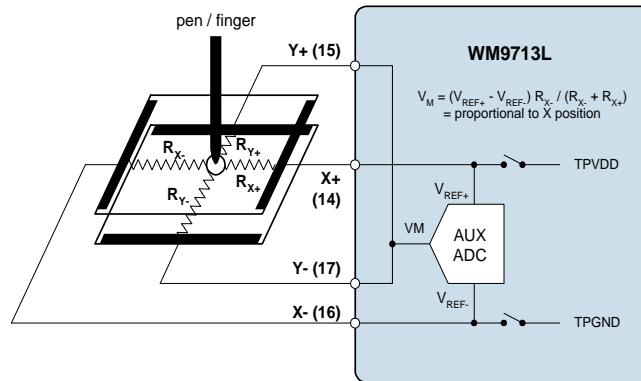

**Figure 24 Touchpanel Switch Matrix**

## PRINCIPLE OF OPERATION – FOUR-WIRE TOUCHPANEL

Four-wire touchpanels are connected to the WM9713L as follows:

- Right side contact = X+ (pin 14)
- Left side contact = X- (pin 16)
- Top side contact = Y+ (pin 15)
- Bottom side contact = Y- (pin 17)

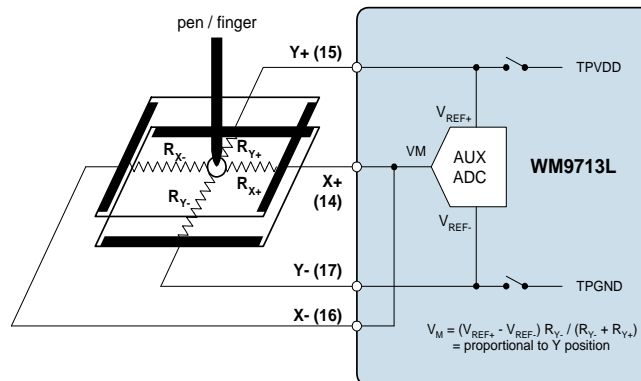
The principle of operation is illustrated in Figure 25 through Figure 28. (Note: the illustrations assume that the top plate is used for X and the bottom plate for Y measurements, although the reverse is also possible).



**Figure 25 X Co-ordinate Measurement on 4-wire Touchpanel**

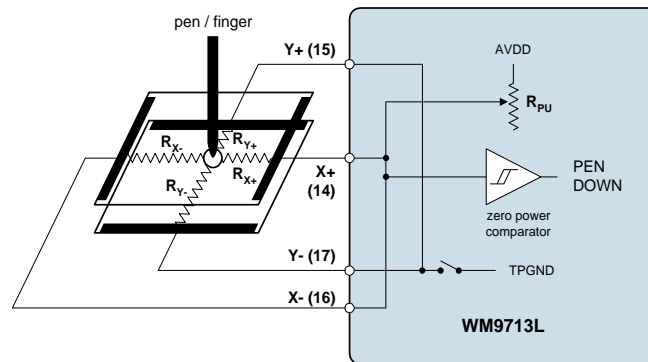
For an X co-ordinate measurement, the X+ pin is internally switched to TPVDD and X- to TPGND. The X plate becomes a potential divider, and the voltage at the point of contact is proportional to its X co-ordinate. This voltage is measured on the Y+ and Y- pins, which carry no current (hence there is no voltage drop in  $R_{Y+}$  or  $R_{Y-}$ ).

Due to the ratiometric measurement method, the supply voltage does not affect measurement accuracy. The voltage references  $V_{REF+}$  and  $V_{REF-}$  are taken from after the matrix switches, so that any voltage drop in these switches has no effect on the ADC measurement.



**Figure 26 Y Co-ordinate Measurement on 4-wire Touchpanel**

Y co-ordinate measurements are similar to X co-ordinate measurements, with the X and Y plates interchanged.

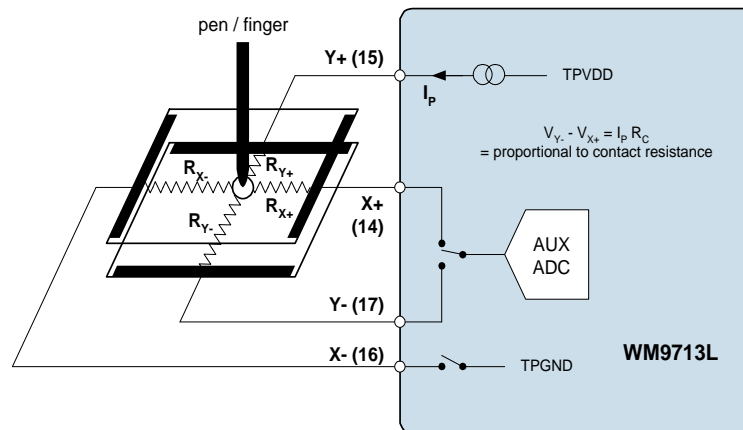


**Figure 27 Pen Down Detection on 4-wire Touchpanel**

Pen down detection uses a zero power comparator (effectively a CMOS logic gate) with an internal, programmable pull-up resistor  $R_{PU}$  that controls pen-down sensitivity. Increasing  $R_{PU}$  makes the touchpanel less sensitive to touch, while lowering  $R_{PU}$  makes it more sensitive.

When the touchpanel is not being touched, no current flows in the circuit, and the PENDOWN signal is low. When the panel is touched with a pen or finger, current flows through  $R_{PU}$  and the panel, and the comparator output goes high.

The PENDOWN signal can be read from bit 15 in register 7Ah (labeled PNDN). It can also be observed on pin 46 (GPIO3 / PENDOWN), if the pin is not used for GPIO (GE3=0). Additionally, PENDOWN is passed to the GPIO logic block (register 54h, bit 13), where it can generate CPU interrupts, and / or to wake up the WM9713L from sleep mode (see “GPIO and Interrupt Control”).



**Figure 28 Touch Pressure Measurement on 4-wire Touchpanel**

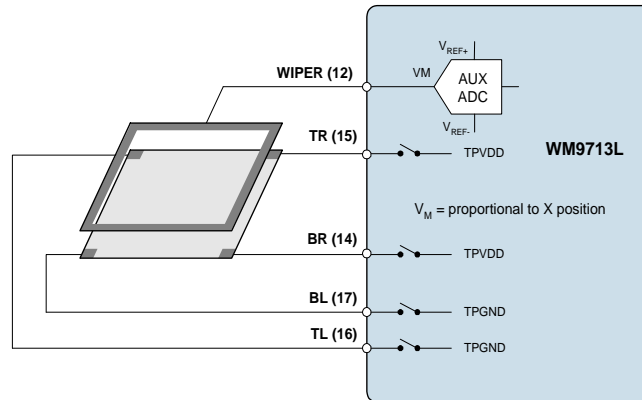
Touch pressure can be determined indirectly by measuring the contact resistance  $R_C$  between the top and bottom plates.  $R_C$  decreases as the touch pressure on the panel increases. The WM9713L measures  $R_C$  by sending a constant current  $I_P$  through the touchpanel and measuring the potential on each plate. The two values are subtracted in the digital domain to obtain the potential difference, which is proportional to  $R_C$ .

To suit different types of touchpanels, the magnitude of  $I_P$  can be set to either  $400\mu A$  or  $200\mu A$  using the PIL control bit.

**PRINCIPAL OF OPERATION – FIVE-WIRE TOUCHPANEL**

Five-wire touchpanels are connected to the WM9713L as follows:

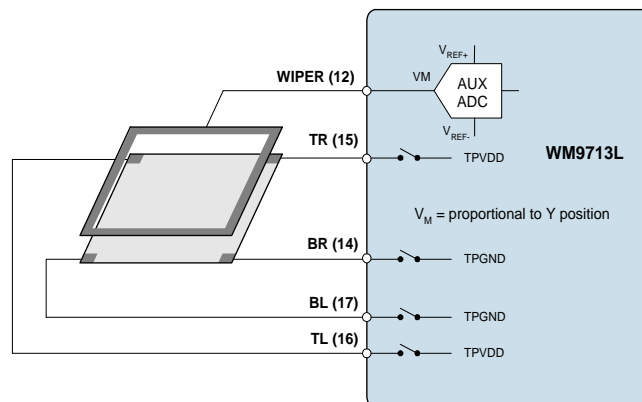
- Top sheet contact = WIPER/AUX4 (pin 12)
- Top left corner of bottom sheet = TL (pin 16)
- Top right corner of bottom sheet = TR (pin 15)
- Bottom left corner of bottom sheet = BL (pin 17)
- Bottom right corner of bottom sheet = BR (pin 14)



**Figure 29 X Co-ordinate Measurement on 5-wire Touchpanel**

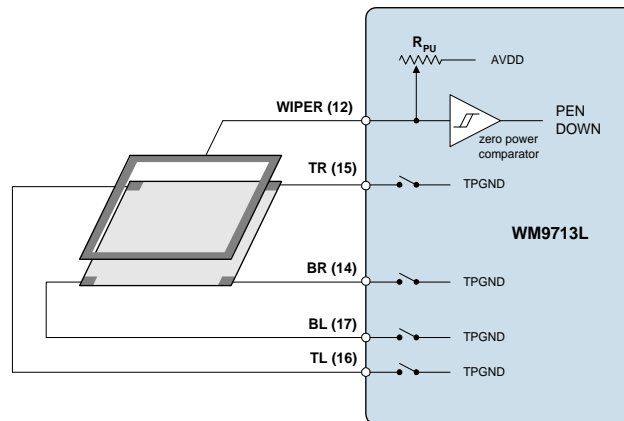
For an X co-ordinate measurement, the top left and bottom left corners of the touchpanel are grounded internally to the WM9713L, while the top right and bottom right contacts are connected to TPVDD. The bottom plate becomes a potential divider with a voltage gradient in the X direction. The voltage at the point of contact is proportional to its X co-ordinate. This voltage is measured on the WIPER pin and converted to a digital value by the ADC.

Due to the ratiometric measurement method, the supply voltage does not affect measurement accuracy. The voltage references VREF+ and VREF- are taken from after the matrix switches, so that any voltage drop in these switches has no effect on the ADC measurement.



**Figure 30 Y Co-ordinate Measurement on 5-wire Touchpanel**

Y co-ordinate measurements are similar to Y co-ordinate measurements. However, the voltage gradient on the bottom plate is in the Y direction instead of the X direction. This is achieved by grounding the bottom left and bottom right corners of the touchpanel, and connecting the top-left and top-right contacts to TPVDD.



**Figure 31 Pen Down Detection on 5-wire Touchpanel**

Pen down detection works in a similar fashion for both 4-wire and 5-wire touchpanels (see “Principle of Operation – Four-wire Touchpanel”). On a 5-wire touchpanel, all four contacts of the bottom plate are grounded, and the top plate contact is connected to the internal programmable pull-up resistor,  $R_{PU}$ .

## CONTROLLING THE TOUCHPANEL DIGITISER

All touchpanel functions are accessed and controlled through the AC-Link interface.

### PHYSICAL CHARACTERISTICS

The physical characteristics of the touchpanel interface are controlled through register 78h, as shown in Table 46.

REGISTER ADDRESS	BIT	LABEL	DEFAULT	DESCRIPTION
78h	12	45W	0 (4-wire)	<b>Touchpanel Type Control</b> 0 = 4-wire 1 = 5-wire
	8	PIL	0 (200 $\mu$ A)	<b>Pressure Measurement Current Control</b> 0 = $I_P = 200\mu\text{A}$ 1 = $I_P = 400\mu\text{A}$
	0:5	RPU	000001 (64k $\Omega$ )	<b>Internal Pull-up Resistor Control</b> 000000 = Reserved 000001 = 64k $\Omega$ /1 (most sensitive) 000010 = 64k $\Omega$ /2 000011 = 64k $\Omega$ /3 ... (64k $\Omega$ /binary value of RPU) 111111 = 64k $\Omega$ /63 (least sensitive) <b>Note:</b> used to adjust sensitivity of Pen Down detection

**Table 46 Touchpanel Digitiser Control (Physical Characteristics)**

**POWER MANAGEMENT**

To save power, the touchpanel digitiser and the pen-down detector can be independently disabled when they are not used. The power consumption of the pen-down detector is normally negligible, except when the pen is down.

The pen ADC is powered-down using PADCPD, register 3Ch bit 15.

The state of the digitiser and pen-down detector is controlled by using the bits described in Table 47.

REGISTER ADDRESS	BIT	LABEL	DEFAULT	DESCRIPTION
3Ch	15	PADCPD	1 = off	<b>Touchpanel / AUXADC Disable Control</b> 1 = Disabled 0 = Enabled
78h	15:14	PRP	00	<b>Touchpanel Digitiser Power State Control</b> 00 = Pen digitiser off, pen detect off, no wake-up on pen down (default) 01 = Pen digitiser powered off, pen detect enabled, touchpanel digitiser wakes up (changes to state 11) on pen-down 10 = Pen digitiser off, pen detect enabled, no wake-up on pen down 11 = Pen digitiser and pen detect enabled
	13	RPR	0	<b>Pen Detect Wake-up Mode Control</b> 0 = Wake-up the AC-Link only (hold SDATAIN high until controller sends warm reset or cold reset) 1 = Wake-up the WM9713L without waiting for a reset signal from the controller

**Table 47 Touchpanel Digitiser Control (Power Management)**

**INITIATION OF MEASUREMENTS**

The WM9713L touchpanel interface supports both polling routines and DMA (direct memory access) to control the flow of data from the touchpanel ADC to the host CPU.

In a polling routine, the CPU starts each measurement individually by writing to the POLL bit (register 74h, bit 9). This bit automatically resets itself when the measurement is completed.

REGISTER ADDRESS	BIT	LABEL	DEFAULT	DESCRIPTION
74h	9	POLL	0	<b>Poll Measurement Control</b> Writing "1" initiates a measurement (when CTC=0)
	8	CTC	0	<b>AUXADC Measurement Mode</b> 0 = Polling mode 1 = Continuous mode (for DMA)

REGISTER ADDRESS	BIT	LABEL	DEFAULT	DESCRIPTION
76h	9:8	CR	00	<p><b>Continuous Mode Conversion Rate</b></p> <p>Continuous mode rate (DEL ≠ 1111)            00: 93.75 Hz (every 512 AC-Link frames)            01: 120 Hz (every 400 AC-Link frames)            10: 153.75 Hz (every 312 AC-Link frames)            11: 187.5Hz (every 256 AC-Link frames)</p> <p>Continuous mode “fast rate” (DEL = 1111)            00: 8 kHz (every six AC-Link frames)            01: 12 kHz (every four AC-Link frames)            10: 24 kHz (every other AC-Link frame)            11: 48 kHz (every AC-Link frame)</p> <p><b>Note:</b> PENDIV bits in 44h [5:3] should be set to 111 in 48kHz mode to ensure that samples occur synchronously on the AC97 data channel</p>
78h	11	PDEN	0	<p><b>Touchpanel Measurement Pen Status Control</b></p> <p>0 = Measure regardless of pen status            1 = Measure only when pen is down (when CTC=0 and POLL=1, measurement is delayed until pen-down; when CTC=1, measurements are stopped on pen-up)</p>
	10	PDPOL	0	<p><b>PENDOWN Polarity Control</b></p> <p>0 = Normal            1 = Inverted</p>

**Table 48 Touchpanel Digitiser Control (Initiation of Measurements)**

In continuous mode (CTC = 1), the WM9713L autonomously initiates measurements (or sets of measurements) at the rate set by CR, and supplies the measured data to the CPU on one of the unused AC'97 time slots. DMA-enabled CPUs can write the data directly into a FIFO without any intervention by the CPU core. This reduces CPU loading and speeds up the execution of user programs in handheld systems.

Note that the measurement frequency in continuous mode is also affected by the DEL bits (see “Touchpanel Settling Time”). The faster rates achieved when DEL = 1111 may be useful when the ADC is used for auxiliary measurements.

**MEASUREMENT TYPES**

The ADCSEL control bits determine which type of measurement is performed (see Table 49).

REGISTER ADDRESS	BIT	LABEL	DEFAULT	DESCRIPTION
74h	7	ADCSEL_AUX4	0	<b>AUX4 Measurement Enable Control</b> 0 = Disable AUX4 measurement (pin 12) 1 = Enable AUX4 measurement (pin 12)
	6	ADCSEL_AUX3	0	<b>AUX3 Measurement Enable Control</b> 0 = Disable AUX3 measurement (SPKVDD/3) 1 = Enable AUX3 measurement (SPKVDD/3)
	5	ADCSEL_AUX2	0	<b>AUX2 Measurement Enable Control</b> 0 = Disable AUX2 measurement (pin 30) 1 = Enable AUX2 measurement (pin 30)
	4	ADCSEL_AUX1	0	<b>AUX1 Measurement Enable Control</b> 0 = Disable AUX1 measurement (pin 29) 1 = Enable AUX1 measurement (pin 29)
	3	ADCSEL_PRESSURE	0	<b>Pressure Measurement Enable Control</b> 0 = Disable pressure measurement 1 = Enable pressure measurement
	2	ADCSEL_Y	0	<b>Y Co-ordinate Measurement Enable Control</b> 0 = Disable Y co-ordinate measurement 1 = Enable Y co-ordinate measurement
	1	ADCSEL_X	0	<b>X Co-ordinate Measurement Enable Control</b> 0 = Disable X co-ordinate measurement 1 = Enable X co-ordinate measurement
	0	COO	0	<b>Co-ordinate Mode Control</b> 0 = Single measurement 1 = Co-ordinate measurement

**Table 49 Touchpanel Digitiser Control (Measurement Types)**

When COO is '0', the WM9713L performs a single measurement – either in polling mode or continuously, as indicated by the CTC bit. The type of measurement is specified by the ADCSEL[7:1] bits. If CTC=0 (polling mode) then only one of the ADCSEL[7:1] bits should be set.

If operating in continuous mode (CTC=1), then more than one ADCSEL[7:1] bit may be set and selected conversions will be performed cyclically in the following order:

X, Y, PRESSURE, AUX1, AUX2, AUX3, AUX4

The co-ordinate mode (COO = '1') makes it easier to obtain co-ordinate pairs rather than single co-ordinates. In polling-coordinate mode (CTC = '0', COO = '1'), the WM9713L performs an X co-ordinate, then a Y co-ordinate, followed by a single additional measurement determined by ADCSEL[7:1], then stops. In continuous-coordinate mode (CTC = '1', COO = '1'), the WM9713L continuously repeats a sequence consisting of an X-co-ordinate, Y co-ordinate, then an additional measurement determined by ADCSEL[7:1]. At least one of the ADCSEL bits must be set in continuous coordinate mode when CTC = COO = 1). Should more than one of the ADCSEL[7:1] bits be set during continuous co-ordinate mode then the additional measurement alternates for every set of three measurements. For example, if ADCSEL\_AUX1 and ADCSEL\_AUX3 were both selected whilst CTC = '1', COO = '1' then the following sequence of conversions would be performed:

X, Y, AUX1, X, Y, AUX3, X, Y, AUX1, X, Y, AUX3



### CONVERSION RATE

As stated previously, the conversion rate is specified by the CR bits (reg 76h).

CR may be set to 93.75Hz (every 512 AC-Link Frames), 120Hz (every 400 AC-Link Frames), 153.75Hz (every 312 AC-Link frames) or 187.5Hz (every 256 AC-Link frames).

If only one ADRSEL[7:1] bit is set, each individual conversion occurs at the rate specified by CR.

If multiple ADRSEL[7:1] bits are set, the complete set of conversions requested is completed at the rate specified by CR.

### DATA READBACK

This data is stored in register 7Ah, and can be retrieved by reading the register in the usual manner (see "AC97 Interface"). Additionally, the data can also be passed to the controller on one of the AC-Link time slots not used for audio functions.

The output data word of the touchpanel interface consists of three parts:

- Pen Status (1 bit) – this is also passed to the GPIO logic block, which can be programmed to generate an interrupt and/or wake up the WM9713L on pen down (see GPIO and Interrupt Control).
- Output data from the touchpanel ADC (12 bits)
- ADCSRC: 3 additional bits that indicate the source of the ADC data. In co-ordinate mode (COO = '1'), the WM9713L schedules different types of measurements autonomously and so these register bits may be required.

If the data is being read back using the polling method, there are several ways to determine when a measurement has finished:

- Reading back the POLL bit. If it has been reset to '0', then the measurement has finished.
- Monitoring the ADA signal (see "GPIO and Interrupt Control"). ADA goes high after every single conversion. If operating in co-ordinate mode (COO=1) then ADA goes high after every group of 3 conversions.
- Reading back 7Ah until the new data appears

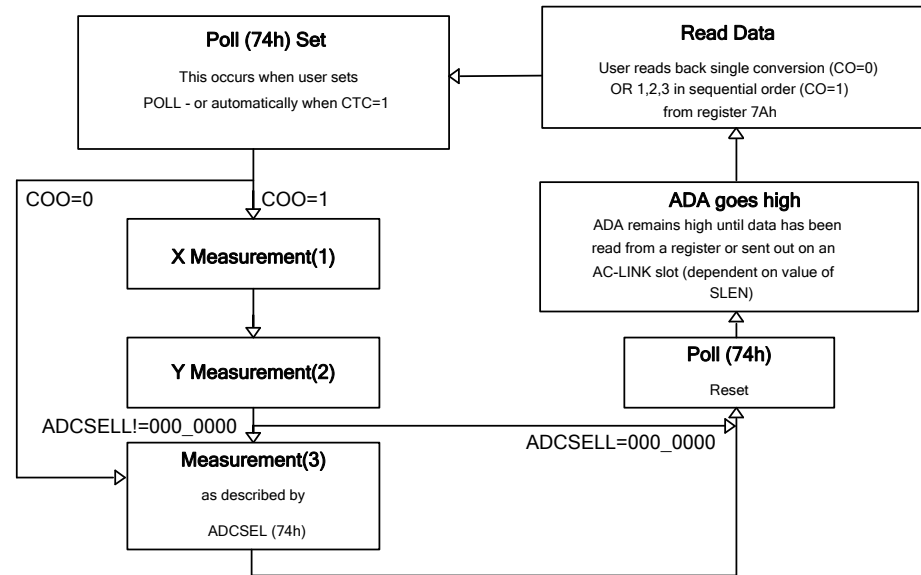
REGISTER ADDRESS	BIT	LABEL	DEFAULT	DESCRIPTION
7Ah or AC-Link slot selected by SLT	15	PNDN	0	<b>Pen Status (Read-only)</b> 0 = Pen up 1 = Pen down
	14:12	ADCSRC	000	<b>Touchpanel ADC Source</b> 000 = No measurement 001 = X co-ordinate measurement 010 = Y co-ordinate measurement 011 = Pressure measurement (4-wire only) 100 = COMP1/AUX1 measurement (pin 29) 101 = COMP2/AUX2 measurement (pin 30) 110 = AUX3 measurements (SPKVDD/3) 111 = WIPER/AUX4 measurement (pin 12)
	11:0	ADCD	000h	<b>Touchpanel ADC Data (Read-only)</b> Bit 0 = LSB Bit 11 = MSB
78h	9	WAIT	0	<b>Touchpanel ADC Data Control</b> 0 = Overwrite existing data in 7Ah with new data 1 = Retain existing data in 7Ah until it is read

**Table 50 Touchpanel Digitiser Data**

When operating in co-ordinate mode (COO=1) there will be 3 results to read back from each set of measurements – X, Y, and the third additional measurement. After the co-ordinate set has finished the X result will be present in register 7Ah. Once this has been read back by the user the Y result will overwrite register 7Ah, as indicated by ADCSRC. Finally, after the Y result has been read back, the result of the third, additional, measurement will become present in 7Ah, again indicated by ADCSRC.

To avoid losing data that has not yet been read, the WM9713L can delay overwriting register 7Ah with new conversions until the old data has been read. This function is enabled using the WAIT bit, and applies to both single and co-ordinate conversion mode.

The flow diagram in Figure 32 shows the timing of touchpanel conversions, and data readback from register 7Ah - dependent on the individual settings of the COO, POLL, ADCSEL and CTC bits.



- POLL (74h) Starts a single measurement
- CTC (74h) Starts a co-ordinate measurement at specified conversion rate
- COO (74h) Enables Co-ordinate mode
- ADCSEL (74H) Specifies the type of measurement to be made

**Figure 32 Touchpanel Conversion Flow Diagram**

If the SLEN bit is set to '1', then the touchpanel data appears on the AC-Link slot selected by the SLT control bits, as shown below. The Slot 0 'tag' bit corresponding to the selected time slot is asserted whenever there is new data on that slot.

REGISTER ADDRESS	BIT	LABEL	DEFAULT	DESCRIPTION
76h	3	SLEN	0	<b>Slot Readback Enable Control</b> 0 = Disabled (readback through register map only) 1 = Enabled (readback slot selected by SLT)
	2:0	SLT	110	<b>AC'97 Slot for Touchpanel Data Control</b> 000 = Slot 5 001 = Slot 6 010 = Slot 7 011 = Slot 8 100 = Slot 9 101 = Slot 10 110 = Slot 11 111 = Reserved

**Table 51 Returning Touchpanel Data Through an AC-Link Time Slot**

#### TOUCHPANEL SETTling TIME

For accurate touchpanel measurements, some settling time may be required between the switch matrix applying a voltage across the touchpanel plate and the ADC sampling the signal. This time delay function is built into the WM9713L and can be programmed as shown below.

REGISTER ADDRESS	BIT	LABEL	DEFAULT	DESCRIPTION
76h	7:4	DEL	0000 (1 frame)	<b>Touchpanel Settling Time Control</b> See Table 53 for details

**Table 52 Touchpanel Settling Time Control (1)**

DEL	DELAY (AC-LINK FRAMES)	DELAY (TIME)
0000	1	20.8µs
0001	2	41.7µs
0010	4	83.3µs
0011	8	167µs
0100	16	333µs
0101	32	667µs
0110	48	1ms
0111	64	1.33ms
1000	96	2ms
1001	128	2.67ms
1010	160	3.33ms
1011	192	4ms
1100	224	4.67ms
1101	256	5.33ms
1110	288	6ms
1111	No delay, switch matrix always on	

**Table 53 Touchpanel Settling Time Control (2)**

The total time for co-ordinate or auxiliary measurements to complete is the delay time DEL, plus one AC-Link frame (20.8µs). For a pressure measurement, the time taken is DEL plus two AC-Link frames (41.6µs).

Although the DELAY is variable the maximum value that may be programmed depends on the number of ADCSEL[7:1] bits set, as shown in the following table. Setting multiple ADCSEL[7:1] bits leaves less spare AC\_Link frames for the DELAY.

NUMBERS OF ADCSEL[1:7] BITS SET	CR SETTING	MAX DELAY SETTING
1	00 (93.75Hz)	288
1	01 (120Hz)	288
1	10 (153.75Hz)	288
1	11 (187.5Hz)	256
2	00 (93.75Hz)	256
2	01 (120Hz)	192
2	10 (153.75Hz)	128
2	11 (187.5Hz)	128
3, 4	00 (93.75Hz)	96
3, 4	01 (120Hz)	96
3, 4	10 (153.75Hz)	64
3, 4	11 (187.5Hz)	48
5,6,7	00 (93.75Hz)	48
5,6,7	01 (120Hz)	48
5,6,7	10 (153.75Hz)	32
5,6,7	11 (187.5Hz)	16
1 (if COO=1)	00 (93.75Hz)	224
1 (if COO=1)	01 (120Hz)	192
1 (if COO=1)	10 (153.75Hz)	128
1 (if COO=1)	11 (187.5Hz)	96
2,3,4,5,6,7 (if COO=1)	00 (93.75Hz)	160
2,3,4,5,6,7 (if COO=1)	01 (120Hz)	128
2,3,4,5,6,7,8 (if COO=1)	10 (153.75Hz)	96
2,3,4,5,6,7,8 (if COO=1)	11 (187.5Hz)	64

**Table 54 Maximum Delay Values**

Setting DEL to '1111' reduces the settling time to zero, i.e. measurements begin immediately. This mode is intended for fast sampling on AUX inputs. It is NOT intended for touchpanel digitisation. There are several side-effects when DEL is set to '1111':

- Co-ordinate mode does not work, i.e. the WM9713L behaves as if COO = 0, even if COO = 1 (see "Measurement Types")
- If X / Y co-ordinate or touch pressure measurements are selected (ADCSEL = 001, 010 or 011), then the switch matrix is constantly on, and current constantly flows in the touchpanel. This increases power consumption in the system, and is therefore not recommended for battery powered systems
- In continuous mode (CTC = 1), setting DEL = 1111 increases the sampling rate of the touchpanel ADC (see "Initiation of Measurements")

**MASK INPUT CONTROL**

Sources of glitch noise, such as the signals driving an LCD display, may feed through to the touchpanel plates and affect measurement accuracy. In order to minimise this effect, a signal may be applied to MASK (pin 47 / pin 3) to delay or synchronise the sampling of any input to the ADC. The effect of the MASK signal depends on the MSK bits of register 78h, as described in Table 55.

REGISTER ADDRESS	BIT	LABEL	DEFAULT	DESCRIPTION
78h	7:6	MSK	00	<b>Mask Input Control</b> see Table 56 for details

**Table 55 MASK Input Control**

MSK[1-0]	EFFECT OF SIGNAL ON MASK PIN
00	Mask has no effect on conversions GPIO input disabled (default)
01	Static; 'hi' on MASK pin stops conversions, 'lo' has no effect.
10	Edge triggered; rising or falling edge on MASK pin delays conversions by an amount set in the DEL[3-0] register. Conversions are asynchronous to the MASK signal.
11	Synchronous mode; conversions wait until rising or falling edge on MASK initiates cycle; screen starts to be driven when the edge arrives, the conversion sample being taken a period set by DEL[3-0] after the edge.

**Table 56 Controlling the MASK Feature**

Note that pin 47 / pin 3 can also be used as a GPIO (see "GPIO and Interrupt Control"), or to output the ADA signal (see below).

**ADA (ADC DATA AVAILABLE) SIGNAL**

Whenever data becomes available from the touchpanel ADC, the internal ADA (ADC Data Available) signal goes high and remains high until the data has been read from register 7Ah (if SLEN = 0) or until it has been sent out on an AC-Link slot (if SLEN = 1).

ADA goes high either-

- After every touchpanel ADC conversion (in normal mode, COO=0)
- After every set of 3 conversions (co-ordinate mode, COO=1)

ADA can be used to generate an interrupt, if the AW bit (register 52h, bit 12) is set (see "GPIO and Interrupt Control").

It is also possible to output the ADA signal on pin 47 / pin 3, if this pin is not used as a GPIO. The GE4/6 bit must be set to '0' to achieve this (see "GPIO and Interrupt Control").

Alternatively, ADA can be read from bit 12 in register 54h.

## ADDITIONAL FEATURES

### AUXILIARY ADC INPUTS

The ADC used for touchpanel digitisation can also be used for the sole purpose of auxiliary measurements, provided that it is enabled (register 78h, PRP = 11). The WM9713L has three pins that can be used as auxiliary ADC inputs:

- MIC2A / COMP1 / AUX1 (pin 29)
- MIC2B / COMP2 / AUX2 (pin 30)
- WIPER / AUX4 (pin 12)

Additionally, the speaker supply (SPKVDD) can be used as an auxiliary ADC input through an on-chip potential divider giving an input to the auxiliary ADC of SPKVDD/3. This input is referred to as the AUX3 input (see Figure 24).

Note that pin 12 connects to the wiper of a 5-wire touchpanel wiper function. Auxiliary measurements taken on pin 12 are only meaningful when it is not connected to a touchpanel (i.e. a 4-wire touchpanel, or no touchpanel at all, is used). Pins 29 and 30 are also used as comparator inputs (see “Battery Alarm and Analogue Comparators”), but auxiliary measurements can still be taken on these pins at any time. The ADCSEL control bits select between different ADC inputs, as shown in Table 57.

The ADCSEL control bits determine which type of measurement is performed (see Table 57). When performing auxiliary conversions the co-ordinate mode bit, COO, should be off (0).

If CTC=0 then only one of the ADCSEL[7:1] bits should be set. If operating in continuous mode (CTC=1), then more than one ADCSEL[7:1] bit may be set, and conversions will be performed cyclically in the following order: AUX1, AUX2, AUX3, AUX4 (dependent on which bits are set).

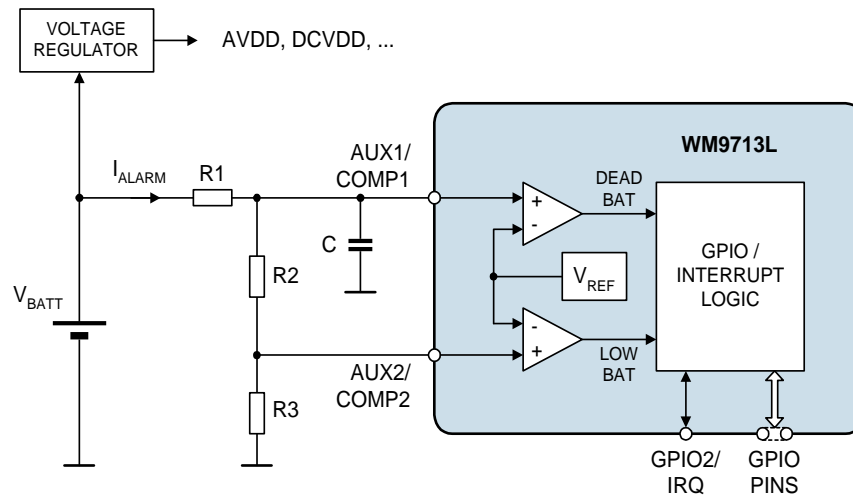
REGISTER ADDRESS	BIT	LABEL	DEFAULT	DESCRIPTION
74h	7	ADCSEL_ AUX4	0	<b>AUX4 Measurement Enable Control</b> 0 = Disable AUX4 measurement (pin 12) 1 = Enable AUX4 measurement (pin 12)
	6	ADCSEL_ AUX3	0	<b>AUX3 Measurement Enable Control</b> 0 = Disable AUX3 measurement (SPKVDD/3) 1 = Enable AUX3 measurement (SPKVDD/3)
	5	ADCSEL_ AUX2	0	<b>AUX2 Measurement Enable Control</b> 0 = Disable AUX2 measurement (pin 30) 1 = Enable AUX2 measurement (pin 30)
	4	ADCSEL_ AUX1	0	<b>AUX1 Measurement Enable Control</b> 0 = Disable AUX1 measurement (pin 29) 1 = Enable AUX1 measurement (pin 29)
	0	COO	0	<b>Co-ordinate Mode Control</b> 0 = Single measurement 1 = Co-ordinate measurement <b>Note:</b> When not measuring a touchpanel, set COO=0

**Table 57 Auxiliary ADC Measurements**

Auxiliary ADC measurements are initiated in the same way as touchpanel measurements, and the data is returned in the same manner – see “Controlling the Touchpanel Digitiser”.

**BATTERY ALARM AND ANALOGUE COMPARATORS**

The battery alarm function differs from battery measurement in that it does not actually measure the battery voltage. Battery alarm only indicates “OK”, “Low” or “Dead”. The advantage of the battery alarm function is that it does not require a clock and can therefore be used in low-power sleep or standby modes.



**Figure 33 Battery Alarm Example Schematic**

The typical schematic for a dual threshold battery alarm is shown above. This alarm has two thresholds, “dead battery” (COMP1) and “low battery” (COMP2). R1, R2 and R3 set the threshold voltages. Their values can be up to about 1MΩ in order to keep the battery current [ $I_{ALARM} = V_{BATT} / (R1+R2+R3)$ ] to a minimum (higher resistor values may affect the accuracy of the system as leakage currents into the input pins become significant).

Dead battery alarm: COMP1 triggers when  $V_{BATT} < V_{REF} \times (R1+R2+R3) / (R2+R3)$

A dead battery alarm is the highest priority of interrupt in the system. It should immediately save all unsaved data and shut down the system. The GP15, GS15 and GW15 bits must be set to generate this interrupt.

Low battery alarm: COMP2 triggers when  $V_{BATT} < V_{REF} \times (R1+R2+R3) / R3$

A low battery alarm has a lower priority than a dead battery alarm. Since the threshold voltage is higher than for a dead battery alarm, there is enough power left in the battery to give the user a warning and/or shut down “gracefully”. When  $V_{BATT}$  gets close to the low battery threshold, spurious alarms are filtered out by the COMP2 delay function.

The purpose of the capacitor C is to remove from the comparator inputs any high frequency noise or glitches that may be present on the battery (for example, noise generated by a charge pump). It forms a low pass filter with R1, R2 and R3.

$$\text{Low pass cutoff } f_c \text{ [Hz]} = 1 / (2\pi C \times (R1 \parallel (R2+R3)))$$

Provided that the cutoff frequency is several orders of magnitude lower than the noise frequency  $f_n$ , this simple circuit can achieve excellent noise rejection.

$$\text{Noise rejection [dB]} = 20 \log (f_n / f_c)$$

The circuit shown above also allows for measuring the battery voltage  $V_{BATT}$ . This is achieved simply by setting the touchpanel ADC input to be either COMP1 (ADCSEL = 100) or COMP2 (ADCSEL = 101) (see also Auxiliary ADC Inputs).

The WM9713L has two on-chip comparators that can be used to implement a battery alarm function, or other functions such as a window comparator. Each comparator has one of its inputs tied to COMP1 (pin 29) or COMP2 (pin 30), and the other tied to a voltage reference. The voltage reference can be either internally generated ( $VREF = AVDD/2$ ) or externally connected on AUX4 (pin 12).

The comparator output signals are passed to the GPIO logic block (see “GPIO and Interrupt Control” section), where they can be used to send an interrupt to the CPU via the AC-Link or via the IRQ pin, and / or to wake up the WM9713L from sleep mode. COMP1/AUX1 (pin 29) corresponds to GPIO bit 15 and COMP2/AUX2 (pin30) to bit 14.

REGISTER ADDRESS	BIT	LABEL	DEFAULT	DESCRIPTION
4Eh	15	CP1	1	<b>COMP1 Polarity Control</b> 0: Alarm when COMP1 voltage is below VREF 1: Alarm when COMP1 voltage is above VREF <b>Note:</b> see also “GPIO and Interrupt Control”
	14	CP2	1	<b>COMP2 Polarity Control</b> 0: Alarm when COMP2 voltage is below VREF 1: Alarm when COMP2 voltage is above VREF <b>Note:</b> see also “GPIO and Interrupt Control”
5Ah	15:13	COMP2 DEL	000	<b>Low Battery Alarm Delay Control</b> 000 = No delay 001 = $2^{13}$ AC-link frames (0.17s) 010 = $2^{14}$ AC-link frames (0.34s) 011 = $2^{15}$ AC-link frames (0.68s) 100 = $2^{16}$ AC-link frames (1.4s) 101 = $2^{17}$ AC-link frames (2.7s) 110 = $2^{18}$ AC-link frames (5.5s) 111 = $2^{19}$ AC-link frames (10.9s)

**Table 58 Comparator Control**

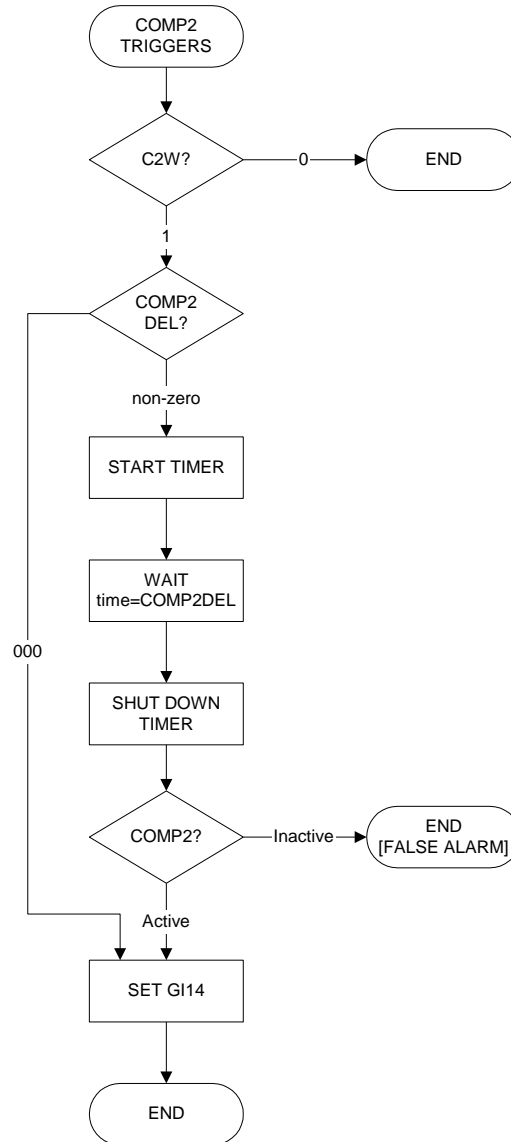
REGISTER ADDRESS	BIT	LABEL	DEFAULT	DESCRIPTION
5Ch Additional Analogue Functions	14	C2REF	0	<b>Comparator 2 Reference Voltage Select</b> 0 = $AVDD/2$ 1 = WIPER/AUX4 (pin 12)
	13:12	C2SRC	00	<b>Comparator 2 Signal Source</b> 00 = $AVDD/2$ when C2REF=1, else COMP1 powered down 01 = COMP1/AUX1 (pin 29) 10 = COMP2/AUX2 (pin 30) 11 = Reserved
	11	C1REF	0	<b>Comparator 1 Reference Voltage Select</b> 0 = $AVDD/2$ 1 = WIPER/AUX4 (pin 12)
	10:9	C1SRC	00	<b>Comparator 1 Signal Source</b> 00 = $AVDD/2$ when C1REF=1, else COMP2 powered down 01 = COMP1/AUX1 (pin 29) 10 = COMP2/AUX2 (pin 30) 11 = Reserved

**Table 59 Comparator Reference and Source Control**



**COMP2 DELAY FUNCTION**

COMP2 has an optional delay function for use when the input signal is noisy. When COMP2 triggers and the delay is enabled (i.e. COMP2DEL is non-zero), then GPIO bit 14 does not change state immediately, and no interrupt is generated. Instead, the WM9713L starts a delay timer and checks COMP2 again after the delay time has passed. If COMP2 is still active, then the GPIO bit is set and an interrupt may be generated (depending on the state of the GW14 bit). If COMP2 is no longer active, the GPIO bit is not set, i.e. all register bits are as if COMP2 had never triggered.


**Figure 34 COMP2 Delay Flow Chart**

**GPIO AND INTERRUPT CONTROL**

The WM9713L has eight GPIO pins that operate as defined in the AC'97 Revision 2.2 specification. Each GPIO pin can be set up as an input or as an output, and has corresponding bits in register 54h and in slot 12. The state of a GPIO output is determined by sending data through slot 12 of outgoing frames (SDATAOUT). Data can be returned from a GPIO input by reading the register bit, or examining slot 12 of incoming frames (SDATAIN). GPIO inputs can be made sticky, and can be programmed to generate an interrupt, transmitted either through the AC-Link or through a dedicated, level-mode interrupt pin (GPIO2/IRQ, pin 45).

In addition, the GPIO pins 1, 3, 4 and 5 can be used for the PCM interface by setting bit 15 of register 36h (see "PCM Audio Data Formats" section). Setting this bit disables any GPIO functions selected on these pins.

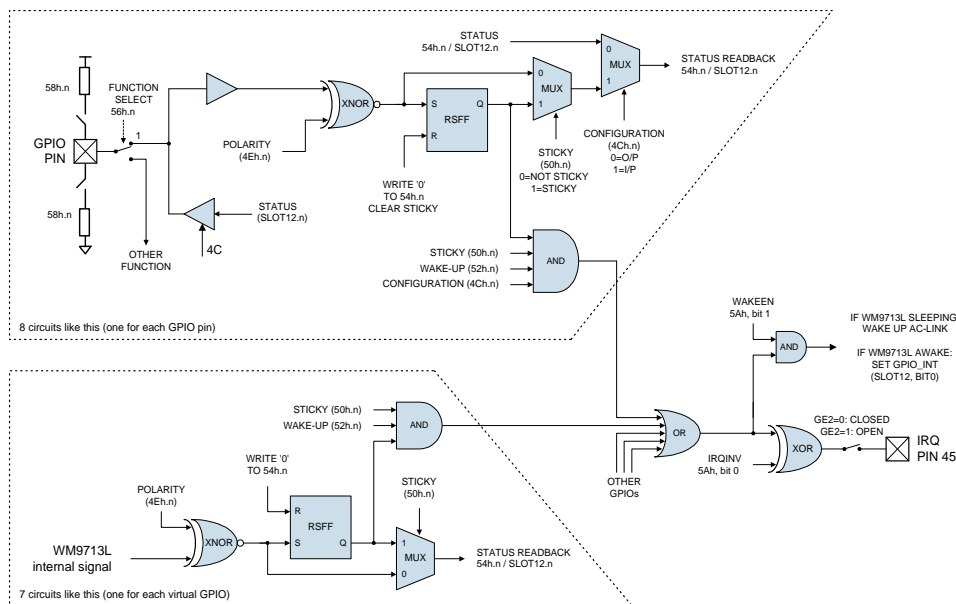
REGISTER ADDRESS	BIT	LABEL	DEFAULT	DESCRIPTION
36h PCM CODEC Control	15	CTRL	0	<b>GPIO Pin Configuration Control</b> 0 = GPIO pins used as GPIOs 1 = GPIO pins used as PCM interface <b>Note:</b> For PCM interface, one or more of these pins (depending on master/slave/partial master mode) must be set up as an output by writing to register 4Ch (see Table 62)
56h GPIO Pin Sharing	8:2	GE <sub>n</sub>	1 (GPIO)	<b>Toggle GPIO pin function</b> 0: secondary function enabled 1: GPIO enabled

**Table 60 GPIO Additional Function Control**

GPIO pins 2 to 8 are multi-purpose pins that can also be used for other (non-GPIO / -PCM) purposes, e.g. as a S/PDIF output or to signal pendown. This is controlled by register 56h (see Table 63).

Note that GPIO6/7/8 each have an additional function independent of the GPIO / auxiliary functions discussed above. If these pins are to be used as GPIO then the independent function needs to be disabled using its own control registers, e.g. to use pin 11 as a GPIO then the RESETB function needs to be disabled (RSTDIS, register 5Ah, bit 8).

Independently of the GPIO pins, the WM9713L also has seven virtual GPIOs. These are signals from inside the WM9713L, which are treated as if they were GPIO input signals. From a software perspective, virtual GPIOs are the same as GPIO pins, but they cannot be set up as outputs, and are not tied to an actual pin. This allows for simple, uniform processing of different types of signals that may generate interrupts (e.g. pen down, battery warnings, jack insertion, high-temperature warning, or GPIO signals).



**Figure 35 GPIO Logic**

GPIO BIT	SLOT 12 BIT	TYPE	PIN NO.	DESCRIPTION
1	5	GPIO Pin	44	GPIO1
2	6	GPIO Pin	45	GPIO2 / IRQ enabled only when pin not used as IRQ
3	7	GPIO Pin	46	GPIO3 / PENDOWN enabled only when pin not used as PENDOWN
4	8	GPIO Pin	47	GPIO4 / ADA / MASK enabled only when pin not used as ADA
5	9	GPIO Pin	48	GPIO5 / S/PDIF_OUT enabled only when pin not used as S/PDIF_OUT
6	10	GPIO Pin	3	GPIO6 / ADA / MASK Enabled only when pin not used as ADA
7	11	GPIO Pin	11	GPIO7 / PENDOWN enabled only when pin not used as PENDOWN
8	12	GPIO Pin	12	GPIO8 / S/PDIF_OUT enabled only when pin not used as S/PDIF_OUT
9	13	Virtual GPIO	- [MICDET]	Internal microphone bias current detect, generates an interrupt above a threshold (see MICBIAS Current Detect)
10	14	Virtual GPIO	- [MICSHT]	Internal shorted microphone detect, generates an interrupt above a threshold (see MICBIAS Current Detect)
11	15	Virtual GPIO	- [Thermal Cutout]	Internal thermal cutout signal, indicates when internal temperature reaches approximately 150°C (see "Thermal Sensor")
12	16	Virtual GPIO	- [ADA]	Internal ADA (ADC Data Available) Signal enabled only when touchpanel ADC is active
13	17	Virtual GPIO	- [PEN DOWN]	Internal PENDOWN Signal enabled only when pen-down detection is active
14	18	Virtual GPIO	- [COMP2]	Internal COMP2 output (Low Battery Alarm) enabled only when COMP2 is on
15	19	Virtual GPIO	- [COMP1]	Internal COMP1 output (Dead Battery Alarm) enabled only when COMP1 is on

**Table 61 GPIO Bits and Pins**

**Note:** GPIO7 (Pin 11) has an independent RESETB function. This must be disabled using RSTDIS (Register 5Ah, bit 8) before using Pin 11 as a GPIO / PENDOWN.

The properties of the GPIOs are controlled through registers 4Ch to 52h, as shown below.

REGISTER ADDRESS	BIT	LABEL	DEFAULT	DESCRIPTION	
4Ch	<i>n</i>	GC <i>n</i>	1	<b>GPIO Pin Configuration Control</b> 0 = Output 1 = Input (GC9-15 are always inputs)	
4Eh	<i>n</i>	GP <i>n</i>	1	<b>GPIO Pin Polarity / Type</b> (Note 1)	
				Input (GC <i>n</i> = 1)	Output (GC <i>n</i> = 0)
				0 = Active low 1 = Active high	0 = CMOS output 1 = Open drain
50h	<i>n</i>	GS <i>n</i>	0	<b>GPIO Pin Sticky Control</b> 0 = Not sticky 1 = Sticky	
52h	<i>n</i>	GW <i>n</i>	0	<b>GPIO Pin Wake-up Control</b> 0 = No wake-up (no interrupts generated by GPIO) 1 = Wake-up (generate interrupts from GPIO)	
54h	<i>n</i>	GI <i>n</i>	N/A	<b>GPIO Pin Status</b> Read = Returns status of GPIO Write = Writing 0 clears sticky bits	

**Table 62 GPIO Control**

**Note 1:** Excludes GP11. For Thermal Sensor Polarity Control (GP11) see Table 40 on page 60.

The following procedure is recommended for handling interrupts:

When the controller receives an interrupt, check register 54h. For each GPIO bit in descending order of priority, check if the bit is '1'. If yes, execute corresponding interrupt routine, then write '0' to corresponding bit in 54h. If no, continue to next lower priority GPIO. After all GPIOs have been checked, check if interrupt still present or no. If yes, repeat procedure. If no, then jump back to process that ran before the interrupt.

If the system CPU cannot execute such an interrupt routine, it may be preferable to switch internal signals (such as PENDOWN) directly onto the GPIO pins. However, in this case the interrupt signals cannot be made sticky, and more GPIO pins are tied up both on the WM9713L and on the CPU.

REGISTER ADDRESS	BIT	LABEL	DEFAULT	DESCRIPTION
56h GPIO pins function select	2	GE2	1	<b>GPIO2 (Pin 45) Function Control</b> 0 = Pin 45 is not controlled by GPIO logic 1 = Pin 45 is controlled by GPIO logic <b>Note:</b> When GE2=0, set GC2=0 in 4Ch to output IRQ
	3	GE3	1	<b>GPIO3 (Pin 46) Function Control</b> 0 = Pin 46 is not controlled by GPIO logic 1 = Pin 46 is controlled by GPIO logic <b>Note:</b> When GE3=0, set GC3=0 in 4Ch to output PENDOWN
	4	GE4	1	<b>GPIO4 (Pin 47) Function Control</b> 0 = Pin 47 is not controlled by GPIO logic 1 = Pin 47 is controlled by GPIO logic <b>Note:</b> When GE4=0, set GC4=0 in 4Ch to output ADA set GC4=1 in 4Ch to input MASK
	5	GE5	1	<b>GPIO5 (Pin 48) Function Control</b> 0 = Pin 48 is not controlled by GPIO logic 1 = Pin 48 is controlled by GPIO logic <b>Note:</b> When GE5=0, set GC5=0 in 4Ch to output S/PDIF
	6	GE6	1	<b>GPIO6 (Pin 3) Function Control</b> 0 = Pin 3 is not controlled by GPIO logic 1 = Pin 3 is controlled by GPIO logic <b>Note:</b> When GE6=0, set GC6=0 in 4Ch to output ADA signal set GC6=1 in 4Ch to input MASK signal
	7	GE7	1	<b>GPIO7 (Pin 11) Function Control</b> 0 = Pin 11 is not controlled by GPIO logic 1 = Pin 11 is controlled by GPIO logic <b>Note:</b> When GE7=0, set GC7=0 in 4Ch to output PENDOWN
	8	GE8	1	<b>GPIO8 (Pin 12) Function Control</b> 0 = Pin 12 is not controlled by GPIO logic 1 = Pin 12 is controlled by GPIO logic <b>Note:</b> When GE8=0, set GC8=0 in 4Ch to output S/PDIF

**Table 63 Using GPIO Pins for Non-GPIO Functions**

**POWER MANAGEMENT**
**INTRODUCTION**

The WM9713L includes the standard power down control register defined by the AC'97 specification (register 26h). Additionally, it also allows more specific control over the individual blocks of the device through register Powerdown registers 3Ch and 3Eh. Each particular circuit block is active when both the relevant bit in register 26h AND the relevant bit in the Powerdown registers 3Ch and 3Eh are set to '0'.

Note that the default power-up condition is all OFF.

**AC97 CONTROL REGISTER**

REGISTER ADDRESS	BIT	LABEL	DEFAULT	DESCRIPTION
26h Powerdown/ Status register	14	PR6	1 (disabled)	<b>Output PGAs Disable Control</b> 1 = Disabled 0 = Enabled
	13	PR5	1 (disabled)	<b>Internal Clock Disable Control</b> 1 = Disabled 0 = Enabled
	12	PR4	1 (disabled)	<b>AC-Link Disable Control</b> 1 = Disabled 0 = Enabled
	11	PR3	1 (disabled)	<b>Analogue Disable Control</b> 1 = Disabled 0 = Enabled <b>Note:</b> This control disables VREF, input PGAs, DACs, ADCs, mixers and outputs
	10	PR2	1 (disabled)	<b>Input PGAs and Mixers Disable Control</b> 1 = Disabled 0 = Enabled
	9	PR1	1 (disabled)	<b>Stereo DAC Disable Control</b> 1 = Disabled 0 = Enabled
	8	PR0	1 (disabled)	<b>Stereo ADC and Record Mux Disable Control</b> 1 = Disabled 0 = Enabled
	3	REF	0	<b>VREF Ready (Read Only)</b> 1 = VREF ready 0 = VREF not ready
	2	ANL	0	<b>Analogue Mixers Ready (Read Only)</b> 1 = Analogue mixers ready 0 = Analogue mixers not ready
	1	DAC	0	<b>Stereo DAC Ready (Read Only)</b> 1 = DAC ready 0 = DAC not ready
0	ADC	0	<b>Stereo ADC Ready (Read Only)</b> 1 = ADC ready 0 = ADC not ready	

**Table 64 Powerdown and Status Register (Conforms to AC'97 Rev 2.2)**

**EXTENDED POWERDOWN REGISTERS**

REGISTER ADDRESS	BIT	LABEL	DEFAULT	DESCRIPTION
3Ch Powerdown (1)	15	PADCPD	1 (disabled)	<b>Touchpanel / AUXADC Disable Control</b> 1 = Disabled 0 = Enabled
	14	VMID1M	1 (disabled)	<b>1Meg VMID String Disable Control</b> 1 = Disabled 0 = Enabled
	13	TSHUT	1 (disabled)	<b>Thermal Shutdown Disable Control</b> 1 = Disabled 0 = Enabled
	12	VXDAC	1 (disabled)	<b>Voice DAC Disable Control</b> 1 = Disabled 0 = Enabled
	11	AUXDAC	1 (disabled)	<b>AUXDAC Disable Control</b> 1 = Disabled 0 = Enabled
	10	VREF	1 (disabled)	<b>VREF Disable Control</b> 1 = Disabled 0 = Enabled
	9	PLL	1 (disabled)	<b>PLL Disable Control</b> 1 = Disabled 0 = Enabled
	7	DACL	1 (disabled)	<b>Left DAC Disable Control</b> (see Note 1) 1 = Disabled 0 = Enabled
	6	DACR	1 (disabled)	<b>Right DAC Disable Control</b> (see Note 1) 1 = Disabled 0 = Enabled
	5	ADCL	1 (disabled)	<b>Left ADC Disable Control</b> 1 = Disabled 0 = Enabled
	4	ADCR	1 (disabled)	<b>Right ADC Disable Control</b> 1 = Disabled 0 = Enabled
	3	HPLX	1 (disabled)	<b>Left Headphone Mixer Disable Control</b> 1 = Disabled 0 = Enabled
	2	HPRX	1 (disabled)	<b>Right Headphone Mixer Disable Control</b> 1 = Disabled 0 = Enabled
	1	SPKX	1 (disabled)	<b>Speaker Mixer Disable Control</b> 1 = Disabled 0 = Enabled
0	MX	1 (disabled)	<b>Mono Mixer Disable Control</b> 1 = Disabled 0 = Enabled	
<p><b>Note:</b> When analogue inputs or outputs are disabled, they are internally connected to VREF through a large resistor (VREF=AVDD/2 except when VREF and VMID1M are both OFF). This maintains the potential at that node and helps to eliminate pops when the pins are re-enabled.</p>				

**Table 65 Extended Power Down Register (1) (Additional to AC'97 Rev 2.2)**

**Note:** When disabling a PGA, always ensure that it is muted first.

REGISTER ADDRESS	BIT	LABEL	DEFAULT	DESCRIPTION
3Eh Powerdown (2)	15	MCD	1 (disabled)	<b>Microphone Current Detect Disable Control</b> 1 = Disabled 0 = Enabled
	14	MICBIAS	1 (disabled)	<b>Microphone Bias Disable Control</b> (see Note 1) 1 = Disabled 0 = Enabled
	13	MONO	1 (disabled)	<b>MONO PGA Disable Control</b> (see Note 1) 1 = Disabled 0 = Enabled
	12	OUT4	1 (disabled)	<b>OUT4 PGA Disable Control</b> (see Note 1) 1 = Disabled 0 = Enabled
	11	OUT3	1 (disabled)	<b>OUT3 PGA Disable Control</b> (see Note 1) 1 = Disabled 0 = Enabled
	10	HPL	1 (disabled)	<b>HPL PGA Disable Control</b> (see Note 1) 1 = Disabled 0 = Enabled
	9	HPR	1 (disabled)	<b>HPR PGA Disable Control</b> (see Note 1) 1 = Disabled 0 = Enabled
	8	SPKL	1 (disabled)	<b>SPKL PGA Disable Control</b> (see Note 1) 1 = Disabled 0 = Enabled
	7	SPKR	1 (disabled)	<b>SPKR PGA Disable Control</b> (see Note 1) 1 = Disabled 0 = Enabled
	6	LL	1 (disabled)	<b>LINEL PGA Disable Control</b> (see Note 1) 1 = Disabled 0 = Enabled
	5	LR	1 (disabled)	<b>LINER PGA Disable Control</b> (see Note 1) 1 = Disabled 0 = Enabled
	4	MOIN	1 (disabled)	<b>MONOIN PGA Disable Control</b> (see Note 1) 1 = Disabled 0 = Enabled
	3	MA	1 (disabled)	<b>MICA PGA Disable Control</b> (see Note 1) 1 = Disabled 0 = Enabled
	2	MB	1 (disabled)	<b>MICB PGA Disable Control</b> (see Note 1) 1 = Disabled 0 = Enabled
	1	MPA	1 (disabled)	<b>Mic Pre-amp MPA Disable Control</b> 1 = Disabled 0 = Enabled
0	MPB	1 (disabled)	<b>Mic Pre-amp MPB Disable Control</b> 1 = Disabled 0 = Enabled	

**Note:** When analogue inputs or outputs are disabled, they are internally connected to VREF through a large resistor (VREF=AVDD/2 except when VREF and VMID1M are both OFF). This maintains the potential at that node and helps to eliminate pops when the pins are re-enabled.

**Table 66 Extended Power Down Register (2) (Additional to AC'97 Rev 2.2)**

**Note:** When disabling a PGA, always ensure that it is muted first.



## ADDITIONAL POWER MANAGEMENT

Mixer output inverters: see “Mixer Output Inverters” section. Inverters are disabled by default.

Touchpanel Interface: see “Controlling the Touchpanel Digitiser”. The touchpanel digitiser is OFF by default.

### SLEEP MODE

Whenever the PR4 bit (reg. 26h) is set, the AC-Link interface is disabled, and the WM9713L is in sleep mode. There is in fact a very large number of different sleep modes, depending on the other control bits. For example, the low-power standby mode described below is a sleep mode. It is desirable to use sleep modes whenever possible, as this will save power. The following functions do not require a clock and can therefore operate in sleep mode:

- Analogue-to-analogue audio (DACs and ADCs unused), e.g. phone call mode
- Pen-down detection
- GPIO and interrupts
- Battery alarm / analogue comparators

The WM9713L can awake from sleep mode as a result of

- A warm reset on the AC-Link (according to the AC'97 specification)
- A signal on a GPIO pin (if the pin is configured as an input, with wake-up enabled – see “GPIO and Interrupt Control” section)
- A virtual GPIO event such as pen-down, battery alarm, etc. (see “GPIO and Interrupt Control” section)

### LOW-POWER STANDBY MODE

If all the bits in registers 26h, 3Ch and 3Eh are set except VMID1M (register 3Ch, bit 14), then the WM9713L is in low-power standby mode and consumes very little current. A 1M $\Omega$  resistor string remains connected across AVDD to generate VREF. This is necessary if the on-chip analogue comparators are used (see “Battery Alarm and Analogue Comparators” section), and helps shorten the delay between wake-up and playback readiness. If VREF is not required, the 1M $\Omega$  resistor string can be disabled by setting the VMID1M bit, reducing current consumption further.

### SAVING POWER AT LOW SUPPLY VOLTAGES

The analogue supplies to the WM9713L can run from 1.8V to 3.6V. By default, all analogue circuitry on the IC is optimized to run at 3.3V. This set-up is also good for all other supply voltages down to 1.8V. However, at lower voltages, it is possible to save power by reducing the internal bias currents used in the analogue circuitry. This is controlled as shown below.

REGISTER ADDRESS	BIT	LABEL	DEFAULT	DESCRIPTION
5Ch	6:5	VBIAS	00	<b>Analogue Bias Optimization Control</b> 0X = Default bias current, optimized for 3.3V 10 = Low bias current, optimized for 2.5V 11 = Lowest bias current, optimized for 1.8V

**Table 67 Analogue Bias Selection**

---

**POWER-ON RESET (POR)**

The WM9713L has an internal power on reset (PORB) which ensures that a reset is applied to all registers until a supply threshold has been exceeded. The POR circuitry monitors the voltage for both AVDD and DCVDD and will release the internal reset signal once these supplies are both nominally greater than 1.36V. The internal reset signal is an AND of the PORB and RESETB input signal.

It is recommended that for operation of the WM9713L, all device power rails should be stable before configuring the device for operation.

**REGISTER MAP**

Reg	Name	15	14	13	12	11	10	9	8	7	6	5	4	3	2	1	0	Default		
00h	Reset	0	SE4	SE3	SE2	SE1	SE0	ID9	ID8	ID7	ID6	ID5	ID4	ID3	ID2	ID1	ID0	6174h		
02h	Speaker Volume	MUL	ZCL	SPKLVOL						MUR	ZCR	SPKRVOL						8080h		
04h	Headphone Volume	MUL	ZCL	HPLVOL						MUR	ZCR	HPRVOL						8080h		
06h	OUT3/4 Volume	MU4	ZC4	OUT4VOL						MU3	ZC3	OUT3VOL						8080h		
08h	MONO Vol & MONOIN PGA Vol / Routing	M2H	M2S	0	MONOINVOL						MU	ZC	MONOVOL						C880h	
0Ah	LINELN PGA Volume / Routing	L2H	L2S	L2M	LINELVOL						0	0	0	LINERVOL						E808h
0Ch	DAC PGA Volume / Routing	D2H	D2S	D2M	DACLVOL						0	0	0	DACRVOL						E808h
0Eh	MIC PGA Volume	0	0	0	MICAVAL						0	0	0	MICBVOL						0808h
10h	MIC Routing	0	0	0	0	0	0	0	0	MA2M	MB2M	MIC2M BST	MIC2H	MIC2H/VOL				00DAh		
12h	Record PGA Volume	RMU	GRL	(Extended) RECVOLL						ZC	GRR	(Extended) RECVOLR						8000h		
14h	Record Routing / Mux Select	R2H		R2H/VOL				R2M	R2M BST	0	REC BST	RECSL			RECSR			D600h		
16h	PCBEEP Volume / Routing	B2H	B2H/VOL			B2S	B2SVOL			B2M	B2M/VOL			0	0	0	0	AAA0h		
18h	VxDAC Volume / Routing	V2H	V2H/VOL			V2S	V2SVOL			V2M	V2M/VOL			0	0	0	0	AAA0h		
1Ah	AUXDAC Volume / Routing	A2H	A2H/VOL			A2S	A2SVOL			A2M	A2M/VOL			0	0	0	0	AAA0h		
1Ch	Output PGA Mux Select	MONO			SPKL			SPKR			HPL		HPR		OUT3		OUT4		0000h	
1Eh	DAC 3D Control & INV Mux Select	INVA			INVB			0	0	0	0	3DLC	3DUC	3DDEPTH				0000h		
20h	DAC Tone Control	BB	0	0	BC	BASS				0	DAT	0	TC	TRBL				0F0Fh		
22h	MIC Input Select & Bias / Detect Ctrl	MICMPSEL		MPASEL		MPABST		MPBBST		MBOP 2EN	MBOP1 EN	MBV0 L	MCDTHR		MCDSCTHR			0040h		
24h	Output Volume Mapping (Jack Insert)	0	0	0	0	0	0	0	0	0	0	0	JEN	DCDRVSEL		EARSPKSEL			0000h	
26h	Powerdown Ctrl/Stat	0	PR6	PR5	PR4	PR3	PR2	PR1	PR0	0	0	0	0	REF	ANL	DAC	ADC	7F00h		
28h	Extended Audio ID	ID1	ID0	0	0	REV1	REV0	AMAP	LDAC	SDAC	CDAC	0	0	VRM	SPDIF	DRA	VRA	0405h		
2Ah	Ext'd Audio Stat/Ctrl	0	0	0	0	0	SPCV	0	0	0	0	SPSA		0	SEN	0	VRA	0410h		
2Ch	Audio DACs Sample Rate	DACSR (Audio DACs Sample Rate)																BB80h		
2Eh	AUXDAC Sample Rate	AUXDACSR (Auxiliary DAC Sample Rate)																BB80h		
32h	Audio ADCs Sample Rate	ADCSTR (Audio ADCs Sample Rate)																BB80h		
36h	PCM codec control	CTRL	MODE		0	DIV			VDAC OSR	CP	FSP	SEL		WL		FMT			4523h	
3Ah	SPDIF control	V	DRS	SPSR		L	CC (Category Code)						PRE	COPY	AUD IB	PRO	2000h			
3Ch	Powerdown (1)	PADCP D	VMID M	TSHUT C	VXDAC C	AUXD AC	VREF	PLL	1	DACL	DACR	ADCL	ADCR	HPLX	HPRX	SPKX	MX	FDFDh		
3Eh	Powerdown (2)	MCD	MIC BIAS	MONO	OUT4	OUT3	HPL	HPR	SPKL	SPKR	LL	LR	MOIN	MA	MB	MPA	MPB	FFFFh		
40h	General Purpose	0	0	3DE	0	0	0	0	0	LB	0	0	0	0	0	0	0	0000h		
42h	Fast Power-Up Control	0	0	0	0	0	0	0	0	0	MONO	SPKL	SPKR	HPL	HPR	OUT3	OUT4	0000h		
44h	MCLK / PLL Control	0	SEXT[6:4]			SEXT[3:0]			CLKSR C	0	PENDIV		CLKBX 2	CLKAX 2	CLKMU X	0080h				
46h	MCLK / PLL Control	N[3:0]			LF	SDM	DIVSEL	DIVCTL	0	PGADDR			PGDATA						0000h	
4Ch	GPIO Pin Configuration	1	1	1	1	1	1	1	GC8	GC7	GC6	GC5	GC4	GC3	GC2	GC1	0	FFFEh		
4Eh	GPIO Pin Polarity / Type	C1P	C2P	PP	AP	TP	SP	MP	GP8	GP7	GP6	GP5	GP4	GP3	GP2	GP1	1	FFFFh		
50h	GPIO Pin Sticky	C1S	C2S	PS	AS	TS	SS	MS	GS8	GS7	GS6	GS5	GS4	GS3	GS2	GS1	0	0000h		
52h	GPIO Pin Wake-Up	C1W	C2W	PW	AW	TW	SW	MW	GW8	GW7	GW6	GW5	GW4	GW3	GW2	GW1	0	0000h		
54h	GPIO Pin Status	C1I	C2I	PI	AI	TI	SI	MI	GI8	GI7	GI6	GI5	GI4	GI3	GI2	GI1	0	GPIO pins		
56h	GPIO Pin Sharing	1	1	1	1	1	1	1	GE8	GE7	GE6	GE5	GE4	GE3	GE2	1	0	FFFEh		
58h	GPIO Pull UP/DOWN Ctrl	PU8	PU7	PU6	PU5	PU4	PU3	PU2	PU1	PD8	PD7	PD6	PD5	PD4	PD3	PD2	PD1	4000h		
5Ah	Additional Functions (1)	COM P2DEL			0	0	0	0	RSTDIS	JSEL		HPM ODE		Die Revision		WAKEE N	IRQ INV	0000h		
5Ch	Additional Functions (2)	AMUTE	C2REF	C2SRC	C1REF	C1SRC	0	AMEN	VBIAS		ADCO		HPF	0	ASS			0000h		
60h	ALC Control	ALCL (target level)				HLD (hold time)				DCY (decay time)				ATK (attack time)				B032h		
62h	ALC / Noise Gate Control	ALCSEL			MAXGAIN			ZCTIMEOUT	0	NGAT	0	NGG	NGTH (threshold)						3E00h	
64h	AUXDAC input control	XSLE	AUXDACSLT			AUXDAC VAL													0000h	
74h	Digitiser Reg 1	0	0	0	0	0	0	POLL	CTC	ADCSEL						COO	0000h			
76h	Digitiser Reg 2	0	0	0	0	0	0	CR		DEL				SLEN	SLT			0006h		
78h	Digitiser Reg 3	PRP		RPR	45W	PDEN	PDPOL	WAIT	PIL	MSK			RPU				000th			
7Ah	Digitiser Read Back	PNDN	ADCSTR			ADCD (TOUCHPANEL ADC Y DATA)													0000h	
7Ch	Vendor ID1	ASCII character "W"								ASCII character "M"								574Dh		
7Eh	Vendor ID2	ASCII character "L"								Device Identifier								4C13h		

**Table 68 WM9713L Register Map**

**Note:** Register 46h provides access to a sub-page address system to set the S<sub>PLL</sub>[6:0] and K[21:0] register bits (see Table 6).

**REGISTER BITS BY ADDRESS**

REGISTER ADDRESS	BIT	LABEL	DEFAULT	DESCRIPTION	REFER TO
00h read-only	14:10	SE [4:0]	11000	Indicates a CODEC from Cirrus Logic	Intel's AC'97 Component Specification, Revision 2.2, page 50
	9:6	ID9:6	0101	Indicates 18 bits resolution for ADCs and DACs	
	5	ID5	1	Indicates that the WM9713L supports bass boost	
	4	ID4	1	Indicates that the WM9713L has a headphone output	
	3	ID3	0	Indicates that the WM9713L does not support simulated stereo	
	2	ID2	1	Indicates that the WM9713L supports bass and treble control	
	1	ID1	0	Indicates that the WM9713L does not support modem functions	
	0	ID0	0	Indicates that the WM9713L does not have a dedicated microphone ADC	

**Register 00h** is a read-only register. Writing any value to this register resets all registers to their default, but does not change the contents of reg. 00h. Reading the register reveals information about the codec to the driver, as required by the AC'97 Specification, Revision 2.2

REGISTER ADDRESS	BIT	LABEL	DEFAULT	DESCRIPTION	REFER TO
02h	15	MUL	1 (mute)	<b>SPKL Mute Control</b> 1 = Mute 0 = No mute	Analogue Audio Outputs
	14	ZCL	0 (disabled)	<b>SPKL Zero Cross Control</b> 1 = Zero cross enabled 0 = Zero cross disabled	
	13:8	SPKLVOL	000000 (0dB)	<b>SPKL Volume Control</b> 000000 = 0dB (maximum) ... (1.5dB steps) 011111 = -46.5dB 1xxxxx = -46.5dB	
	7	MUR	1 (mute)	<b>SPKR Mute Control</b> 1 = Mute 0 = No mute	
	6	ZCR	0 (disabled)	<b>SPKR Zero Cross Control</b> 1 = Zero cross enabled 0 = Zero cross disabled	
	5:0	SPKRVOL	000000 (0dB)	<b>SPKR Volume Control</b> 000000 = 0dB (maximum) ... (1.5dB steps) 011111 = -46.5dB 1xxxxx = -46.5dB	

**Register 02h** controls the output pins SPKL and SPKR.

REGISTER ADDRESS	BIT	LABEL	DEFAULT	DESCRIPTION	REFER TO
04h	15	MUL	1 (mute)	<b>HPL Mute Control</b> 1 = Mute 0 = No mute	Analogue Audio Outputs
	14	ZCL	0 (disabled)	<b>HPL Zero Cross Control</b> 1 = Zero cross enabled 0 = Zero cross disabled	
	13:8	HPL VOL	000000 (0dB)	<b>HPL Volume Control</b> 000000 = 0dB (maximum) ... (1.5dB steps) 011111 = -46.5dB 1xxxxx = -46.5dB	
	7	MUR	1 (mute)	<b>HPR Mute Control</b> 1 = Mute 0 = No mute	
	6	ZCR	0 (disabled)	<b>HPR Zero Cross Control</b> 1 = Zero cross enabled 0 = Zero cross disabled	
	5:0	HPR VOL	000000 (0dB)	<b>HPR Volume Control</b> 000000 = 0dB (maximum) ... (1.5dB steps) 011111 = -46.5dB 1xxxxx = -46.5dB	

**Register 04h** controls the headphone output pins, HPL and HPR.

REGISTER ADDRESS	BIT	LABEL	DEFAULT	DESCRIPTION	REFER TO
06h	15	MU4	1 (mute)	<b>OUT4 Mute Control</b> 1 = Mute 0 = No mute	Analogue Audio Outputs
	14	ZC4	0 (disabled)	<b>OUT4 Zero Cross Control</b> 1 = Zero cross enabled 0 = Zero cross disabled	
	13:8	OUT4VOL	000000 (0dB)	<b>OUT4 Volume Control</b> 000000 = 0dB (maximum) ... (1.5dB steps) 011111 = -46.5dB 1xxxxx = -46.5dB	
	7	MU3	1 (mute)	<b>OUT3 Mute Control</b> 1 = Mute 0 = No mute	
	6	ZC3	0 (disabled)	<b>OUT3 Zero Cross Control</b> 1 = Zero cross enabled 0 = Zero cross disabled	
	5:0	OUT3VOL	000000 (0dB)	<b>OUT3 Volume Control</b> 000000 = 0dB (maximum) ... (1.5dB steps) 011111 = -46.5dB 1xxxxx = -46.5dB	

**Register 06h** controls the analogue output pins OUT3 and OUT4.

REGISTER ADDRESS	BIT	LABEL	DEFAULT	DESCRIPTION	REFER TO
08h	15	M2H	1 (mute)	<b>MONOIN to Headphone Mixer Mute Control</b> 1 = Mute 0 = No mute	Analogue Inputs; Analogue Audio Outputs
	14	M2S	1 (mute)	<b>MONOIN to Speaker Mixer Mute Control</b> 1 = Mute 0 = No mute	
	12:8	MONOINVOL	01000 (0dB)	<b>MONOIN to Mixers Volume Control</b> 00000 = +12dB ... (1.5dB steps) 11111 = -34.5dB	
	7	MU	1 (mute)	<b>MONO Mute Control</b> 1 = Mute 0 = No mute	
	6	ZC	0 (disabled)	<b>MONO Zero Cross Control</b> 1 = Zero cross enabled 0 = Zero cross disabled	
	5:0	MONOVOL	000000 (0dB)	<b>MONO Volume Control</b> 000000 = 0dB (maximum) ... (1.5dB steps) 011111 = -46.5dB 1xxxxx = -46.5dB	

**Register 08h** controls the analogue output pin MONO and the analogue input pin MONOIN.

REGISTER ADDRESS	BIT	LABEL	DEFAULT	DESCRIPTION	REFER TO
0Ah	15	L2H	1 (mute)	<b>LINE to Headphone Mixer Mute Control</b> 1 = Mute 0 = No mute	Analogue Inputs, Line Input
	14	L2S	1 (mute)	<b>LINE to Speaker Mixer Mute Control</b> 1 = Mute 0 = No mute	
	13	L2M	1 (mute)	<b>LINE to Mono Mixer Mute Control</b> 1 = Mute 0 = No mute	
	12:8	LINELVOL	01000 (0dB)	<b>LINEL to Mixers Volume Control</b> 00000 = +12dB ... (1.5dB steps) 11111 = -34.5dB	
	4:0	LINERVOL	01000 (0dB)	<b>LINER to Mixers Volume Control</b> 00000 = +12dB ... (1.5dB steps) 11111 = -34.5dB	

**Register 0Ah** controls the analogue input pins LINEL and LINER.

REGISTER ADDRESS	BIT	LABEL	DEFAULT	DESCRIPTION	REFER TO
0Ch	15	D2H	1 (mute)	<b>DAC to Headphone Mixer Mute Control</b> 1 = Mute 0 = No mute	Audio DACs
	14	D2S	1 (mute)	<b>DAC to Speaker Mixer Mute Control</b> 1 = Mute 0 = No mute	
	13	D2M	1 (mute)	<b>DAC to Mono Mixer Mute Control</b> 1 = Mute 0 = No mute	
	12:8	DACLVOL	01000 (0dB)	<b>Left DAC to Mixers Volume Control</b> 00000 = +12dB ... (1.5dB steps) 11111 = -34.5dB	
	4:0	DACRVOL	01000 (0dB)	<b>Right DAC to Mixers Volume Control</b> 00000 = +12dB ... (1.5dB steps) 11111 = -34.5dB	

**Register 0Ch** controls the audio DACs (but not AUXDAC).

REGISTER ADDRESS	BIT	LABEL	DEFAULT	DESCRIPTION	REFER TO
0Eh	12:8	MICAVOL	01000 (0dB)	<b>MICA PGA Volume Control</b> 00000 = +12dB ... (1.5dB steps) 11111 = -34.5dB	Analogue Inputs, Microphone Input
	4:0	MICBVOL	01000 (0dB)	<b>MICB PGA Volume Control</b> 00000 = +12dB ... (1.5dB steps) 11111 = -34.5dB	

**Register 0Eh** controls the microphone PGA volume (MICA and MICB).

REGISTER ADDRESS	BIT	LABEL	DEFAULT	DESCRIPTION	REFER TO
10h	7	MA2M	1 (mute)	<b>MICA to Mono Mixer Mute Control</b> 1 = Mute 0 = No mute	Analogue Inputs, Microphone Input
	6	MB2M	1 (mute)	<b>MICB to Mono Mixer Mute Control</b> 1 = Mute 0 = No mute	
	5	MIC2MBST	0 (0dB)	<b>MIC to Mono Mixer Boost Control</b> 1 = +20dB 0 = 0dB	
	4:3	MIC2H	11 (mute)	<b>MIC to Headphone Mixer Path Control</b> 00 = stereo 01 = MICA only 10 = MICB only 11 = mute MICA and MICB	
	2:0	MIC2HVOL	010 (0dB)	<b>MIC to Headphone Mixer Path Volume Control</b> 000 = +6dB ... (+3dB steps) 111 = -15dB	

**Register 10h** controls the microphone routing (MICA and MICB).

REGISTER ADDRESS	BIT	LABEL	DEFAULT	DESCRIPTION	REFER TO	
12h	15	RMU	1 (mute)	<b>Audio ADC Input Mute Control</b> 1 = Mute 0 = No mute	Audio ADC, Record Gain	
	14	GRL	0 (standard)	<b>Left ADC PGA Gain Range Control</b> 1 = Extended 0 = Standard		
	13:8	RECVOLL	000000 (0dB)	<b>Left ADC Recording Volume Control</b>		
				Standard (GRL=0)		Extended (GRL=1)
				XX0000 = 0dB ... (1.5dB steps) XX1111 = +22.5dB		000000 = -17.25dB ... (0.75dB steps) XX1111 = +30dB
	7	ZC	0 (disabled)	<b>ADC PGA Zero Cross Control</b> 1 = Zero cross enabled 0 = Zero cross disabled		
	6	GRR	0 (standard)	<b>Right ADC PGA Gain Range Control</b> 1 = Extended 0 = Standard		
5:0	RECVOLR	000000 (0dB)	<b>Right ADC Recording Volume Control</b>			
			Standard (GRR=0)	Extended (GRR=1)		
			XX0000 = 0dB ... (1.5dB steps) XX1111 = +22.5dB	000000 = -17.25dB ... (0.75dB steps) XX1111 = +30dB		

**Register 12h** controls the record volume.



REGISTER ADDRESS	BIT	LABEL	DEFAULT	DESCRIPTION	REFER TO
14h	15:14	R2H	11 (mute)	<b>Record Mux to Headphone Mixer Path Control</b> 00 = stereo 01 = left record mux only 10 = right rec mux only 11=mute left and right	Audio ADC, Record Selector
	13:11	R2HVOL	010 (0dB)	<b>Record Mux to Headphone Mixer Path Volume Control</b> 000 = +6dB ... (+3dB steps) 111 = -15dB	
	10:9	R2M	11 (mute)	<b>Record Mux to Mono Mixer Path Control</b> 00 = stereo 01 = left record mux only 10 = right record mux only 11 = mute left and right	
	8	R2MBST	0 (0dB)	<b>Record Mux to Headphone Mixer Boost Control</b> 1 = +20dB 0 = 0dB	
	6	RECBST	0 (0dB)	<b>ADC Record Boost Control</b> 1 = +20dB 0 = 0dB	
	5:3	RECSL	000 (mic)	<b>Left Record Mux Source Control</b> 000 = MICA (pre-PGA) 001 = MICB (pre-PGA) 010 = LINEL (pre-PGA) 011 = MONOIN (pre-PGA) 100 = HPMIXL 101 = SPKMIC 110 = MONOMIX 111 = Reserved	
	2:0	RECSR	000 (mic)	<b>Right Record Mux Source Control</b> 000 = MICA (pre-PGA) 001 = MICB (pre-PGA) 010 = LINEL (pre-PGA) 011 = MONOIN (pre-PGA) 100 = HPMIXL 101 = SPKMIC 110 = MONOMIX 111 = Reserved	

**Register 14h** controls the record selector and the ADC to mono mixer path.

REGISTER ADDRESS	BIT	LABEL	DEFAULT	DESCRIPTION	REFER TO
16h	15	B2H	1 (mute)	<b>PCBEEP to Headphone Mixer Mute Control</b> 1 = Mute 0 = No mute	Analogue Inputs, PCBEEP Input
	14:12	B2HVOL	010 (0dB)	<b>PCBEEP to Headphone Mixer Volume Control</b> 000 = +6dB ... (+3dB steps) 111 = -15dB	
	11	B2S	1 (mute)	<b>PCBEEP to Speaker Mixer Mute Control</b> 1 = Mute 0 = No mute	
	10:8	B2SVOL	010 (0dB)	<b>PCBEEP to Speaker Mixer Volume Control</b> 000 = +6dB ... (+3dB steps) 111 = -15dB	
	7	B2M	1 (mute)	<b>PCBEEP to Mono Mixer Mute Control</b> 1 = Mute 0 = No mute	
	6:4	B2MVOL	010 (0dB)	<b>PCBEEP to Mono Mixer Volume Control</b> 000 = +6dB ... (+3dB steps) 111 = -15dB	

**Register 16h** controls the analogue input pin PCBEEP.

REGISTER ADDRESS	BIT	LABEL	DEFAULT	DESCRIPTION	REFER TO
18h	15	V2H	1 (mute)	<b>VXDAC to Headphone Mixer Mute Control</b> 1 = Mute 0 = No mute	Audio Mixers, Side Tone Control
	14:12	V2HVOL	010 (0dB)	<b>VXDAC to Headphone Mixer Volume Control</b> 000 = +6dB ... (+3dB steps) 111 = -15dB	
	11	V2S	1 (mute)	<b>VXDAC to Speaker Mixer Mute Control</b> 1 = Mute 0 = No mute	
	10:8	V2SVOL	010 (0dB)	<b>VXDAC to Speaker Mixer Volume Control</b> 000 = +6dB ... (+3dB steps) 111 = -15dB	
	7	V2M	1 (mute)	<b>VXDAC to Mono Mixer Mute Control</b> 1 = Mute 0 = No mute	
	6:4	V2MVOL	010 (0dB)	<b>VXDAC to Mono Mixer Volume Control</b> 000 = +6dB ... (+3dB steps) 111 = -15dB	

**Register 18h** controls the output signal of the Voice DAC.

REGISTER ADDRESS	BIT	LABEL	DEFAULT	DESCRIPTION	REFER TO
1Ah	15	A2H	1 (mute)	<b>AUXDAC to Headphone Mixer Mute Control</b> 1 = Mute 0 = No mute	Auxiliary DAC
	14:12	A2HVOL	010 (0dB)	<b>AUXDAC to Headphone Mixer Volume Control</b> 000 = +6dB ... (+3dB steps) 111 = -15dB	
	11	A2S	1 (mute)	<b>AUXDAC to Speaker Mixer Mute Control</b> 1 = Mute 0 = No mute	
	10:8	A2SVOL	010 (0dB)	<b>AUXDAC to Speaker Mixer Volume Control</b> 000 = +6dB ... (+3dB steps) 111 = -15dB	
	7	A2M	1 (mute)	<b>AUXDAC to Mono Mixer Mute Control</b> 1 = Mute 0 = No mute	
	6:4	A2MVOL	010 (0dB)	<b>AUXDAC to Mono Mixer Volume Control</b> 000 = +6dB ... (+3dB steps) 111 = -15dB	

**Register 1Ah** controls the output signal of the auxiliary DAC.

REGISTER ADDRESS	BIT	LABEL	DEFAULT	DESCRIPTION	REFER TO
1Ch	15:14	MONO	00 (VMID)	<b>MONO Source Control</b> 00 = VMID 01 = No input (tri-stated if MONO is disabled) 10 = MONOMIX 11 = INV1	Analogue Audio Outputs
	13:11	SPKL	000 (VMID)	<b>SPKL Source Control</b> 000 = VMID 001 = No input (tri-stated if SPKL is disabled) 010 = HPMIXL 011 = SPKMIX 100 = INV1 All other values are reserved	
	10:8	SPKR	000 (VMID)	<b>SPKR Source Control</b> 000 = VMID 001 = No input (tri-stated if SPKR is disabled) 010 = HPMIXR 011 = SPKMIX 100 = INV2 All other values are reserved	
	7:6	HPL	00 (VMID)	<b>HPL Source Control</b> 00 = VMID 01 = No input (tri-stated if HPL is disabled) 10 = HPMIXL 11 = Reserved	
	5:4	HPR	00 (VMID)	<b>HPR Source Control</b> 00 = VMID 01 = No input (tri-stated if HPR is disabled) 10 = HPMIXR 11 = Reserved	
	3:2	OUT3	00 (VMID)	<b>OUT3 Source Control</b> 00 = VMID 01 = No input (tri-stated if OUT3 is disabled) 10 = INV1 11 = Reserved	
	1:0	OUT4	00 (VMID)	<b>OUT4 Source Control</b> 00 = VMID 01 = No input (tri-stated if OUT4 is disabled) 10 = INV2 11 = Reserved	

Register 1Ch controls the inputs to the output PGAs.

REGISTER ADDRESS	BIT	LABEL	DEFAULT	DESCRIPTION	REFER TO
1Eh	15:13	INV1	000 (no input)	<b>INV1 Source Select</b> 000 = No input (tri-stated) 001 = MONOMIX 010 = SPKMIX 011 = HPMIXL 100 = HPMIXR 101 = HPMIXMONO 110 = Reserved 111 = VMID	Audio Mixers, Mixer Output Inverters
	12:10	INV2	000 (no input)	<b>INV2 Source Select</b> 000 = No input (tri-stated) 001 = MONOMIX 010 = SPKMIX 011 = HPMIXL 100 = HPMIXR 101 = HPMIXMONO 110 = Reserved 111 = VMID	
	5	3DLC	0 (low)	<b>3D Lower Cut-off Frequency Control</b> 1 = High (500Hz at 48kHz sampling) 0 = Low (200Hz at 48kHz sampling)	Audio DAC, Stereo DAC, 3D Stereo Enhancement
	4	3DUC	0 (high)	<b>3D Upper Cut-off Frequency Control</b> 1 = Low (1.5kHz at 48kHz sampling) 0 = High (2.2kHz at 48kHz sampling)	
	3:0	3DDEPTH	0000 (0%)	<b>3D Depth Control</b> 0000 = 0% ... (6.67% steps) 1111 = 100%	

**Register 1Eh** controls 3D stereo enhancement for the audio DACs and input muxes to the output inverters INV1 and INV2.

REGISTER ADDRESS	BIT	LABEL	DEFAULT	DESCRIPTION	REFER TO	
20h	15	BB	0 (linear)	<b>Bass Mode Control</b> 0 = Linear bass control 1 = Adaptive bass boost	Audio DACs, Tone Control / Bass Boost	
	12	BC	0 (low)	<b>Bass Cut-off Frequency Control</b> 0 = Low (130Hz at 48kHz sampling) 1 = High (200Hz at 48kHz sampling)		
	11:8	BASS	1111 (off)	<b>Bass Intensity Control</b>		
				BB=0		BB=1
				0000 = +9dB 0001 = +9dB ... (1.5dB steps) 0111 = 0dB ... (1.5dB steps) 1011-1110 = -6dB 1111 = Bypass (off)		0000 = 15dB ... (1dB steps) 1110 = 1dB 1111 = Bypass (off)
	6	DAT	0 (0dB)	<b>Pre-DAC Attenuation Control</b> 0 = 0dB 1 = -6dB		
	4	TC	0 (high)	<b>Treble Cut-off Frequency Control</b> 0 = High (8kHz at 48kHz sampling) 1 = Low (4kHz at 48kHz sampling)		
3:0	TRBL	1111 (off)	<b>Treble Intensity Control</b> 0000 = +9dB 0001 = +9dB ... (1.5dB steps) 0111 = 0dB ... (1.5dB steps) 1011-1110 = -6dB 1111 = Bypass (off)			

**Register 20h** controls the bass and treble response of the left and right audio DAC (but not AUXDAC).

REGISTER ADDRESS	BIT	LABEL	DEFAULT	DESCRIPTION	REFER TO
22h	15:14	MICCOMP SEL	00 (mics)	<b>MIC2A/MIC2B Pin Function Control</b> 00 = MIC2A and MIC2B are microphone inputs 01 = MIC2A microphone input only 10 = MIC2B microphone input only 11 = MIC2A and MIC2B are not microphone inputs	Analogue Inputs, Microphone Input
	13:12	MPASEL	00 (MIC1)	<b>MPA Pre-Amp Source Control</b> 00 = MIC1 01 = MIC2A 10 = MIC2B 11 = Reserved	
	11:10	MPABST	00 (+12dB)	<b>MPA Pre-Amp Volume Control</b> 00 = +12dB 01 = +18dB 10 = +24dB 11 = +30dB	
	9:8	MPBBST	00 (+12dB)	<b>MPB Pre-Amp Volume Control</b> 00 = +12dB 01 = +18dB 10 = +24dB 11 = +30dB	
	7	MBOP2EN	0 (disabled)	<b>MICBIAS Output 2 Enable Control</b> 1 = Enable MICBIAS output on GPIO8 (pin 12) 0 = Disable MICBIAS output on GPIO8 (pin 12)	
	6	MBOP1EN	1 (enabled)	<b>MICBIAS Output 1 Enable Control</b> 1 = Enable MICBIAS output on MICBIAS (pin 28) 0 = Disable MICBIAS output on MICBIAS (pin 28)	
	5	MBVOL	0 (0.9xAVDD)	<b>MICBIAS Output Voltage Control</b> 1 = 0.75 x AVDD 0 = 0.9 x AVDD	
	4:2	MCDTHR	000 (100uA)	<b>Mic Detect Threshold Control</b> 000 = 100µA ... (100µA steps) 111 = 800µA	
	1:0	MCDSCTHR	00 (600uA)	<b>Mic Detect Short Circuit Threshold Control</b> 00 = 600µA 01 = 1200uA 10 = 1800uA 11 = 2400µA	

**Register 22h** controls the microphone input configuration and microphone bias and detect configuration.

REGISTER ADDRESS	BIT	LABEL	DEFAULT	DESCRIPTION	REFER TO
24h	4	JIEN	0 (disabled)	<b>Jack Insert Control</b> 0 = Disable jack insert circuitry 1 = Enable jack insert circuitry	Jack Insertion and Auto-Switching
	3:2	DCAVSEL	00 (AC)	<b>Jack Insert Headphone DC Reference Control</b> 00 = AC coupled headphones, no DC source 01 = OUT3 is mid-rail output buffer 10 = Reserved 11 = OUT4 is mid-rail output buffer	
	1:0	EARSPEL	00 (none)	<b>Ear Speaker Source Control</b> 00 = No ear speaker 01 = MONO and HPL 10 = OUT3 and HPL 11 = OUT4 and HPL	

**Register 24h** controls the output volume mapping on headphone jack insertion.

REGISTER ADDRESS	BIT	LABEL	DEFAULT	DESCRIPTION	REFER TO
26h	14	PR6	1 (disabled)	<b>Output PGAs Disable Control</b> 1 = Disabled 0 = Enabled	Power Management
	13	PR5	1 (disabled)	<b>Internal Clock Disable Control</b> 1 = Disabled 0 = Enabled	
	12	PR4	1 (disabled)	<b>AC-Link Disable Control</b> 1 = Disabled 0 = Enabled	
	11	PR3	1 (disabled)	<b>Analogue Disable Control</b> 1 = Disabled 0 = Enabled	
	10	PR2	1 (disabled)	<b>Input PGAs and Mixers Disable Control</b> 1 = Disabled 0 = Enabled	
	9	PR1	1 (disabled)	<b>Stereo DAC Disable Control</b> 1 = Disabled 0 = Enabled	
	8	PR0	1 (disabled)	<b>Stereo ADC and Record Mux Disable Control</b> 1 = Disabled 0 = Enabled	
	3	REF	0 (not ready)	<b>VREF Ready (Read Only)</b> 1 = VREF ready 0 = VREF not ready	
	2	ANL	0 (not ready)	<b>Analogue Mixers Ready (Read Only)</b> 1 = Analogue mixers ready 0 = Analogue mixers not ready	
	1	DAC	0 (not ready)	<b>Stereo DAC Ready (Read Only)</b> 1 = DAC ready 0 = DAC not ready	
	0	ADC	0 (not ready)	<b>Stereo ADC Ready (Read Only)</b> 1 = ADC ready 0 = ADC not ready	

**Register 26h** is for power management according to the AC'97 specification. Note that the actual state of many circuit blocks depends on both register 26h AND registers 3Ch and 3Eh.



REGISTER ADDRESS	BIT	LABEL	DEFAULT	DESCRIPTION	REFER TO
28h read-only	15:14	ID	00	Indicates that the WM9713L is configured as the primary CODEC in the system.	Intel's AC'97 Component Specification, Revision 2.2, page 59
	11:10	REV	01	Indicates that the WM9713L conforms to AC'97 Rev2.2	
	9	AMAP	0	Indicates that the WM9713L does not support slot mapping	
	8	LDAC	0	Indicates that the WM9713L does not have an LFE DAC	
	7	SDAC	0	Indicates that the WM9713L does not have Surround DACs	
	6	CDAC	0	Indicates that the WM9713L does not have a Centre DAC	
	3	VRM	0	Indicates that the WM9713L does not have a dedicated, variable rate microphone ADC	
	2	SPDIF	1	Indicates that the WM9713L supports S/PDIF output	
	1	DRA	0	Indicates that the WM9713L does not support double rate audio	
	0	VRA	1	Indicates that the WM9713L supports variable rate audio	

**Register 28h** is a read-only register that indicates to the driver which advanced AC'97 features the WM9713L supports.

REGISTER ADDRESS	BIT	LABEL	DEFAULT	DESCRIPTION	REFER TO
2Ah	10	SPCV	0	<b>S/PDIF Validity Bit (Read Only)</b> 1 = Valid 0 = Not valid	Digital Audio (S/PDIF) Output
	5:4	SPSA	01 (slots 6, 9)	<b>S/PDIF Slot Assignment Control</b> 00 = Slots 3 and 4 01 = Slots 6 and 9 10 = Slots 7 and 8 11 = Slots 10 and 11	
	2	SEN	0 (disabled)	<b>S/PDIF Output Enable Control</b> 1 = Enabled 0 = Disabled	
	0	VRA	0 (OFF)	<b>Variable Rate Audio Control</b> 1 = Enable VRA 0 = Disable VRA (ADC and DAC run at 48kHz)	

**Register 2Ah** controls the S/PDIF output and variable rate audio.

REGISTER ADDRESS	BIT	LABEL	DEFAULT	DESCRIPTION	REFER TO
2Ch	all	DACSR	BB80h (48kHz)	<b>Stereo DAC Sample Rate Control</b> 1F40h = 8kHz 2B11h = 11.025kHz 2EE0h = 12kHz 3E80h = 16kHz 5622h = 22.05kHz 5DC0h = 24kHz 7D00h = 32kHz AC44h = 44.1kHz BB80h = 48kHz Any other value defaults to the nearest supported sample rate	Variable Rate Audio / Sample Rate Conversion
2Eh	all	AUXDACSR	BB80h (48kHz)	<b>AUXDAC Sample Rate Control</b> 1F40h = 8kHz 2B11h = 11.025kHz 2EE0h = 12kHz 3E80h = 16kHz 5622h = 22.05kHz 5DC0h = 24kHz 7D00h = 32kHz AC44h = 44.1kHz BB80h = 48kHz Any other value defaults to the nearest supported sample rate	
32h	all	ADCSR	BB80h (48kHz)	<b>Stereo ADC Sample Rate Control</b> 1F40h = 8kHz 2B11h = 11.025kHz 2EE0h = 12kHz 3E80h = 16kHz 5622h = 22.05kHz 5DC0h = 24kHz 7D00h = 32kHz AC44h = 44.1kHz BB80h = 48kHz Any other value defaults to the nearest supported sample rate	
<b>Note:</b> The VRA bit in register 2Ah must be set first to obtain sample rates other than 48kHz					

**Registers 2Ch, 2Eh 32h and** control the sample rates for the stereo DAC, auxiliary DAC and audio ADC, respectively.

REGISTER ADDRESS	BIT	LABEL	DEFAULT	DESCRIPTION		REFER TO
36h	15	CTRL	0 (GPIO reg)	<b>GPIO Pin Configuration Control</b> 0 = GPIO pins used as GPIOs 1 = GPIO pins used as PCM interface		PCM CODEC
	14:13	MODE	10 (master mode)	<b>PCM Interface Mode Control</b> 00 = PCM interface disabled 01 = Slave mode 10 = Master mode 11 = Partial master mode		
	11:9	DIV	010 (1/4)	<b>PCMCLK Rate Control</b> 000 = Voice DAC clock 001 = Voice DAC clock / 2 010 = Voice DAC clock / 4 011 = Voice DAC clock / 8 100 = Voice DAC clock / 16 All other values are reserved		
	8	VDACOSR	0 (64x)	<b>Voice DAC Oversampling Rate Control</b> 0 = 64 x fs 1 = 128 x fs		
	7	CP	0 (normal)	<b>PCMCLK Polarity Control</b> 0 = Normal 1 = Inverted		
	6	FSP	0 (normal)	FMT = 00, 01 or 10	FMT = 11	
				<b>PCMFS Polarity Control</b> 0 = Normal 1 = Inverted	<b>DSP Mode Control</b> 0 = DSP Mode A 1 = DSP Mode B	
	5:4	SEL	00 (normal)	<b>PCM ADC Output Channel Control</b> 00 = Normal stereo 01 = Reverse stereo 10 = Output left ADC data only 11 = Output right ADC data only		
	3:2	WL	10 (24 bits)	<b>PCM Data Word Length Control</b> 00 = 16-bit 01 = 20-bit 10 = 24-bit 11 = 32-bit (not supported when FMT=00)		
1:0	FMT	10 (I <sup>2</sup> S)	<b>PCM Data Format Control</b> 00 = Right justified 01 = Left justified 10 = I <sup>2</sup> S 11 = DSP mode			

Register 36h controls the PCM CODEC.

REGISTER ADDRESS	BIT	LABEL	DEFAULT	DESCRIPTION	REFER TO
3Ah	15	V	0	<b>S/PDIF Validity Bit</b> 1 = Valid 0 = Not valid	Digital Audio (S/PDIF) Output
	14	DRS	0	Indicates that the WM9713L does not support double rate S/PDIF output (read-only)	
	13:12	SPSR	10	Indicates that the WM9713L only supports 48kHz sampling on the S/PDIF output (read-only)	
	11	L	0	<b>S/PDIF L-bit Control</b> Programmed as required by user	
	10:4	CC	0000000	<b>S/PDIF Category Code Control</b> Category code; programmed as required by user	
	3	PRE	0	<b>S/PDIF Pre-emphasis Indication Control</b> 0 = no pre-emphasis 1 = 50/15µs pre-emphasis	
	2	COPY	0	<b>S/PDIF Copyright Indication Control</b> 0 = Copyright not asserted 1 = Copyright asserted	
	1	AUDIB	0	<b>S/PDIF Non-audio Indication Control</b> 0 = PCM data 1 = Non-PCM data	
	0	PRO	0	<b>S/PDIF Professional Indication Control</b> 0 = Consumer mode 1 = Professional mode	

**Register 3Ah** Read/Write. Controls the S/PDIF output.

REGISTER ADDRESS	BIT	LABEL	DEFAULT	DESCRIPTION	REFER TO
3Ch	15	PADCPD	1 (disabled)	<b>Touchpanel / AUXADC Disable Control</b> 1 = Disabled 0 = Enabled	Power Management
	14	VMID1M	1 (disabled)	<b>1Meg VMID String Disable Control</b> 1 = Disabled 0 = Enabled	
	13	TSHUT	1 (disabled)	<b>Thermal Shutdown Disable Control</b> 1 = Disabled 0 = Enabled	
	12	VXDAC	1 (disabled)	<b>Voice DAC Disable Control</b> 1 = Disabled 0 = Enabled	
	11	AUXDAC	1 (disabled)	<b>AUXDAC Disable Control</b> 1 = Disabled 0 = Enabled	
	10	VREF	1 (disabled)	<b>VREF Disable Control</b> 1 = Disabled 0 = Enabled	
	9	PLL	1 (disabled)	<b>PLL Disable Control</b> 1 = Disabled 0 = Enabled	
	7	DACL	1 (disabled)	<b>Left DAC Disable Control</b> 1 = Disabled 0 = Enabled	
	6	DACR	1 (disabled)	<b>Right DAC Disable Control</b> 1 = Disabled 0 = Enabled	
	5	ADCL	1 (disabled)	<b>Left ADC Disable Control</b> 1 = Disabled 0 = Enabled	
	4	ADCR	1 (disabled)	<b>Right ADC Disable Control</b> 1 = Disabled 0 = Enabled	
	3	HPLX	1 (disabled)	<b>Left Headphone Mixer Disable Control</b> 1 = Disabled 0 = Enabled	
	2	HPRX	1 (disabled)	<b>Right Headphone Mixer Disable Control</b> 1 = Disabled 0 = Enabled	
	1	SPKX	1 (disabled)	<b>Speaker Mixer Disable Control</b> 1 = Disabled 0 = Enabled	
0	MX	1 (disabled)	<b>Mono Mixer Disable Control</b> 1 = Disabled 0 = Enabled		

\* "0" corresponds to "ON", if and only if the corresponding bit in register 26h is also 0.

**Register 3Ch** is for power management additional to the AC'97 specification. Note that the actual state of each circuit block depends on both register 3Ch AND register 26h.

REGISTER ADDRESS	BIT	LABEL	DEFAULT	DESCRIPTION	REFER TO
3Eh	15	MCD	1 (disabled)	<b>Microphone Current Detect Disable Control</b> 1 = Disabled 0 = Enabled	Power Management
	14	MICBIAS	1 (disabled)	<b>Microphone Bias Disable Control</b> 1 = Disabled 0 = Enabled	
	13	MONO	1 (disabled)	<b>MONO PGA Disable Control</b> 1 = Disabled 0 = Enabled	
	12	OUT4	1 (disabled)	<b>OUT4 PGA Disable Control</b> 1 = Disabled 0 = Enabled	
	11	OUT3	1 (disabled)	<b>OUT3 PGA Disable Control</b> 1 = Disabled 0 = Enabled	
	10	HPL	1 (disabled)	<b>HPL PGA Disable Control</b> 1 = Disabled 0 = Enabled	
	9	HPR	1 (disabled)	<b>HPR PGA Disable Control</b> 1 = Disabled 0 = Enabled	
	8	SPKL	1 (disabled)	<b>SPKL PGA Disable Control</b> 1 = Disabled 0 = Enabled	
	7	SPKR	1 (disabled)	<b>SPKR PGA Disable Control</b> 1 = Disabled 0 = Enabled	
	6	LL	1 (disabled)	<b>LINEL PGA Disable Control</b> 1 = Disabled 0 = Enabled	
	5	LR	1 (disabled)	<b>LINER PGA Disable Control</b> 1 = Disabled 0 = Enabled	
	4	MOIN	1 (disabled)	<b>MONOIN PGA Disable Control</b> 1 = Disabled 0 = Enabled	
	3	MA	1 (disabled)	<b>MICA PGA Disable Control</b> 1 = Disabled 0 = Enabled	
	2	MB	1 (disabled)	<b>MICB PGA Disable Control</b> 1 = Disabled 0 = Enabled	
	1	MPA	1 (disabled)	<b>Mic Pre-amp MPA Disable Control</b> 1 = Disabled 0 = Enabled	
0	MPB	1 (disabled)	<b>Mic Pre-amp MPB Disable Control</b> 1 = Disabled 0 = Enabled		

\* "0" corresponds to "ON", if and only if the corresponding bit in register 26h is also 0.

**Register 3Eh** is for power management additional to the AC'97 specification. Note that the actual state of each circuit block depends on both register 3Eh AND register 26h.

REGISTER ADDRESS	BIT	LABEL	DEFAULT	DESCRIPTION	REFER TO
40h	13	3DE	0 (disabled)	<b>3D Enhancement Control</b> 1 = Enabled 0 = Disabled	Audio DACs, 3D Stereo Enhancement
	7	LB	0 (disabled)	<b>Digital Loopback Control</b> 1 = Enabled 0 = Disabled	Intel's AC'97 Component Specification, Revision 2.2, page 55

**Register 40h** is a "general purpose" register as defined by the AC'97 specification. Only two bits are implemented in the WM9713L.

REGISTER ADDRESS	BIT	LABEL	DEFAULT	DESCRIPTION	REFER TO
42h	6	MONO	0 (normal)	<b>MONO Fast Power Up Control</b> 1 = Fast power up 0 = Normal power up	Analogue Audio Outputs, Power-Up
	5	SPKL	0 (normal)	<b>SPKL Fast Power Up Control</b> 1 = Fast power up 0 = Normal power up	
	4	SPKR	0 (normal)	<b>SPKR Fast Power Up Control</b> 1 = Fast power up 0 = Normal power up	
	3	HPL	0 (normal)	<b>HPL Fast Power Up Control</b> 1 = Fast power up 0 = Normal power up	
	2	HPR	0 (normal)	<b>HPR Fast Power Up Control</b> 1 = Fast power up 0 = Normal power up	
	1	OUT3	0 (normal)	<b>OUT3 Fast Power Up Control</b> 1 = Fast power up 0 = Normal power up	
	0	OUT4	0 (normal)	<b>OUT4 Fast Power Up Control</b> 1 = Fast power up 0 = Normal power up	

**Register 42h** controls power-up conditions for output PGAs.

REGISTER ADDRESS	BIT	LABEL	DEFAULT	DESCRIPTION	REFER TO
44h	14:12	S <sub>EXT</sub> [6:4]	000 (div 1)	<b>Hi-Fi Block Clock Division Control</b> 000 = f 001 = f/2 ... 111 = f/8	Clock Generation
	11:8	S <sub>EXT</sub> [3:0]	0000 (div 1)	<b>Voice DAC Clock Division Control</b> 0000 = f 0001 = f/2 ... 1111 = f/16	
	7	CLKSRC	1 (external)	<b>AC97 CLK Source Control</b> 1 = External clock 0 = PLL clock	
	5:3	PENDIV	000 (f/16)	<b>AUXADC Clock Division Control</b> 000 = f/16 001 = f/12 010 = f/8 011 = f/6 100 = f/4 101 = f/3 110 = f/2 111 = f	
	2	CLKBX2	0 (normal)	<b>MCLKB Multiplier Control</b> 0 = Normal 1 = Multiply by 2	
	1	CLKAX2	0 (Off)	<b>MCLKA Multiplier Control</b> 0 = Normal 1 = Multiply by 2	
	0	CLKMUX	0 (MCLKA)	<b>External Clock Source Control</b> 0 = Use MCLKA 1 = Use MCLKB	

**Register 44h** controls clock division and muxing.



REGISTER ADDRESS	BIT	LABEL	DEFAULT	DESCRIPTION	REFER TO
46h	15:12	N[3:0]	0000 (div by 1)	<b>PLL N Divide Control</b> 0000 = Divide by 1 0001 = Divide by 1 0010 = Divide by 2 ... 1111 = Divide by 15	PLL Mode
	11	LF	0 (normal)	<b>PLL Low Frequency Input Control</b> 1 = Low frequency mode (input clock < 8.192MHz) 0 = Normal mode	
	10	SDM	0 (disabled)	<b>PLL SDM Enable Control</b> 1 = Enable SDM (required for fractional N mode) 0 = Disable SDM	
	9	DIVSEL	0 (div by 1)	<b>PLL Input Clock Division Control</b> 0 = Divide by 1 1 = Divide according to DIVCTL	
	8	DIVCTL	0	<b>PLL Input Clock Division Value Control</b> 0 = Divide by 2 1 = Divide by 4	
	6:4	PGADDR	000	<b>Pager Address</b> Pager address bits to access programming of K[21:0] and S <sub>PLL</sub> [6:0]	
	3:0	PGDATA	0000	<b>Pager Data</b> Pager data bits	

**Register 46h** controls PLL clock generation.

REGISTER ADDRESS	BIT	LABEL	DEFAULT	DESCRIPTION	REFER TO	
4Ch	<i>n</i>	<i>GCn</i>	1 (input)	<b>GPIO Pin Configuration Control</b> 0 = Output 1 = Input (GC9-15 are always inputs)	GPIO and Interrupt Control	
4Eh	<i>n</i>	<i>GPn</i>	1 (active high)	<b>GPIO Pin Polarity / Type</b>		
				Input ( <i>GCn</i> = 1)		Output ( <i>GCn</i> = 0)
				0 = Active low 1 = Active high		0 = CMOS output 1 = Open drain
50h	<i>n</i>	<i>GSn</i>	0 (not sticky)	<b>GPIO Pin Sticky Control</b> 0 = Not sticky 1 = Sticky		
52h	<i>n</i>	<i>GWn</i>	0 (no wake-up)	<b>GPIO Pin Wake-up Control</b> 0 = No wake-up (no interrupts generated by GPIO) 1 = Wake-up (generate interrupts from GPIO)		
54h	<i>n</i>	<i>GIN</i>	N/A	<b>GPIO Pin Status</b> Read = Returns status of GPIO Write = Writing 0 clears sticky bits		
Bit definitions for registers 4Ch to 54h	15			Controls Comparator 1 signal (virtual GPIO)		
	14			Controls Comparator 2 signal (virtual GPIO)		
	13			Controls Pen-Down Detector signal (virtual GPIO)		
	12			Controls ADA signal (virtual GPIO)		
	11			Controls Thermal sensor signal (virtual GPIO)		
	10			Controls Microphone short detect (virtual GPIO)		
	9			Controls Microphone insert detect (virtual GPIO)		
	8			Controls GPIO8 (pin 12)		
	7			Controls GPIO7 (pin 11)		
	6			Controls GPIO6 (pin 3)		
	5			Controls GPIO5 (pin 48)		
	4			Controls GPIO4 (pin 47)		
	3			Controls GPIO3 (pin 46)		
2			Controls GPIO2 (pin 45)			
1			Controls GPIO1 (pin 44)			

**Register 4Ch to 54h** control the GPIO pins and virtual GPIO signals.

REGISTER ADDRESS	BIT	LABEL	DEFAULT	DESCRIPTION	REFER TO
56h	8	GE8	1 (GPIO)	<b>GPIO8 (Pin 12) Function Control</b> 0 = Pin 12 is not controlled by GPIO logic 1 = Pin 12 is controlled by GPIO logic	GPIO and Interrupt Control
	7	GE7	1 (GPIO)	<b>GPIO7 (Pin 11) Function Control</b> 0 = Pin 11 is not controlled by GPIO logic 1 = Pin 11 is controlled by GPIO logic	
	6	GE6	1 (GPIO)	<b>GPIO6 (Pin 3) Function Control</b> 0 = Pin 3 is not controlled by GPIO logic 1 = Pin 3 is controlled by GPIO logic	
	5	GE5	1 (GPIO)	<b>GPIO5 (Pin 48) Function Control</b> 0 = Pin 48 is not controlled by GPIO logic 1 = Pin 48 is controlled by GPIO logic	
	4	GE4	1 (GPIO)	<b>GPIO4 (Pin 47) Function Control</b> 0 = Pin 47 is not controlled by GPIO logic 1 = Pin 47 is controlled by GPIO logic	
	3	GE3	1 (GPIO)	<b>GPIO3 (Pin 46) Function Control</b> 0 = Pin 46 is not controlled by GPIO logic 1 = Pin 46 is controlled by GPIO logic	
	2	GE2	1 (GPIO)	<b>GPIO2 (Pin 45) Function Control</b> 0 = Pin 45 is not controlled by GPIO logic 1 = Pin 45 is controlled by GPIO logic	

**Register 56h** controls the use of GPIO pins for non-GPIO functions.

REGISTER ADDRESS	BIT	LABEL	DEFAULT	DESCRIPTION	REFER TO
58h	15:8	PU	01000000	<b>GPIO Pin Pull-Up Control</b> 1 = Enables weak pull-up on GPIO pins 0 = No pull-up on GPIO pins	GPIO and Interrupt Control
	7:0	PD	00000000	<b>GPIO Pin Pull-Down Control</b> 1 = Enables weak pull-down on GPIO pins 0 = No pull-down on GPIO pins	

**Register 58h** controls GPIO pull-up/down.

REGISTER ADDRESS	BIT	LABEL	DEFAULT	DESCRIPTION	REFER TO
5Ah	15:13	COMP2DEL	000 (no delay)	<b>Low Battery Alarm Delay Control</b> 000 = No delay 001 = 2 <sup>13</sup> AC-link frames 010 = 2 <sup>14</sup> AC-link frames 011 = 2 <sup>15</sup> AC-link frames 100 = 2 <sup>16</sup> AC-link frames 101 = 2 <sup>17</sup> AC-link frames 110 = 2 <sup>18</sup> AC-link frames 111 = 2 <sup>19</sup> AC-link frames	Battery Alarm
	8	RSTDIS	0 (RESETB enabled)	<b>RESETB Pin Disable Control</b> 0 = Pin 11 is RESETB 1 = Pin 11 is GPIO (RESETB function disabled)	GPIO Interrupt and Control
	7:6	JSEL	00 (GPIO1)	<b>Jack Detect Pin Input Control</b> 00 = GPIO1 01 = GPIO6 10 = GPIO7 11 = GPIO8	Jack Insertion & Auto-Switching
	5:4	HPMODE	00 (7Hz)	<b>HPF Cut-Off Control</b> 00 = 7Hz @ fs=48kHz 01 = 82Hz @ fs=16kHz 10 = 82Hz @ fs=8kHz 11 = 170Hz @ fs=8kHz	Audio ADCs
	3:2	DIE REV	N/A	<b>Device Revision (Read-Only)</b> 00 = Rev.A 01 = Rev.B 10 = Rev.C	N/A
	1	WAKEEN	0 (disabled)	<b>GPIO Wake Up Control</b> 0 = Disable wake-up 1 = Enable wake up	GPIO and Interrupt Control
	0	IRQ INV	0 (normal)	<b>IRQ Polarity Control</b> 0 = Normal 1 = Inverted	

**Register 5Ah** controls several additional functions.

REGISTER ADDRESS	BIT	LABEL	DEFAULT	DESCRIPTION	REFER TO														
5Ch	15	AMUTE	0	<b>DAC Automute Status (Read-Only)</b> 0 = DAC not muted 1 = DAC auto-muted	Audio DACs, Stereo DACs														
	14	C2REF	0 (AVDD/2)	<b>Comparator 2 Reference Voltage Select</b> 0 = AVDD/2 1 = WIPER/AUX4 (pin 12)	Battery Alarm														
	13:12	C2SRC	00 (power down)	<b>Comparator 2 Signal Source</b> 00 = AVDD/2 when C2REF=1, else powered down 01 = COMP1/AUX1 (pin 29) 10 = COMP2/AUX2 (pin 30) 11 = Reserved															
	11	C1REF	0 (AVDD/2)	<b>Comparator 1 Reference Voltage Select</b> 0 = AVDD/2 1 = WIPER/AUX4 (pin 12)															
	10:9	C1SRC	00 (OFF)	<b>Comparator 1 Signal Source</b> 00 = AVDD/2 when C1REF=1, else powered down 01 = COMP1/AUX1 (pin 29) 10 = COMP2/AUX2 (pin 30) 11 = Reserved															
	7	AMEN	0 (OFF)	<b>DAC Automute Control</b> 0 = Disabled 1 = Enabled		Stereo DAC													
	6:5	VBIAS	00 (3.3V)	<b>Analogue Bias Optimization Control</b> 0X = Optimized for 3.3V 10 = Optimized for 2.5V 11 = Optimized for 1.8V	Power Management														
	4	ADCO	0 (SDATAOUT)	<b>S/PDIF Data Source Control</b> 0 = From SDATAOUT 1 = Output from audio ADC	Digital Audio (S/PDIF) Output														
	3	HPF	0 (enabled)	<b>ADC HPF Disable Control</b> 0 = HPF enabled 1 = HPF disabled	Audio ADC														
	1:0	ASS	00 (slots 3, 4)	<b>ADC Data Slot Mapping Control</b> <table style="margin-left: auto; margin-right: auto;"> <thead> <tr> <th></th> <th>Left Data</th> <th>Right Data</th> </tr> </thead> <tbody> <tr> <td>00 =</td> <td>Slot 3</td> <td>Slot 4</td> </tr> <tr> <td>01 =</td> <td>Slot 7</td> <td>Slot 8</td> </tr> <tr> <td>10 =</td> <td>Slot 6</td> <td>Slot 9</td> </tr> <tr> <td>11 =</td> <td>Slot 10</td> <td>Slot 11</td> </tr> </tbody> </table>		Left Data	Right Data	00 =	Slot 3	Slot 4	01 =	Slot 7	Slot 8	10 =	Slot 6	Slot 9	11 =	Slot 10	Slot 11
	Left Data	Right Data																	
00 =	Slot 3	Slot 4																	
01 =	Slot 7	Slot 8																	
10 =	Slot 6	Slot 9																	
11 =	Slot 10	Slot 11																	

Register 5Ch controls several additional functions.

REGISTER ADDRESS	BIT	LABEL	DEFAULT	DESCRIPTION	REFER TO
60h	15:12	ALCL	1011 (-12dB)	<b>ALC Target Level Control</b> 0000 = -28.5dBFS ... (1.5dB steps) 1111 = -6dBFS	Audio ADC, Automatic Level Control
	11:8	HLD	0000 (0ms)	<b>ALC Hold Time Control</b> 0000 = 0ms 0001 = 2.67ms ... (time doubles with every step) 1111 = 43.691s	
	7:4	DCY	0011 (192ms)	<b>ALC Decay Time Control</b> 0000 = 24ms ... (time doubles with every step) 1010 to 1111 = 24.58s	
	3:0	ATK	0010 (24ms)	<b>ALC Attack Time Control</b> 0000 = 6ms ... (time doubles with every step) 1010 to 1111 = 6.14s	
62h	15:14	ALCSEL	00 (disabled)	<b>ALC Function Channel Control</b> 00 = ALC disabled 01 = ALC on right channel only 10 = ALC or left channel only 11 = ALC on both left and right channels	
	13:11	MAXGAIN	111 (+30dB)	<b>ALC PGA Gain Limit Control</b> 000 = -12dB ... (6dB steps) 111 = +30dB	
	10:9	ZC TIMEOUT	11 (slowest)	<b>ALC Zero Cross Timeout Delay Control</b> 00 = $2^{14} \times t_{\text{BITCLK}}$ (1.33ms) 01 = $2^{15} \times t_{\text{BITCLK}}$ (2.67ms) 10 = $2^{16} \times t_{\text{BITCLK}}$ (5.33ms) 11 = $2^{17} \times t_{\text{BITCLK}}$ (10.67ms)	
	7	NGAT	0 (disabled)	<b>Noise Gate Enable Control</b> 0 = Disabled 1 = Enabled	
	5	NGG	0 (hold gain)	<b>Noise Gate Function Control</b> 0 = Hold PGA gain at last value 1 = Mute ADC output	
	4:0	NGTH	00000 (-76.5dB)	<b>Noise Gate Threshold Control</b> 00000 = -76.5dBFS ... (1.5dB steps) 11111 = -30dBFS	

Registers 60h and 62h control the ALC and Noise Gate functions.

REGISTER ADDRESS	BIT	LABEL	DEFAULT	DESCRIPTION	REFER TO
64h	15	XSLE	0 (DC)	<b>AUXDAC Input Select Control</b> 0 = From AUXDACVAL[11:0] (for DC signals) 1 = From AC-Link (for AC signals)	Auxiliary DAC
	14:12	AUXDAC SLT	000 (Slot 5)	<b>AUXDAC Input Control (XSLE=1)</b> 000 = Slot 5, bits 8-19 001 = Slot 6, bits 8-19 010 = Slot 7, bits 8-19 011 = Slot 8, bits 8-19 100 = Slot 9, bits 8-19 101 = Slot 10, bits 8-19 110 = Slot 11, bits 8-19 111 = Reserved	
	11:0	AUXDAC VAL	000h (min)	<b>AUXDAC Input Control (XSLE=0)</b> 000h = Minimum FFFh = Full scale	

**Register 64h** controls the input signal of the auxiliary DAC.

REGISTER ADDRESS	BIT	LABEL	DEFAULT	DESCRIPTION	REFER TO
74h	9	POLL	0	<b>Poll Measurement Control</b> Writing "1" initiates a measurement (when CTC is not set)	Touchpanel Interface
	8	CTC	0 (Polling)	<b>AUXADC Measurement Mode</b> 0 = Polling mode 1 = Continuous mode (for DMA)	
	7	ADCSEL_ AUX4	0 (disabled)	<b>AUX4 Measurement Enable Control</b> 0 = Disable AUX4 measurement (pin 12) 1 = Enable AUX4 measurement (pin 12)	
	6	ADCSEL_ AUX3	0 (disabled)	<b>AUX3 Measurement Enable Control</b> 0 = Disable AUX3 measurement (SPKVDD/3) 1 = Enable AUX3 measurement (SPKVDD/3)	
	5	ADCSEL_ AUX2	0 (disabled)	<b>AUX2 Measurement Enable Control</b> 0 = Disable AUX2 measurement (pin 30) 1 = Enable AUX2 measurement (pin 30)	
	4	ADCSEL_ AUX1	0 (disabled)	<b>AUX1 Measurement Enable Control</b> 0 = Disable AUX1 measurement (pin 29) 1 = Enable AUX1 measurement (pin 29)	
	3	ADCSEL_ PRESSURE	0 (disabled)	<b>Pressure Measurement Enable Control</b> 0 = Disable pressure measurement 1 = Enable pressure measurement	
	2	ADCSEL_Y	0 (disabled)	<b>Y Co-ordinate Measurement Enable Control</b> 0 = Disable Y co-ordinate measurement 1 = Enable Y co-ordinate measurement	
	1	ADCSEL_X	0 (disabled)	<b>X Co-ordinate Measurement Enable Control</b> 0 = Disable X co-ordinate measurement 1 = Enable X co-ordinate measurement	
	0	COO	0 (single)	<b>Co-ordinate Mode Control</b> 0 = Single measurement 1 = Co-ordinate measurement	

**Register 74h** controls the measurements for the touchpanel interface.

REGISTER ADDRESS	BIT	LABEL	DEFAULT	DESCRIPTION	REFER TO	
76h	9:8	CR	00 (93.75Hz)	<b>Continuous Mode Conversion Rate</b>	Touchpanel Interface	
				<b>DEL &lt; 1111</b>		<b>DEL = 1111</b>
				00 = 93.75Hz		00 = 8kHz
				01 = 120Hz		01 = 12kHz
				10 = 153.75kHz	10 = 24kHz	
				11 = 187.5Hz	11 = 48kHz	
	7:4	DEL	0000 (20.8μs)	<b>Touchpanel Settling Time Control</b> 0000 = 1 AC-link frame (20.8μs) 0001 = 2 AC-link frames (41.7μs) 0010 = 4 AC-link frames (83.3μs) 0011 = 8 AC-link frames (167μs) 0100 = 16 AC-link frames (333μs) 0101 = 32 AC-link frames (667μs) 0110 = 48 AC-link frames (1ms) 0111 = 64 AC-link frames (1.33ms) 1000 = 96 AC-link frame (2ms) 1001 = 128 AC-link frames (2.67ms) 1010 = 160 AC-link frames (3.33ms) 1011 = 192 AC-link frames (4ms) 1100 = 224 AC-link frames (4.67ms) 1101 = 256 AC-link frames (5.33ms) 1110 = 288 AC-link frames (6ms) 1111 = No delay, switch matrix always on		
	3	SLEN	1 (enabled)	<b>Slot Readback Enable Control</b> 0 = Disabled (readback through register map only) 1 = Enabled (readback slot selected by SLT)		
	2:0	SLT	110 (slot 11)	<b>AC'97 Slot for Touchpanel Data Control</b> 000 = Slot 5 001 = Slot 6 010 = Slot 7 011 = Slot 8 100 = Slot 9 101 = Slot 10 110 = Slot 11 111 = Reserved		

Register 76h controls the touchpanel interface measurement timing.



REGISTER ADDRESS	BIT	LABEL	DEFAULT	DESCRIPTION	REFER TO
78h	15:14	PRP	00 (disabled)	<b>Touchpanel Digitiser Power State Control</b> 00 = Disabled 01 = Enable pen detect, wake-up on pen down 10 = Enable pen detect, no wake-up on pen down 11 = Pen detect and pen digitizer enabled	Touchpanel Interface
	13	RPR	0 (AC-link)	<b>Pen Detect Wake-up Mode Control</b> 0 = Wake AC-link only 1 = Wake-up AC-link and WM9713	
	12	45W	0 (4-wire)	<b>Touchpanel Type Control</b> 0 = 4-wire 1 = 5-wire	
	11	PDEN	0 (always)	<b>Touchpanel Measurement Pen Status Control</b> 0 = Measure regardless of pen status 1 = Measure only when pen is down	
	10	PDPOL	0 (normal)	<b>PENDOWN Polarity Control</b> 0 = Normal 1 = Inverted	
	9	WAIT	0 (overwrite)	<b>Touchpanel ADC Data Control</b> 0 = Overwrite existing data in 7Ah with new data 1 = Retain existing data in 7Ah until it is read	
	8	PIL	0 (200 $\mu$ A)	<b>Pressure Measurement Current Control</b> 0 = 200 $\mu$ A 1 = 400 $\mu$ A	
	7:6	MSK	00 (disabled)	<b>Mask Input Control</b> 00 = Disabled 01 = Static 10 = Edge-triggered 11 = Synchronous	
	5:0	RPU	000001 (64k $\Omega$ )	<b>Internal Pull-up Resistor Control</b> 000000 = Reserved 000001 = 64k $\Omega$ /1 (most sensitive) 000010 = 64k $\Omega$ /2 000011 = 64k $\Omega$ /3 ... (64k $\Omega$ /binary value of RPU) 111111 = 64k $\Omega$ /63 (least sensitive)	

**Register 78h** controls the physical properties of the touchpanel interface.

REGISTER ADDRESS	BIT	LABEL	DEFAULT	DESCRIPTION	REFER TO
7Ah read only	15	PNDN	0 (pen up)	<b>Pen Status (Read-only)</b> 0 = Pen up 1 = Pen down	Touchpanel Interface
	14:12	ADCSRC	000 (none)	<b>Touchpanel ADC Source</b> 000 = No measurement 001 = X co-ordinate measurement 010 = Y co-ordinate measurement 011 = Pressure measurement (4-wire only) 100 = COMP1/AUX1 measurement (pin 29) 101 = COMP2/AUX2 measurement (pin 30) 110 = AUX3 measurements (SPKVDD/3) 111 = WIPER/AUX4 measurement (pin 12)	
	11:0	ADCD	000h	<b>Touchpanel ADC Data (Read-only)</b> Bit 0 = LSB Bit 11 = MSB	

**Registers 7Ah** is a read-only register which reports the touchpanel interface status and measurement results.

REGISTER ADDRESS	BIT	LABEL	DEFAULT	DESCRIPTION	REFER TO
7Ch read-only	15:8	F7:0	57h	ASCII character "W" for Wolfson	Intel's AC'97 Component Specification, Revision 2.2, page 50
	7:0	S7:0	4Dh	ASCII character "M"	
7Eh read-only	15:8	T7:0	4Ch	ASCII character "L"	
	7:0	REV7:0	13h	Device identifier	

**Register 7Ch and 7Eh** are read-only registers that indicate to the driver that the CODEC is a WM9713L.

## APPLICATIONS INFORMATION

### RECOMMENDED EXTERNAL COMPONENTS

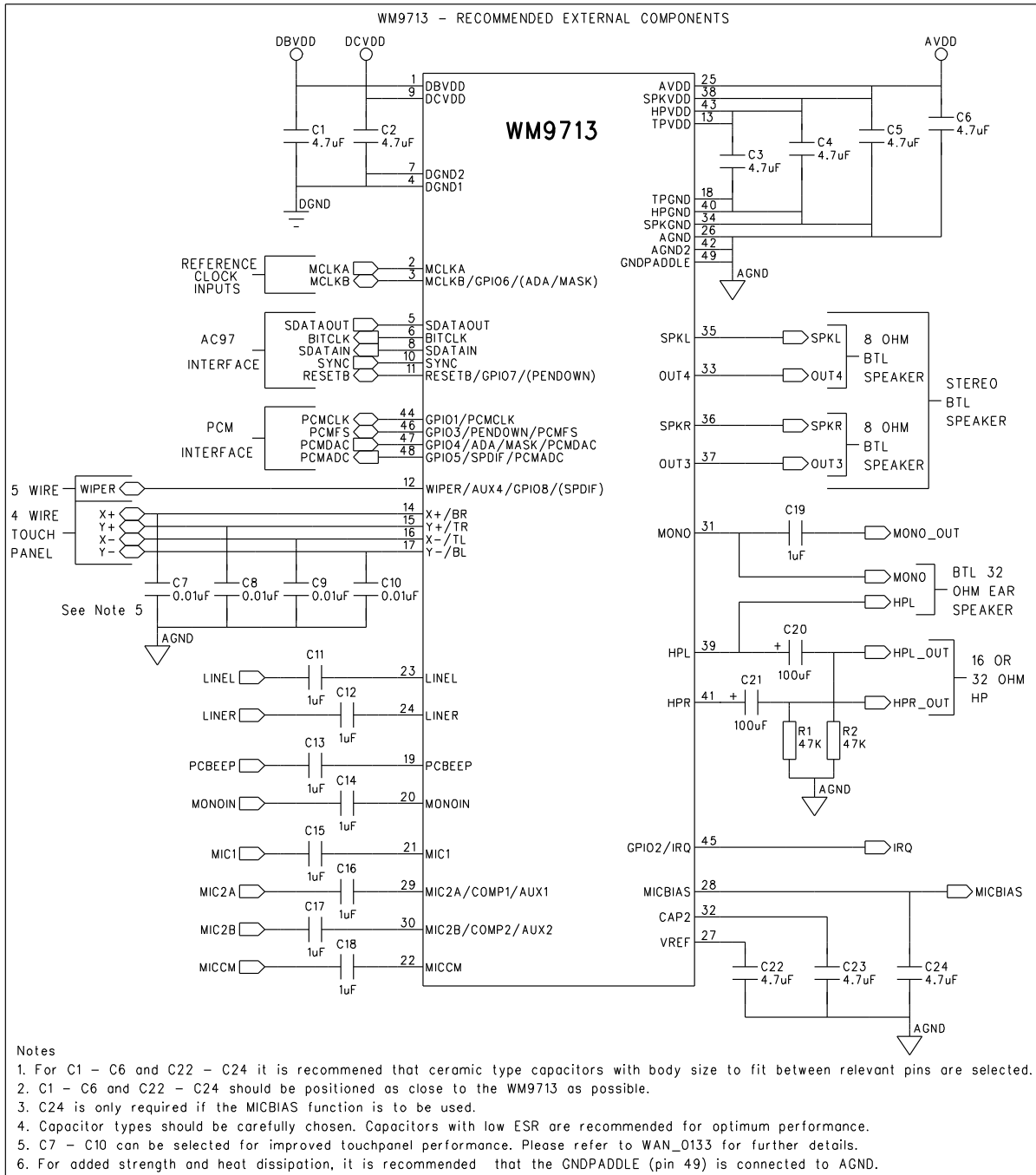
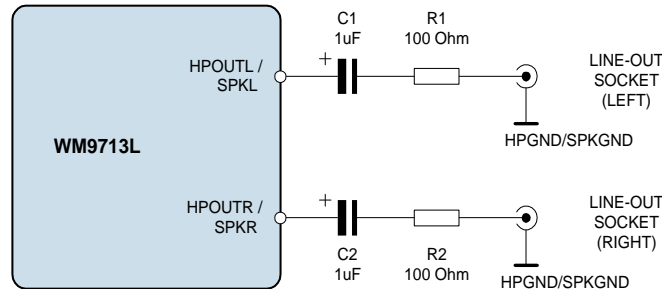


Figure 36 Recommended External Component Diagram

**LINE OUTPUT**

The headphone outputs, HPL and HPR, can be used as stereo line outputs. The speaker outputs, SPKL and SPKR, can also be used as line outputs. Recommended external components are shown below.



**Figure 37 Recommended Circuit for Line Output**

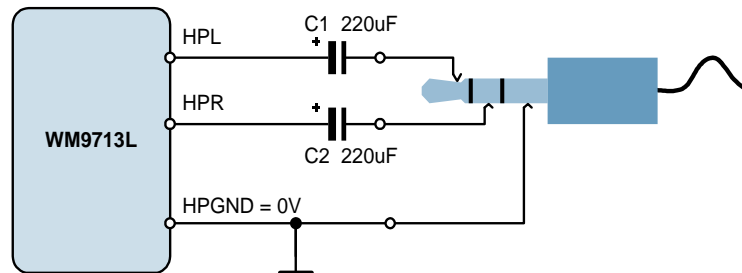
The DC blocking capacitors and the load resistance together determine the lower cut-off frequency,  $f_c$ . Assuming a 10 k $\Omega$  load and  $C_1, C_2 = 10\mu\text{F}$ :

$$f_c = 1 / 2\pi (R_L + R_i) \quad C_1 = 1 / (2\pi \times 10.1\text{k}\Omega \times 1\mu\text{F}) = 16 \text{ Hz}$$

Increasing the capacitance lowers  $f_c$ , improving the bass response. Smaller values of  $C_1$  and  $C_2$  will diminish the bass response. The function of  $R_1$  and  $R_2$  is to protect the line outputs from damage when used improperly.

**AC-COUPLED HEADPHONE OUTPUT**

The circuit diagram below shows how to connect a stereo headphone to the WM9713L.



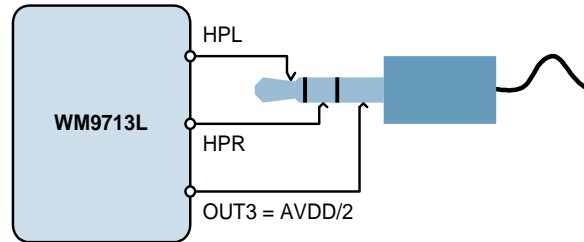
**Figure 38 Simple Headphone Output Circuit Diagram**

The DC blocking capacitors  $C_1$  and  $C_2$  together with the load resistance determine the lower cut-off frequency,  $f_c$ . Increasing the capacitance lowers  $f_c$ , improving the bass response. Smaller capacitance values will diminish the bass response. For example, with a 16 $\Omega$  load and  $C_1 = 220\mu\text{F}$ :

$$f_c = 1 / 2\pi R_L C_1 = 1 / (2\pi \times 16\Omega \times 220\mu\text{F}) = 45 \text{ Hz}$$

## DC-COUPLED (CAPLESS) HEADPHONE OUTPUT

In the interest of saving board space and cost, it may be desirable to eliminate the 220 $\mu$ F DC blocking capacitors. This can be achieved by using OUT3 as a headphone pseudo-ground, as shown below.



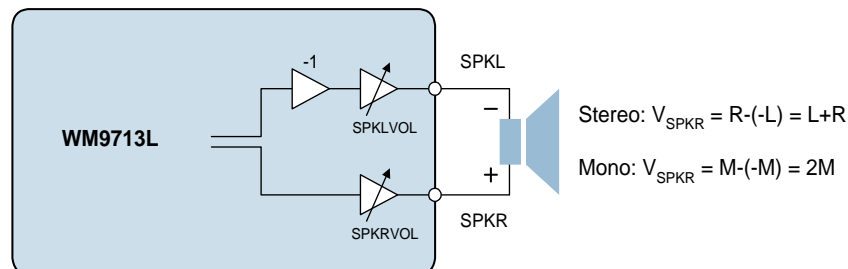
**Figure 39 Capless Headphone Output Circuit Diagram**

As the OUT3 pin produces a DC voltage of AVDD/2, there is no DC offset between HPL/HPR and OUT3, and therefore no DC blocking capacitors are required. However, this configuration has some drawbacks:

- The power consumption of the WM9713L is increased, due to the additional power consumed in the OUT3 output buffer.
- If the DC coupled output is connected to the line-in of a grounded piece of equipment, then OUT3 becomes short-circuited. Although the built-in short circuit protection will prevent any damage to the WM9713L, the audio signal will not be transmitted properly.
- OUT3 cannot be used for another purpose

## BTL LOUDSPEAKER OUTPUT

SPKL and SPKR can differentially drive a mono 8 $\Omega$  loudspeaker as shown below.

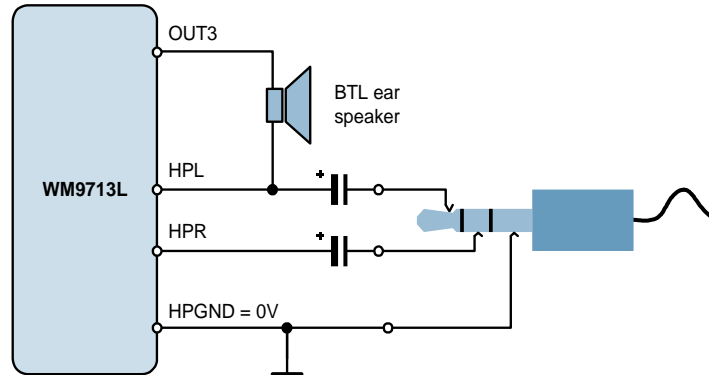


**Figure 40 Speaker Output Connection (INV = 1)**

To drive out differentially one of the speaker outputs must be inverted using INV1 or INV2.

**COMBINED HEADSET / BTL EAR SPEAKER**

In smartphone applications with a loudspeaker and separate ear speaker (receiver), a BTL ear speaker can be connected at the OUT3 pin, as shown below.

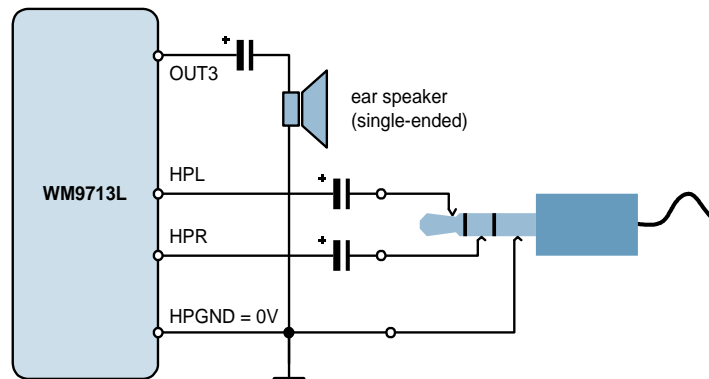


**Figure 41 Combined Headset / BTL Ear Speaker**

The ear speaker and the headset play the same signal. Whenever the headset is plugged in, the headphone outputs are enabled and OUT3 disabled. When the headset is not plugged in, OUT3 is enabled (see “Jack Insertion and Auto-Switching”)

**COMBINED HEADSET / SINGLE-ENDED EAR SPEAKER**

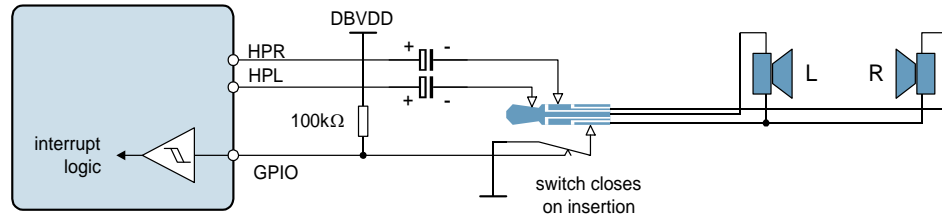
Instead of a BTL ear speaker, a single-ended ear speaker can also be used, as shown below.



**Figure 42 Combined Headset / Single-ended Ear Speaker**

## JACK INSERT DETECTION

The circuit diagram below shows how to detect when a headphone or headset has been plugged into the headphone socket. It generates an interrupt, instructing the controller to enable HPL and HPR and disable OUT3.



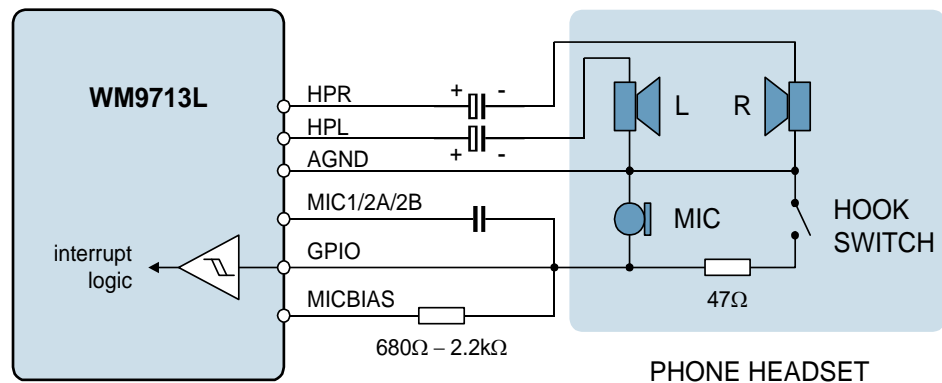
**Figure 43 Jack Insert Detection Circuit**

The circuit requires a headphone socket with a switch that closes on insertion (for using sockets with a switch that opens on insertion, please refer to Application Note WAN0182). It detects both headphones and phone headsets. Any GPIO pin can be used, provided that it is configured as an input.

## HOOKSWITCH DETECTION

Alternatively a headphone socket with a switch that opens on insertion can be used. For this mode of operation the GPIO input must be inverted.

The circuit diagram below shows how to detect when the “hookswitch” of a phone headset is pressed (pressing the hookswitch is equivalent to lifting the receiver in a stationary telephone).



**Figure 44 Hookswitch Detection Circuit**

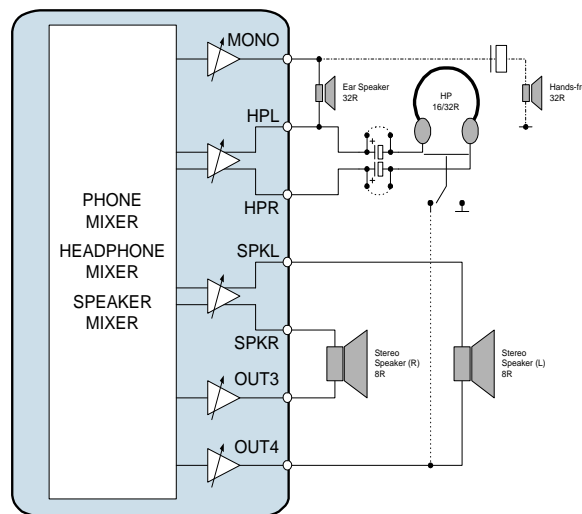
The circuit uses a GPIO pin as a sense input. The impedance of the microphone and the resistor in the MICBIAS path must be such that the potential at the GPIO pin is above  $0.7 \times \text{DBVDD}$  when the hookswitch is open, and below  $0.3 \times \text{DBVDD}$  when it is closed.

## TYPICAL OUTPUT CONFIGURATIONS

The WM9713L has three outputs capable of driving loads down to  $16\Omega$  (headphone / line drivers) – HPL, HPR and MONO - and four outputs capable of driving loads down to  $8\Omega$  (loudspeaker / line drivers) – SPKL, SPKR, OUT3 and OUT4. The combination of output drivers, mixers and mixer inverters means that many output configurations can be supported. Below are some examples of typical output configurations for smartphone applications.

### STEREO SPEAKER

Figure 45 shows a typical output configuration for stereo speakers with headphones, ear speaker and hands-free operation. The table shows suggested mixer outputs to select for each output PGA for a given operating scenario. (Note the inverted mixer outputs can be achieved using the mixer output inverters INV1 and INV2).



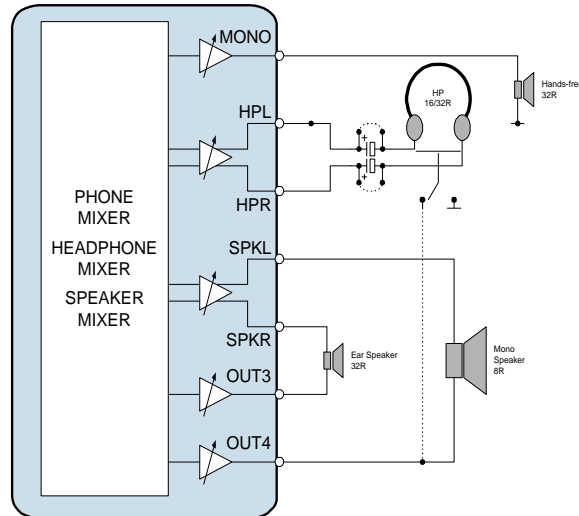
Config/ Driver	Hands-free (1:mmix)	Hands-free (2:spkmix)	Ear Speaker (1:mmix)	Ear Speaker (2:hpmix)	Ear Speaker (1) + Speaker	Ear Speaker (2) + Speaker	Stereo Speaker	Headphone
mono	mmix	spkmix	mmix	-hpmixR	mmix	-hpmixR	-	$Z_H$
spkl	-	-	-	-	hpmixL	hpmixL	hpmixL	$(Z_H)$
spkr	-	-	-	-	hpmixR	hpmixR	hpmixR	-
hpl	$Z_H$	$Z_H$	$V_{mid}$	hpmixL	$V_{mid}$	hpmixL	-	hpmixL
hpr	-	-	-	-	-	-	-	hpmixR
out3	-	-	-	-	-hpmixR	-hpmixR	-hpmixR	-
out4	-	-	-	-	-hpmixL	-hpmixL	-hpmixL	$(V_{mid})$

Figure 45 Stereo Speaker Output Configuration



**MONO SPEAKER**

Figure 46 shows a typical output configuration for mono speaker with headphones, ear speaker and hands-free operation. The table shows suggested mixer outputs to select for each output PGA for a given operating scenario. (Note the inverted mixer outputs can be achieved using the mixer output inverters INV1 and INV2).



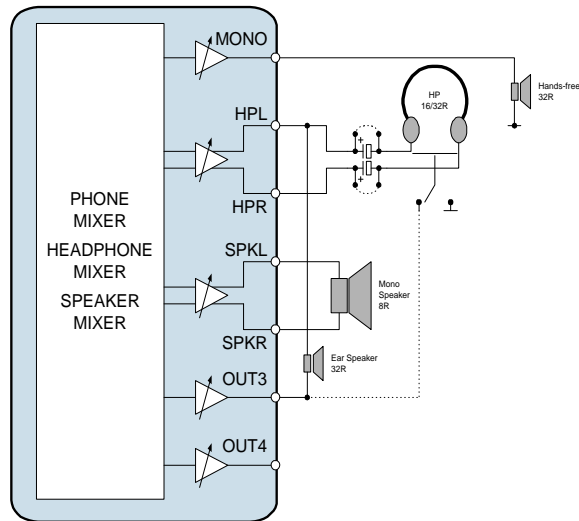
Config/ Driver	Hands-free (1:mmix)	Hands-free (2:spkmix)	Ear Speaker (1:mmix)	Ear Speaker (2:hpmix)	Ear Speaker (1) + Speaker	Ear Speaker (2) + Speaker	Mono Speaker	Headphone
<b>mono</b>	mmix	spkmix	-	-	-	-	-	-
<b>spkl</b>	-	-	-	-	hpmixL	hpmixL	spkmix	(Z <sub>t</sub> )
<b>spkr</b>	-	-	mmix	hpmixR	mmix	hpmixR	-	-
<b>hpl</b>	-	-	-	-	-	-	-	hpmixL
<b>hpr</b>	-	-	-	-	-	-	-	hpmixR
<b>out3</b>	-	-	-mmix	-hpmixL	-mmix	-hpmixL	-	-
<b>out4</b>	-	-	-	-	-hpmixR	-hpmixR	-spkmix	(V <sub>mid</sub> )

**Figure 46 Mono Speaker Output Configuration**

**WM9713L MONO SPEAKER**

Figure 47 shows a typical output configuration compatible with the WM9712 for mono speaker with headphones, ear speaker and hands-free operation. The table shows suggested mixer outputs to select for each output PGA for a given operating scenario. (Note the inverted mixer outputs can be achieved using the mixer output inverters INV1 and INV2).

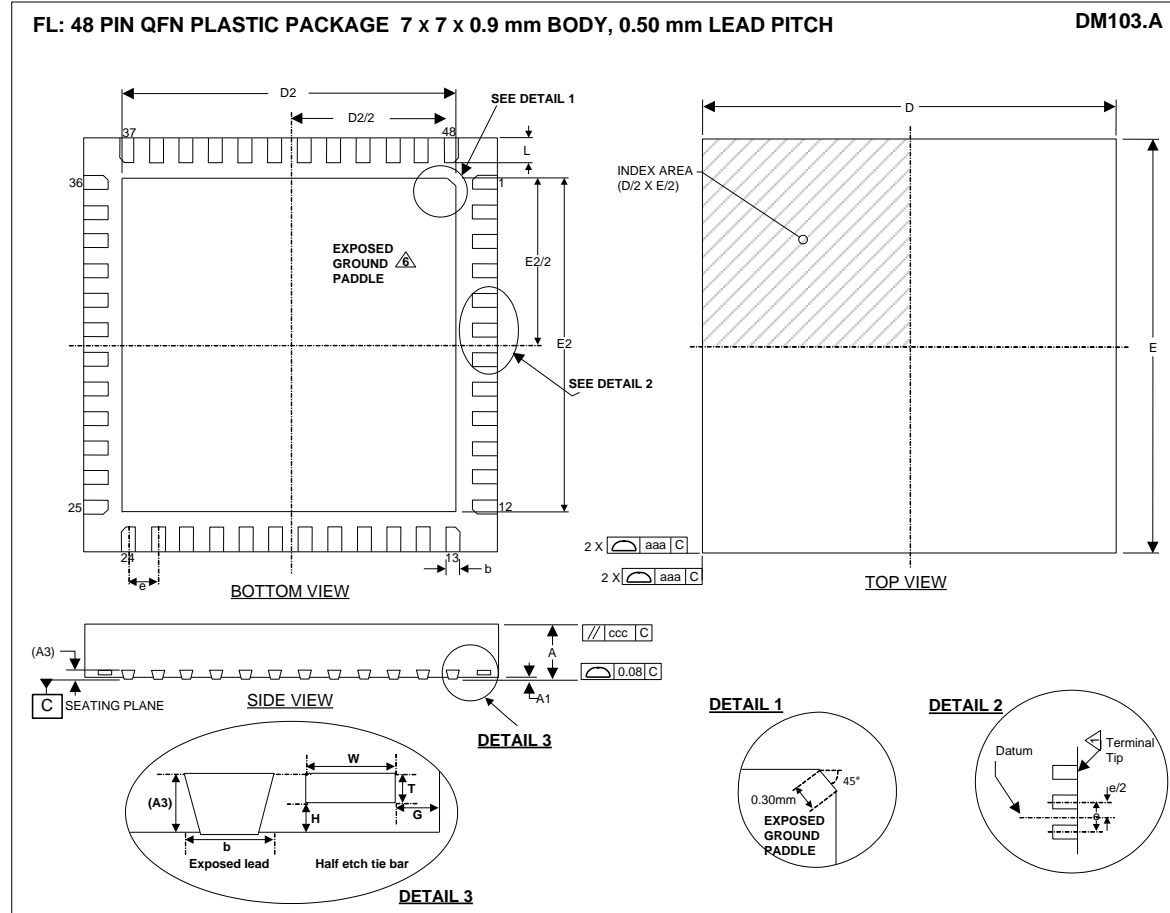
When using this configuration note that AVDD, HPVDD and SPKVDD must all be at the same voltage to achieve the best performance.



Config/ Driver	Hands-free (1:mmix)	Hands-free (2:spkmix)	Ear Speaker (1:mmix)	Ear Speaker (2:hpmix)	Ear Speaker (1) + Speaker	Ear Speaker (2) + Speaker	Mono Speaker	Headphone
<b>mono</b>	mmix	spkmix	-	-	-	-	-	-
<b>spkl</b>	-	-	-	-	hpmixL	hpmixL	spkmix	-
<b>spkr</b>	-	-	-	-	-hpmixR	hpmixR	-spkmix	-
<b>hpl</b>	-	-	$V_{mid}$	hpmixL	mmix	hpmixL	-	hpmixL
<b>hpr</b>	-	-	-	-	-	-	-	hpmixR
<b>out3</b>	-	-	mmix	-hpmixR	-mmix	-hpmixR	-	(Z <sub>i</sub> )
<b>out4</b>	-	-	-	-	-	-	-	-

**Figure 47 WM9713L Mono Speaker Configuration**

## PACKAGE DIMENSIONS



Symbols	Dimensions (mm)			NOTE
	MIN	NOM	MAX	
A	0.80	0.90	1.00	
A1	0	0.02	0.05	
A3		0.20 REF		
b	0.18	0.25	0.30	1
D		7.00 BSC		
D2	5.55	5.65	5.75	
E		7.00 BSC		
E2	5.55	5.65	5.75	
e		0.5 BSC		
G		0.20		
H		0.10		
L	0.30	0.4	0.50	
T		0.103		
W		0.15		
<b>Tolerances of Form and Position</b>				
aaa		0.15		
bbb		0.10		
ccc		0.10		
REF	JEDEC, MO-220, VARIATION VKKD-4			

**NOTES:**

- DIMENSION b APPLIED TO METALLIZED TERMINAL AND IS MEASURED BETWEEN 0.15 mm AND 0.30 mm FROM TERMINAL TIP.
- ALL DIMENSIONS ARE IN MILLIMETRES
- THE TERMINAL #1 IDENTIFIER AND TERMINAL NUMBERING CONVENTION SHALL CONFORM TO JESD 95-1 SPP-002.
- COPLANARITY APPLIES TO THE EXPOSED HEAT SINK SLUG AS WELL AS THE TERMINALS.
- THIS DRAWING IS SUBJECT TO CHANGE WITHOUT NOTICE.
- REFER TO APPLICATION NOTE WAN\_0118 FOR FURTHER INFORMATION REGARDING PCB FOOTPRINTS AND QFN PACKAGE SOLDERING.

---

**IMPORTANT NOTICE**

---

**Contacting Cirrus Logic Support**

For all product questions and inquiries, contact a Cirrus Logic Sales Representative.

To find one nearest you, go to [www.cirrus.com](http://www.cirrus.com).

---

For the purposes of our terms and conditions of sale, "Preliminary" or "Advanced" datasheets are non-final datasheets that include but are not limited to datasheets marked as "Target", "Advance", "Product Preview", "Preliminary Technical Data" and/or "Pre-production." Products provided with any such datasheet are therefore subject to relevant terms and conditions associated with "Preliminary" or "Advanced" designations. The products and services of Cirrus Logic International (UK) Limited; Cirrus Logic, Inc.; and other companies in the Cirrus Logic group (collectively either "Cirrus Logic" or "Cirrus") are sold subject to Cirrus Logic's terms and conditions of sale supplied at the time of order acknowledgment, including those pertaining to warranty, indemnification, and limitation of liability. Software is provided pursuant to applicable license terms. Cirrus Logic reserves the right to make changes to its products and specifications or to discontinue any product or service without notice. Customers should therefore obtain the latest version of relevant information from Cirrus Logic to verify that the information is current and complete. Testing and other quality control techniques are utilized to the extent Cirrus Logic deems necessary. Specific testing of all parameters of each device is not necessarily performed. In order to minimize risks associated with customer applications, the customer must use adequate design and operating safeguards to minimize inherent or procedural hazards. Cirrus Logic is not liable for applications assistance or customer product design. The customer is solely responsible for its selection and use of Cirrus Logic products. Use of Cirrus Logic products may entail a choice between many different modes of operation, some or all of which may require action by the user, and some or all of which may be optional. Nothing in these materials should be interpreted as instructions or suggestions to choose one mode over another. Likewise, description of a single mode should not be interpreted as a suggestion that other modes should not be used or that they would not be suitable for operation. Features and operations described herein are for illustrative purposes only.

CERTAIN APPLICATIONS USING SEMICONDUCTOR PRODUCTS MAY INVOLVE POTENTIAL RISKS OF DEATH, PERSONAL INJURY, OR SEVERE PROPERTY OR ENVIRONMENTAL DAMAGE ("CRITICAL APPLICATIONS"). CIRRUS LOGIC PRODUCTS ARE NOT DESIGNED, AUTHORIZED OR WARRANTED FOR USE IN PRODUCTS SURGICALLY IMPLANTED INTO THE BODY, AUTOMOTIVE SAFETY OR SECURITY DEVICES, NUCLEAR SYSTEMS, LIFE SUPPORT PRODUCTS OR OTHER CRITICAL APPLICATIONS. INCLUSION OF CIRRUS LOGIC PRODUCTS IN SUCH APPLICATIONS IS UNDERSTOOD TO BE FULLY AT THE CUSTOMER'S RISK AND CIRRUS LOGIC DISCLAIMS AND MAKES NO WARRANTY, EXPRESS, STATUTORY OR IMPLIED, INCLUDING THE IMPLIED WARRANTIES OF MERCHANTABILITY AND FITNESS FOR PARTICULAR PURPOSE, WITH REGARD TO ANY CIRRUS LOGIC PRODUCT THAT IS USED IN SUCH A MANNER. IF THE CUSTOMER OR CUSTOMER'S CUSTOMER USES OR PERMITS THE USE OF CIRRUS LOGIC PRODUCTS IN CRITICAL APPLICATIONS, CUSTOMER AGREES, BY SUCH USE, TO FULLY INDEMNIFY CIRRUS LOGIC, ITS OFFICERS, DIRECTORS, EMPLOYEES, DISTRIBUTORS AND OTHER AGENTS FROM ANY AND ALL LIABILITY, INCLUDING ATTORNEYS' FEES AND COSTS, THAT MAY RESULT FROM OR ARISE IN CONNECTION WITH THESE USES.

This document is the property of Cirrus Logic and by furnishing this information, Cirrus Logic grants no license, express or implied, under any patents, mask work rights, copyrights, trademarks, trade secrets or other intellectual property rights. Any provision or publication of any third party's products or services does not constitute Cirrus Logic's approval, license, warranty or endorsement thereof. Cirrus Logic gives consent for copies to be made of the information contained herein only for use within your organization with respect to Cirrus Logic integrated circuits or other products of Cirrus Logic, and only if the reproduction is without alteration and is accompanied by all associated copyright, proprietary and other notices and conditions (including this notice). This consent does not extend to other copying such as copying for general distribution, advertising or promotional purposes, or for creating any work for resale. This document and its information is provided "AS IS" without warranty of any kind (express or implied). All statutory warranties and conditions are excluded to the fullest extent possible. No responsibility is assumed by Cirrus Logic for the use of information herein, including use of this information as the basis for manufacture or sale of any items, or for infringement of patents or other rights of third parties. Cirrus Logic, Cirrus, the Cirrus Logic logo design, and SoundClear are among the trademarks of Cirrus Logic. Other brand and product names may be trademarks or service marks of their respective owners.

Copyright © 2008–2016 Cirrus Logic, Inc. All rights reserved.

---

**REVISION HISTORY**

DATE	REV	ORIGINATOR	CHANGES	PAGE
13/10/08	3.3	BK	Corrected pin numbers for GPIO6 and GPIO8	114
	3.3	BK	Added note with power-down sequence for VXDAC (see CE000296)	42
24/12/09	3.3	BK	Added AUXDAC THD/SNR min/typ specs	
03/08/10	3.3	SS	Made changes to 'Thermal Sensor' section and Table 40 to correct and clarify.	60
30/08/10	3.3	SS	Added note in Table 62 'GPIO Control' to exclude Thermal Sensor from polarity description and refer to Table 40 'Thermal Shutdown Control'.	86
13/10/11	3.3	JMacD	Order codes updated from WM9713LGEFL/RV and WM9713LGEFL/RV to WM9713CLGEFL/RV and WM9713CLGEFL/RV to reflect change to copper wire bonding	4
13/10/11	3.3	JMacD	Package Diagram changed to DM103.A	136
19/12/16	4.0	PH	Updated to Cirrus Logic template	