

IEC Appliance Inlet C8, Snap-in Mounting, Front Side, PCB terminals



Snap-in version



Description

- Panel Mount :
Snap-in version , from front side
- 1 Function
- Appliance Inlet , Pin temperature 70 °C , Protection class II
- PCB

Approvals

- UL File Number: E96454
- CSA File Number: 73165
- CCC File Number: 2011010204483971

Characteristics

- Contact pins rolled

Weblinks

[pdf datasheet](#), [html-datasheet](#), [General Product Information](#), [RoHS](#), [CHINA-RoHS](#), [REACH](#), [Distributor-Stock-Check](#), [Accessories](#), [Detailed request for product](#)

Technical Data

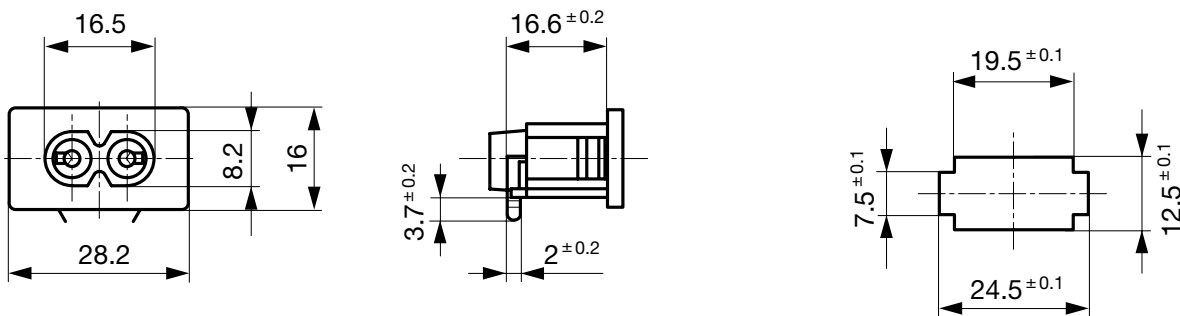
| | |
|---------------------------------|--|
| Ratings IEC | 2.5 A / 250 VAC; 50 Hz |
| Ratings UL/CSA | 2.5 A / 250 VAC; 60 Hz |
| Dielectric Strength | > 2 kVAC between L-N (1 min/50 Hz) |
| Allowable Operation Temperature | -25 °C to 70 °C |
| IP-Protection | from front side IP 40 acc. to IEC 60529 |
| Insulation cover | Suitable for appliances with protection class II acc. to IEC 61140 |
| Terminal | PCB terminals |
| Panel Thickness s | Snap-in from 0.8 - 1.2 mm |
| Material: Housing | Thermoplastic, black, UL 94V-0 |

| | |
|-------------------------|--|
| appliance inlet/-outlet | C8 acc. to IEC 60320-1, UL 498, CSA C22.2 no. 42 (for cold conditions) pin-temperature 70 °C, 2.5 A, Protection Class II |
|-------------------------|--|

Detailed information on product approvals, code requirements, usage instructions and detailed test conditions can be looked up in [General Product Information](#)

Dimensions

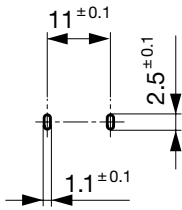
0721-PP



Solder terminals for PCB

Drilling diagrams

PCB Layout



All Variants

| Type | Panel mounting | Panel Thickness s [mm] | Terminal | Order Number |
|---------|----------------|------------------------|---------------|--------------|
| 0721-PP | Snap-in | 0.8 - 1.2 | PCB terminals | 4300.0099 |

Most Popular.

Availability for all products can be searched real-time: <http://www.schurter.com/en/Stock-Check/Stock-Check-SCHURTER>

Packaging unit 100 Pcs

Mating Outlets/Connectors

Category / Description

Power Cord Overview complete



| | |
|---|-----------|
| Cord Sets 2.5 A, IEC Connector, Black, 2.0 m, H03VH2-F 2x0,75mm ² , Connector IEC C7, 001500 mm, H03VH2-F2G0.75, black | 6013.0474 |
| Cord Sets 2.5 A, IEC Connector, Black, 4.0 m, H03VH2-F 2x0,75mm ² , Connector IEC C7, 001500 mm, H05VH2-F2G0.75, black | 6013.0478 |
| Kabelverbindung/2.5, IEC Connector, Black, 2.0 m, H03VH2-F 2x0,75mm ² , Connector IEC C7, 001500 mm, H03VH2-F2G0.75, black | 6051.0015 |

[Power Cord further types to 0721-PP](#)

Power Supply Cord Overview complete



| | |
|--|-----------|
| Cord Sets 2.5 A, North America, Black, 2.0 m, SVT 2x18AWG, Connector IEC C7, 002500 mm, NISPT-2, black | 6010.5274 |
| Cord Sets 2.5 A, North America, Black, 4.0 m, SVT 2x18AWG, Connector IEC C7, 002500 mm, NISPT-2, black | 6010.5278 |
| Kabelverbindung/2.5, North America, Black, 2.5 SVT 2x18AWG, IEC C7, 002500 mm, SVT 2x18 AWG, black | 6051.0018 |

[Power Supply Cord further types to 0721-PP](#)