

**Technical Data Sheet****Top LEDs with Lens****67-23BUTC/TR8****Features**

- P-LCC-2 package.
- High flux output.
- Optical indicator.
- Colorless clear window.
- Ideal for backlight and light pipe application.
- Inter reflector.
- Suitable for automatic placement equipment.
- Suitable for reflow and wave solder processes.
- Available on tape and reel (12mm Tape).
- Pb-free.
- The product itself will remain within RoHS compliant version.

**Descriptions**

- The 67-23B series is available in soft orange, green, blue and yellow. Due to the package design, the LED has wide viewing angle and optimized light coupling by inter reflector. This feature makes the ideal for light pipe application. The low current requirement makes this device ideal for portable equipment or any other application where power is at a premium.

**Applications**

- Amusement equipment.
- Information boards.
- Flashlight for digital camera of cellular phone.
- Telecommunication: indicator and backlighting in telephone and fax.
- Flat backlight for LCD's, switches and symbols.
- Light pipe application.
- General use.

**Device Selection Guide**

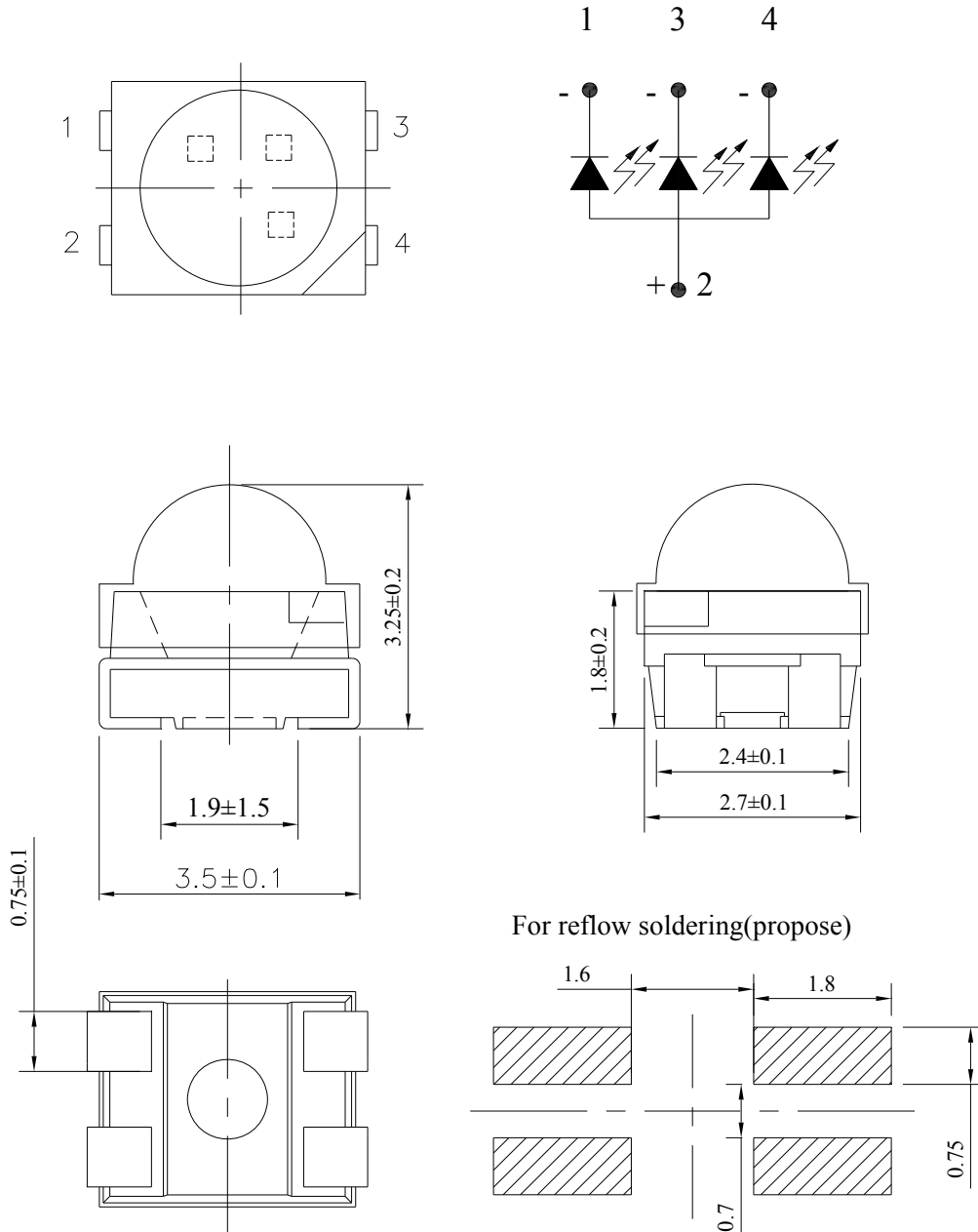
Chip	Emitted Color	Resin Color
Material		
InGaN	White	Water Clear

**Technical Data Sheet**

**Top LEDs with Lens**

**67-23BUTC/TR8**

**Package Dimensions**



**Note:** The tolerances unless mentioned is  $\pm 0.1$ mm; Unit = mm

**Technical Data Sheet****Top LEDs with Lens****67-23BUTC/TR8****Absolute Maximum Ratings (Ta=25°C) \*1**

Parameter	Symbol	Rating	Unit
Reverse Voltage	V <sub>R</sub>	5	V
Forward Current	I <sub>F</sub>	30	mA
Peak Forward Current (Duty 1/10 @1KHz)	I <sub>FP</sub>	100	mA
Power Dissipation	P <sub>d</sub>	110	mW
Electrostatic Discharge	ESD	2000	V
Operating Temperature	Topr	-40 ~ +85	°C
Storage Temperature	Tstg	-40 ~ +90	°C
Soldering Temperature	Tsol	Reflow Soldering : 260 °C for 10 sec. Hand Soldering : 350 °C for 3 sec.	

\* 1. The value are based on 1 die performance

**Electro-Optical Characteristics (Ta=25°C)**

Parameter	Symbol	Min.	Typ.	Max.	Units	Condition
Luminous Intensity* <sup>1</sup>	I <sub>v</sub>	1600	--	2850	mcd	I <sub>F</sub> =20mA * <sup>2</sup>
Viewing Angle * <sup>2</sup>	2θ <sub>1/2</sub>	--	60	--	deg	I <sub>F</sub> =20mA * <sup>2</sup>
Forward Voltage * <sup>2</sup>	V <sub>F</sub>	--	--	3.95	V	I <sub>F</sub> =20mA * <sup>2</sup>
Reverse Current * <sup>2</sup>	I <sub>R</sub>	--	--	50	μA	V <sub>R</sub> =5V

\*1. When three LED dies are operated simultaneously.

\*2. For each die.

**Note:**

1.Tolerance of Luminous Intensity: ±11%

2.Tolerance of Forward Voltage: ±0.1V

**Technical Data Sheet**

**Top LEDs with Lens**

**67-23BUTC/TR8**

**Bin Range of Chromaticity Coordinates\*1**

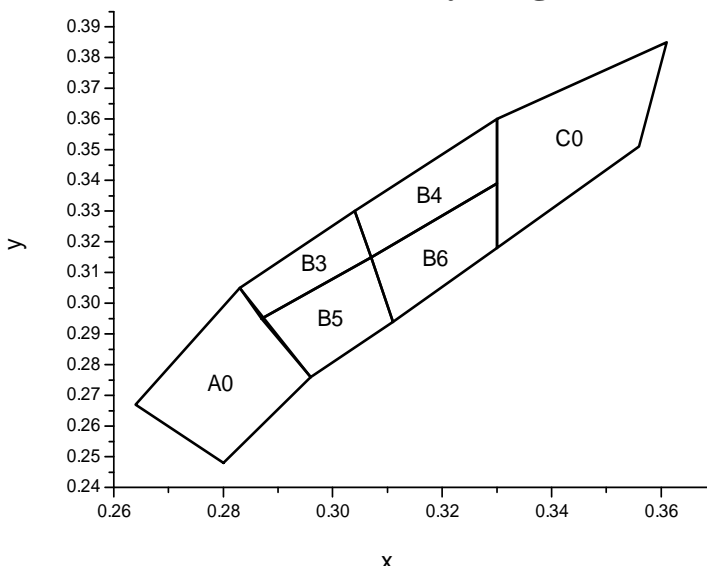
$I_F=20mA$

Bin Code	CIE_x	CIE_y	Bin Code	CIE_x	CIE_y
<b>A0</b>	0.2800	0.2480	<b>B5</b>	0.2960	0.2760
	0.2640	0.2670		0.2870	0.2950
	0.2830	0.3050		0.3070	0.3150
	0.2960	0.2760		0.3110	0.2940
<b>B3</b>	0.2870	0.2950	<b>B6</b>	0.3110	0.2940
	0.2830	0.3050		0.3070	0.3150
	0.3040	0.3300		0.3300	0.3390
	0.3070	0.3150		0.3300	0.3180
<b>B4</b>	0.3070	0.3150	<b>C0</b>	0.3300	0.3180
	0.3040	0.3300		0.3300	0.3600
	0.3300	0.3600		0.3610	0.3850
	0.3300	0.3390		0.3560	0.3510

\*1. When three LED dies are operated simultaneously.

**Notes:** Tolerance of Chromaticity Coordinates :  $\pm 0.01$

**The C.I.E. 1931 Chromaticity Diagram**

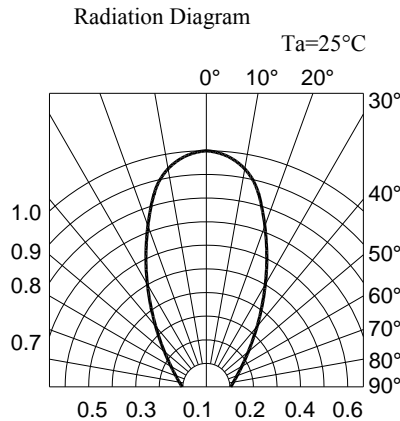
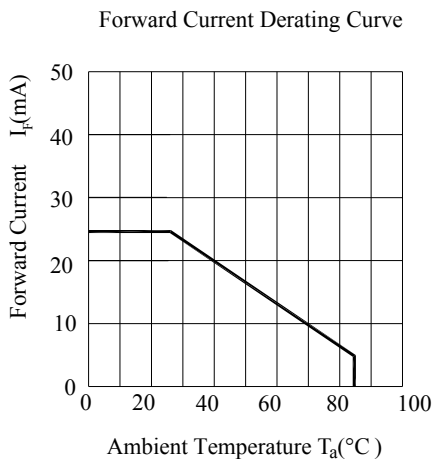
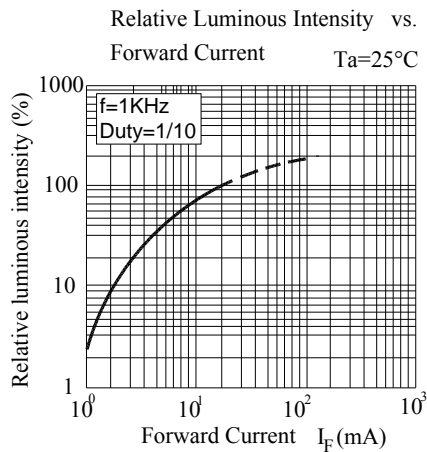
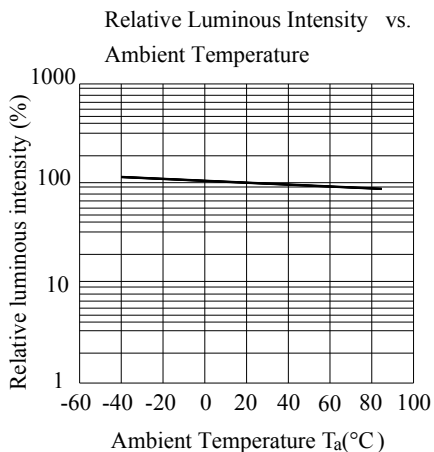
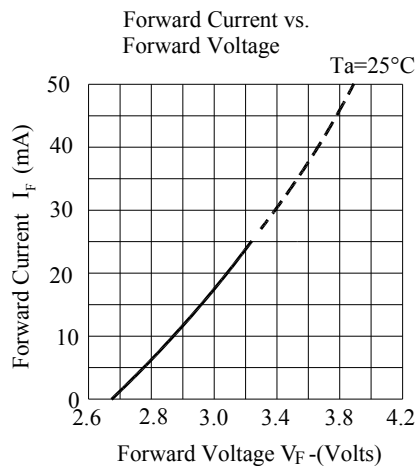
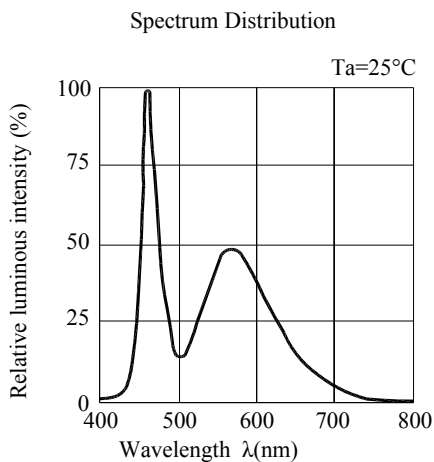


**Technical Data Sheet**

**Top LEDs with Lens**

**67-23BUTC/TR8**

**Typical Electro-Optical Characteristics Curves**





LIGHTING FOREVER

Technical Data Sheet

Top LEDs with Lens

67-23BUTC/TR8

Label Explanation

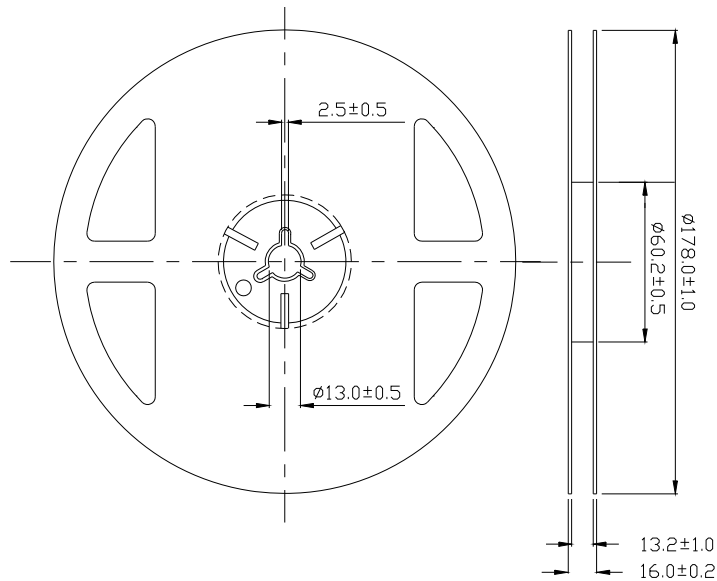
CAT: Luminous Intensity Rank

HUE: Chromaticity Coordinates

REF: Forward Voltage Rank



Reel Dimensions



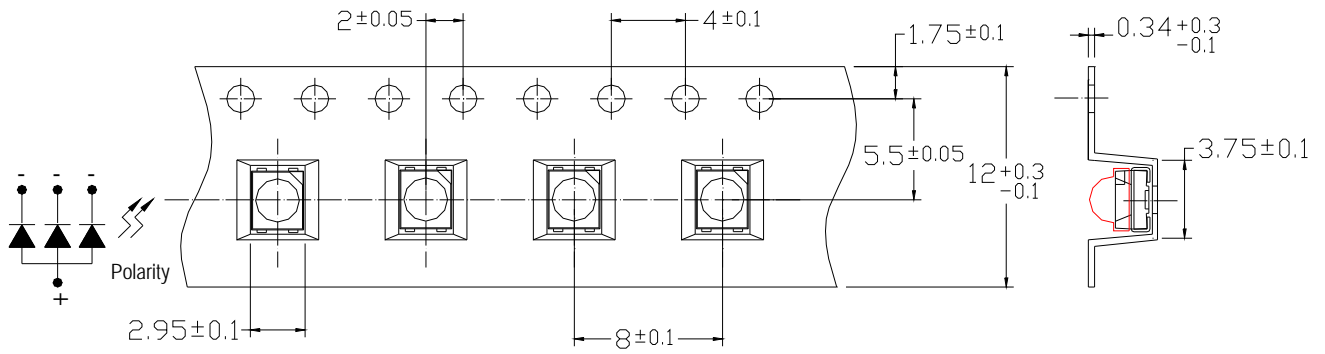
Note: The tolerances unles;

**Technical Data Sheet**

**Top LEDs with Lens**

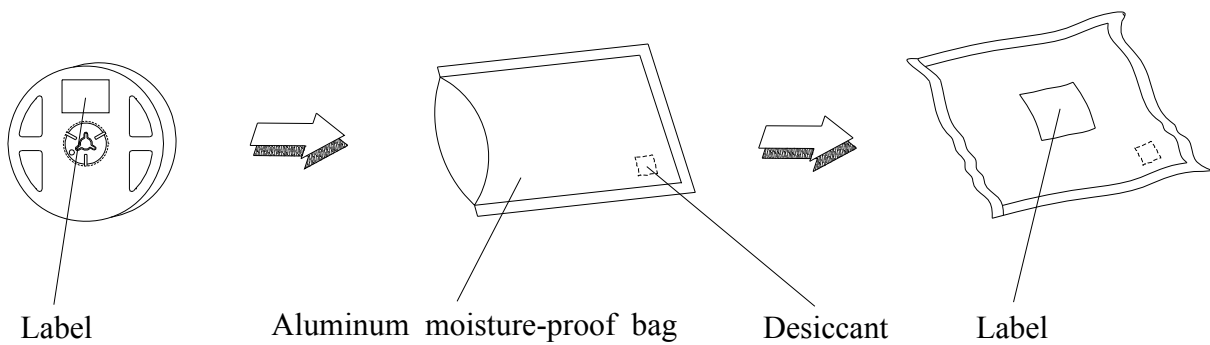
**67-23BUTC/TR8**

**Carrier Tape Dimensions: Loaded Quantity 500 pcs Per Reel.**



**Note:** The tolerances unless mentioned is  $\pm 0.1$ mm; Unit = mm

**Moisture Resistant Packaging**



**Technical Data Sheet****Top LEDs with Lens****67-23BUTC/TR8****Reliability Test Items and Conditions**

The reliability of products shall be satisfied with items listed below.

Confidence level : 90%

LTPD : 10%

No.	Items	Test Condition	Test Hours/Cycles	Sample Size	Ac/Re
1	Reflow Soldering	Temp. : 260°C±5°C Min. 5sec.	6 Min.	22 PCS.	0/1
2	Temperature Cycle	H : +100°C 15min ↓ 5 min L : -40°C 15min	300 Cycles	22 PCS.	0/1
3	Thermal Shock	H : +100°C 5min ↓ 10 sec L : -10°C 5min	300 Cycles	22 PCS.	0/1
4	High Temperature Storage	Temp. : 100°C	1000 Hrs.	22 PCS.	0/1
5	Low Temperature Storage	Temp. : -40°C	1000 Hrs.	22 PCS.	0/1
6	DC Operating Life	I <sub>F</sub> = 20 mA	1000 Hrs.	22 PCS.	0/1
7	High Temperature / High Humidity	85°C / 85%RH	1000 Hrs.	22 PCS.	0/1



**Technical Data Sheet****Top LEDs with Lens****67-23BUTC/TR8****Precautions for Use**

## 1. Over-current-proof

Customer must apply resistors for protection, otherwise slight voltage shift will cause big current change ( Burn out will happen ).

## 2. Storage

2.1 Do not open moisture proof bag before the products are ready to use.

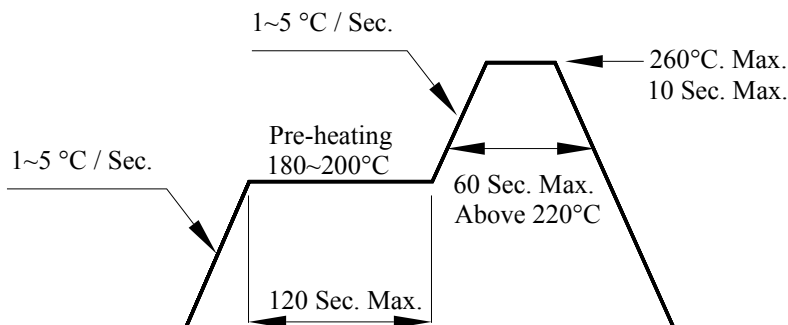
2.2 Before opening the package: The LEDs should be kept at 30°C or less and 90%RH or less.

2.3 After opening the package: The LED's floor life is 1 year under 30°C or less and 60% RH or less. If unused LEDs remain, it should be stored in moisture proof packages.

2.4 If the moisture absorbent material (silica gel) has faded away or the LEDs have exceeded the storage time, baking treatment should be performed using the following conditions. Baking treatment : 60±5°C for 24 hours.

## 3. Soldering Condition

## 3.1 Pb-free solder temperature profile



3.2 Reflow soldering should not be done more than two times.

3.3 When soldering, do not put stress on the LEDs during heating.

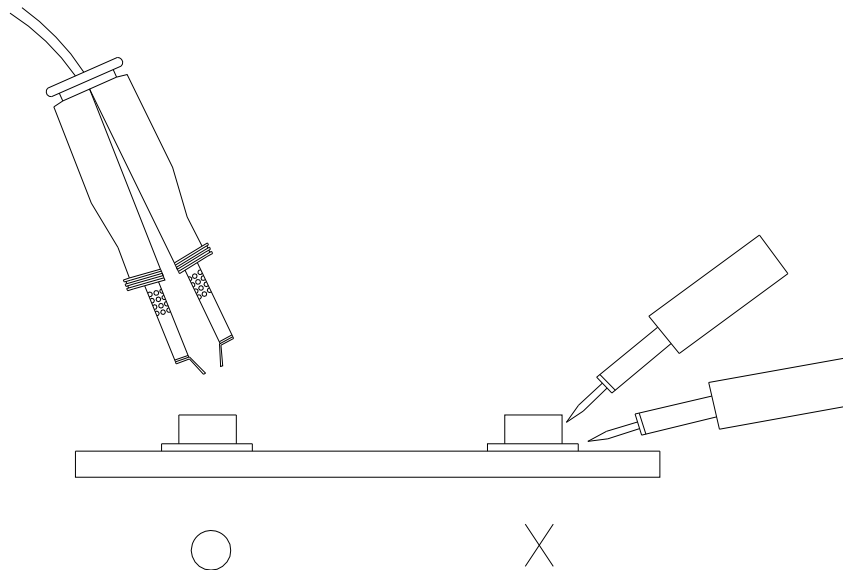
3.4 After soldering, do not warp the circuit board.

**Technical Data Sheet****Top LEDs with Lens****67-23BUTC/TR8****4. Soldering Iron**

Each terminal is to go to the tip of soldering iron temperature less than 350°C for 3 seconds within once in less than the soldering iron capacity 25W. Leave two seconds and more intervals, and do soldering of each terminal. Be careful because the damage of the product is often started at the time of the hand solder.

**5. Repairing**

Repair should not be done after the LEDs have been soldered. When repairing is unavoidable, a double-head soldering iron should be used (as below figure). It should be confirmed beforehand whether the characteristics of the LEDs will or will not be damaged by repairing.



**EVERLIGHT ELECTRONICS CO., LTD.**  
Office: No 25, Lane 76, Sec 3, Chung Yang Rd,  
Tucheng, Taipei 236, Taiwan, R.O.C

Tel: 886-2-2267-2000, 2267-9936  
Fax: 886-2267-6244, 2267-6189, 2267-6306  
<http://www.everlight.com>