

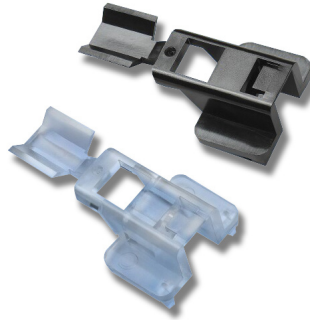
**ADNS-2220**  
**Solid-State Optical Mouse**  
**LED Assembly Clip**



**Data Sheet**



Lead (Pb) Free  
 RoHS 6 fully  
 compliant



**Description**

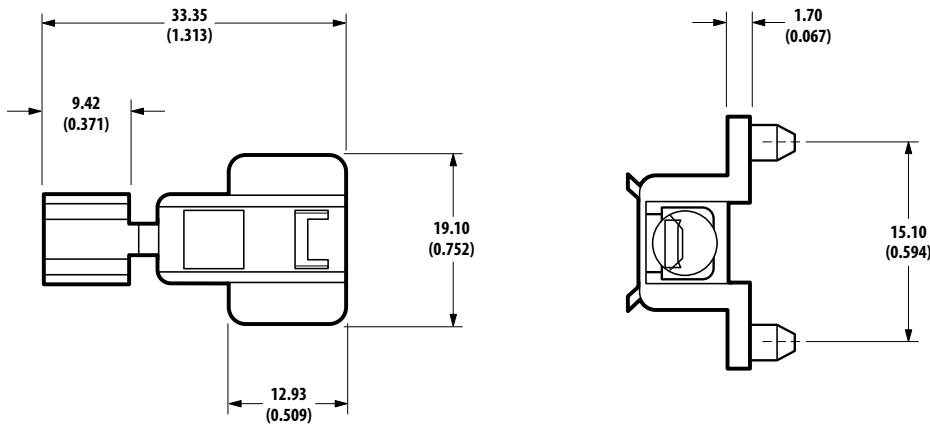
The ADNS-2220 and ADNS-2220-001 LED Assembly Clip is designed to provide optical and mechanical coupling of a standard T 1<sup>3</sup>/<sub>4</sub> (5 mm diameter) LED to the ADNS-2120/2120-001/3120-001 Solid State Optical Mouse Lens. This coupling is essential to achieve the proper illumination required for the sensor to operate on a wide variety of surfaces. The clip also provides a mechanical compression feature which locates over these lens options and is used to ensure that a light mechanical contact is always maintained between the sensor and the lens when assembled. The inner surface of the top case of the mouse housing should be designed to lightly compress this feature when the case is closed at final assembly.

**Ordering Information**

Specify Part Number as follows:

Color	Part Number	Material
Black	ADNS-2220	Polymer
Clear	ADNS-2220-001	Polymer

**Package Dimensions**



NOTE: DIMENSIONS IN MILLIMETERS (INCHES).

For product information and a complete list of distributors, please go to our website: [www.avagotech.com](http://www.avagotech.com)

Avago, Avago Technologies, and the A logo are trademarks of Avago Technologies in the United States and other countries.

Data subject to change. Copyright © 2005-2008 Avago Technologies. All rights reserved. Obsoletes 5989-1239EN

AV02-1515EN - September 9, 2008