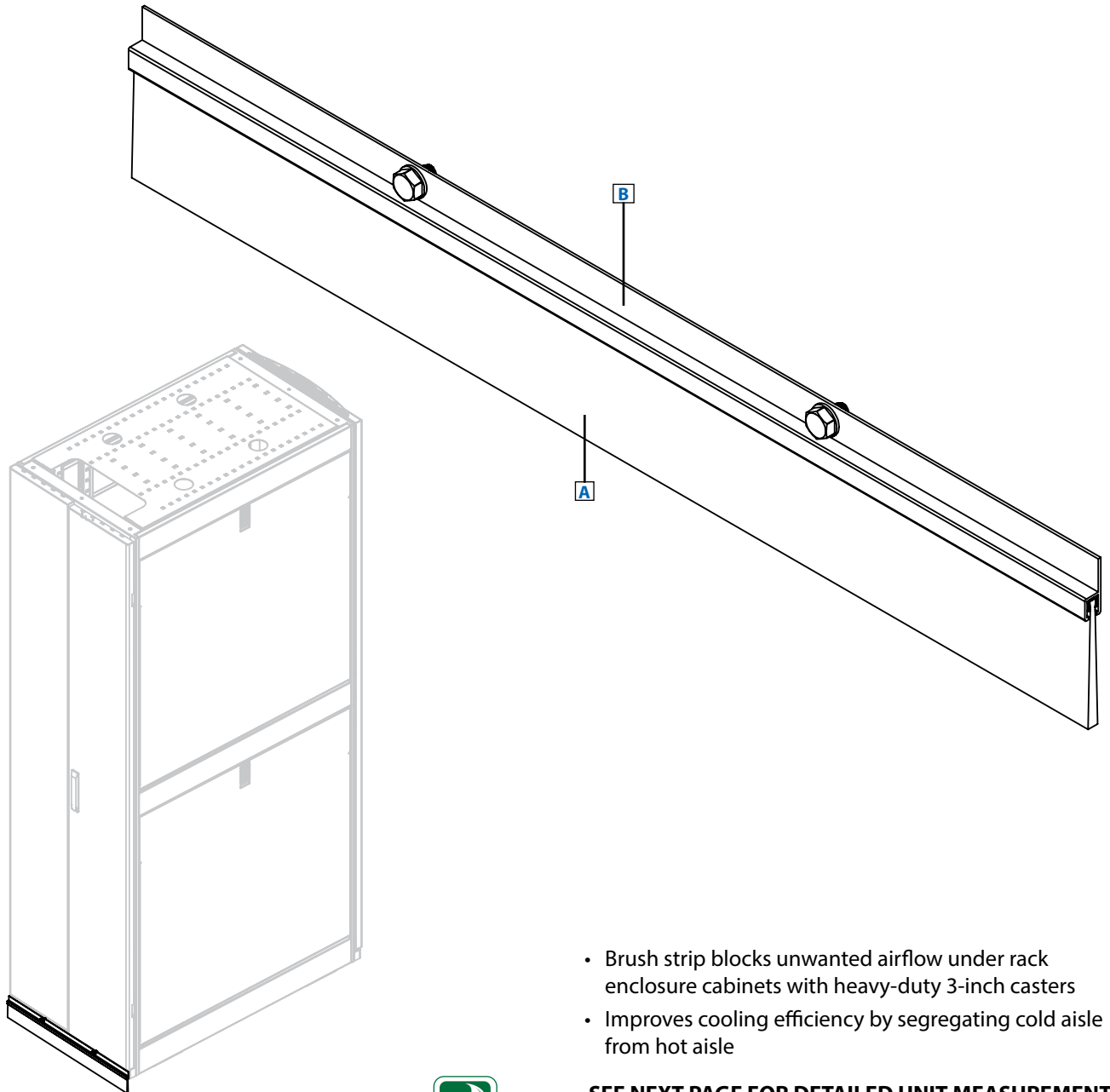


MODEL:

# SRSKIRT3

## SmartRack® Rack Enclosure Cabinet 3" Skirt Kit

- A** 2.75" Brush Bristles
- B** Metal Spine with Mounting Holes



- Brush strip blocks unwanted airflow under rack enclosure cabinets with heavy-duty 3-inch casters
- Improves cooling efficiency by segregating cold aisle from hot aisle

**SEE NEXT PAGE FOR DETAILED UNIT MEASUREMENTS**

### Specifications

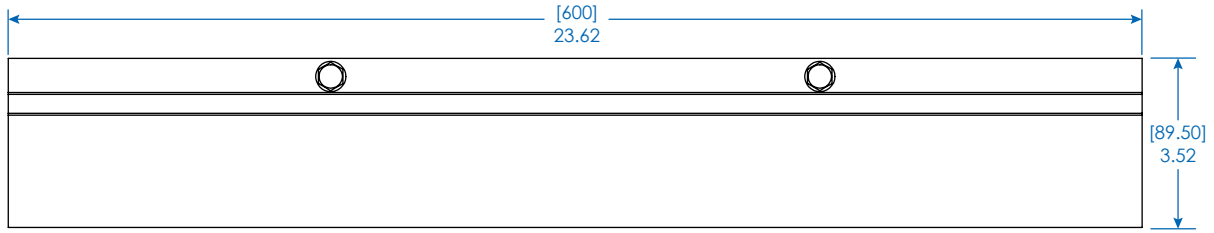
Model	SRSKIRT3
Unit Dimensions (H x W x D)	3.5 x 23.6 x 0.4 in. / 89 x 600 x 10 mm
Shipping Dimensions (H x W x D)	1 x 24.6 x 4.2 in. / 25 x 625 x 107 mm
Unit Weight	1.6 lb. / 0.7 kg
Shipping Weight	2.2 lb. / 1 kg

Tripp Lite has a policy of continuous improvement. Specifications are subject to change without notice.



**TRIPP·LITE**

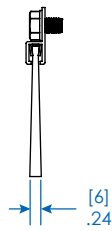
1111 W. 35th Street  
Chicago, IL 60609 USA  
773.869.1234  
www.tripplite.com



FRONT VIEW



TOP VIEW



SIDE VIEW

MODEL:  
**SRSKIRT3**  
**TRIPP·LITE**

1111 W. 35th Street  
 Chicago, IL 60609 USA  
 773.869.1234  
 www.tripplite.com

Dimensions: [mm] INCHES

Tripp Lite has a policy of continuous improvement. Specifications are subject to change without notice.