

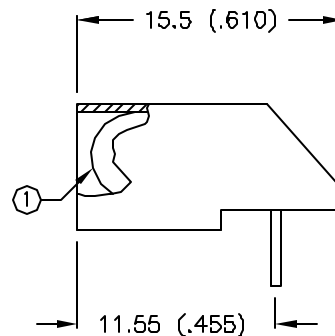
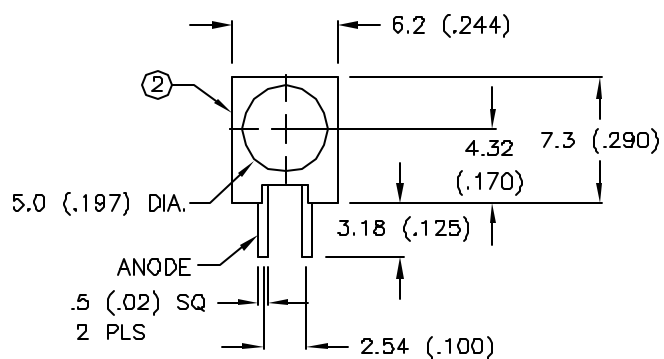
DATE

REVISIONS

REV

DRAWING NUMBER
SSF-LXH1071GD

REV

ELECTRO-OPTICAL CHARACTERISTICS TA=25 °C I_f=20mA

PARAMETER	MIN	TYP	MAX	UNITS	TEST COND
PEAK WAVELENGTH		565 (GREEN)		nm	
FORWARD VOLTAGE		2.1	2.8	V _f	
REVERSE VOLTAGE	5.0			V _r	I _r =100μA
AXIAL INTENSITY		20.0		mcd	I _f =20mA
VIEWING ANGLE		80		2x theta	
EMITTED COLOR:	GREEN				
EPOXY LENS FINISH:	GREEN DIFFUSED				

LIMITS OF SAFE OPERATION AT 25 DEG. C

PARAMETER	MAX	UNITS
PEAK FORWARD CURRENT*	155	mA
STEADY CURRENT	30	mA
POWER DISSIPATION	110	mW
DERATE FROM 25 °C	-1.2	mW/°C
OPERATING, STORAGE TEMP.	-55 TO +100	°C
LEAD SOLDERING TEMP.	+260	°C
1.6mm FROM BODY		5 SEC. MAX

* t<10μS

NOTES:

1. SSL-LX509F3GD LED.
2. SSH-LXH1071 WHITE HOLDER.
3. TOLERANCE: +/-0.25 (+/-0.010).

RELIABILITY NOTE:

OUR MANY YEARS OF EXPERIENCE DATA ACCUMULATION INDICATE THAT SOLDER HEAT IS A MAJOR CAUSE OF EARLY AND FUTURE FAILURE. PLEASE PAY ATTENTION TO YOUR SOLDERING PROCESS.

FXH107AD

LUMEX
OPTO COMPONENTS INC.

292 E. HELLEN ROAD
PALATINE, ILLINOIS 60067
(708) 359-2790

DATE: 9-1-93

APPROVED BY:

DRAWN BY:

SCALE: N/A

T-5 (T-1 3/4) RIGHT ANGLE FAULT INDICATOR, GREEN DIFFUSED

PAGE 1 OF 1

DRAWING NUMBER

SSF-LXH1071GD

REV