



- MICRO FORM FACTOR
- DIGI TRUSTFENCE® SECURED
- MICROPYTHON PROGRAMMABLE

1/3 THE SIZE
OF CURRENT
DIGI XBEE SMT



DIGI XBEE³ DIGIMESH 2.4

Wireless connectivity using the innovative and easy-to-deploy DigiMesh protocol.

Digi XBee3™ modules accelerate time to market for designers, OEMs and solution providers by quickly enabling wireless connectivity and easy-to-add functionality. Building on industry-leading technology, pre-certified Digi XBee3 modules offer the flexibility to switch between multiple frequencies and wireless protocols as needed.

These modules use the DigiMesh® networking protocol using a globally deployable 2.4 GHz transceiver. This peer-to-peer mesh network offers users added network stability through self-healing, dense network operation, extending the operational life of battery dependent networks and provides an upgrade path to IEEE 802.15.4 or ZigBee® mesh protocols, if desired.

With Digi Remote Manager®, Digi XBee3 modules can be easily configured and controlled from a simple, central platform. Built-in Digi TrustFence® security, identity and data privacy features use more than 175 controls to protect against new and evolving cyber threats. MicroPython and XCTU software tools simplify adding functionality, configuration and testing.

From edge computing to future migration, Digi XBee modules offer size, weight, power and performance advantages ideal for scalable device connectivity. A versatile addition to the expanding Digi XBee Ecosystem of wireless modules, adapters and software, the Digi XBee3 series is engineered to accelerate development and deployment.

SIZE AND FLEXIBILITY

- At 13 mm x 19 mm, the new Digi XBee3 micro form factor allows for more compact and portable applications
- Digi XBee3 is one module for all protocols including: ZigBee, 802.15.4, DigiMesh, and BLE, all configurable via Digi XCTU

PROGRAMMABILITY

- Eliminate the need for an external microcontroller and create smart end nodes and low-end gateways using MicroPython

SECURITY

- Intrinsic IoT security with Digi TrustFence®, a layered approach securing the edge device, through the gateway, into and out of the IoT

RELATED PRODUCTS AND SERVICES



Development Kits



Digi XCTU



Digi TrustFence®

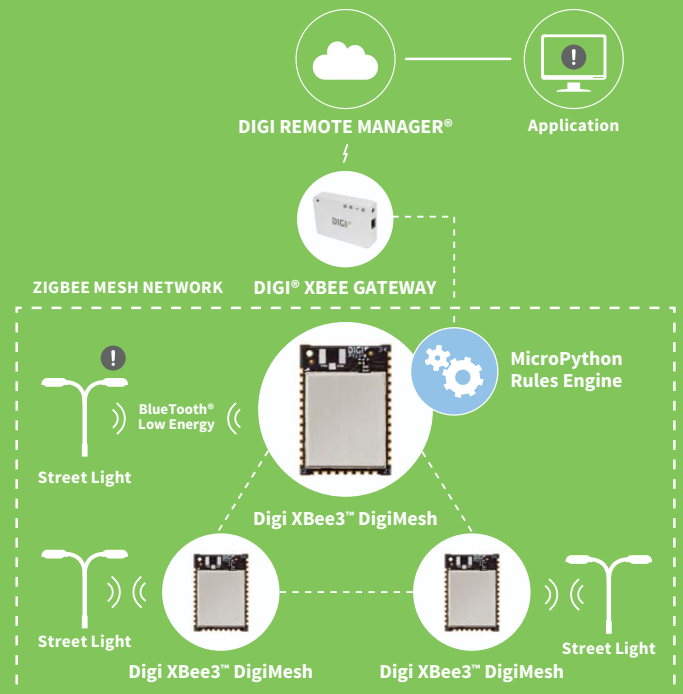


Digi Remote Manager®



Digi Design Services

APPLICATION EXAMPLE



SPECIFICATIONS

Digi XBee3™ DigiMesh

Digi XBee3™ DigiMesh PRO

PERFORMANCE

| | | |
|---------------------------------|----------------------------------|------------------------|
| DATA RATE | RF 250 Kbps, Serial up to 1 Mbps | |
| INDOOR/URBAN RANGE* | Up to 200 ft (60 m) | Up to 300 ft (90 m) |
| OUTDOOR/RF LINE-OF-SIGHT RANGE* | Up to 4000 ft (1200 m) | Up to 2 miles (3200 m) |
| TRANSMIT POWER | +8 dBm | +19 dBm |
| RECEIVER SENSITIVITY (1% PER) | -103 dBm Normal Mode | |

FEATURES

| | |
|------------------------|---|
| SERIAL DATA INTERFACE | UART, SPI, I ² C |
| CONFIGURATION METHOD | API or AT commands, local or over-the-air (OTA) |
| FREQUENCY BAND | ISM 2.4 GHz |
| FORM FACTOR | Micro |
| INTERFERENCE IMMUNITY | DSSS (Direct Sequence Spread Spectrum) |
| ADC INPUTS | (4) 10-bit ADC inputs |
| DIGITAL I/O | 15 |
| ANTENNA OPTIONS | Micro: U.FL Antenna, RF Pad, Chip Antenna |
| OPERATING TEMPERATURE | -40° C to +85° C |
| DIMENSIONS (L X W X H) | Micro: 0.533 x 0.76 x 0.087 in (13 x 19 x 2 mm) |

PROGRAMMABILITY

| | |
|-----------------|-------------------------|
| MEMORY | 1 MB / 128 KB RAM |
| CPU/CLOCK SPEED | HCS08 / up to 50.33 MHz |

NETWORKING AND SECURITY

| | |
|--------------------------|--|
| PROTOCOL | 802.15.4 |
| ENCRYPTION | 128/256 bit AES |
| RELIABLE PACKET DELIVERY | Retries/Acknowledgements |
| IDS | PAN ID and addresses, cluster IDs and endpoints (optional) |
| CHANNELS | 16 channels |

POWER REQUIREMENTS

| | | |
|--------------------|------------------------------|-----------------|
| SUPPLY VOLTAGE | 2.1 to 3.6V | |
| TRANSMIT CURRENT | 40 mA @ 8 dBm | |
| RECEIVE CURRENT | 15 mA | 135 mA @ 19 dBm |
| POWER-DOWN CURRENT | 1.7 micro Amp @ 25 degrees C | |

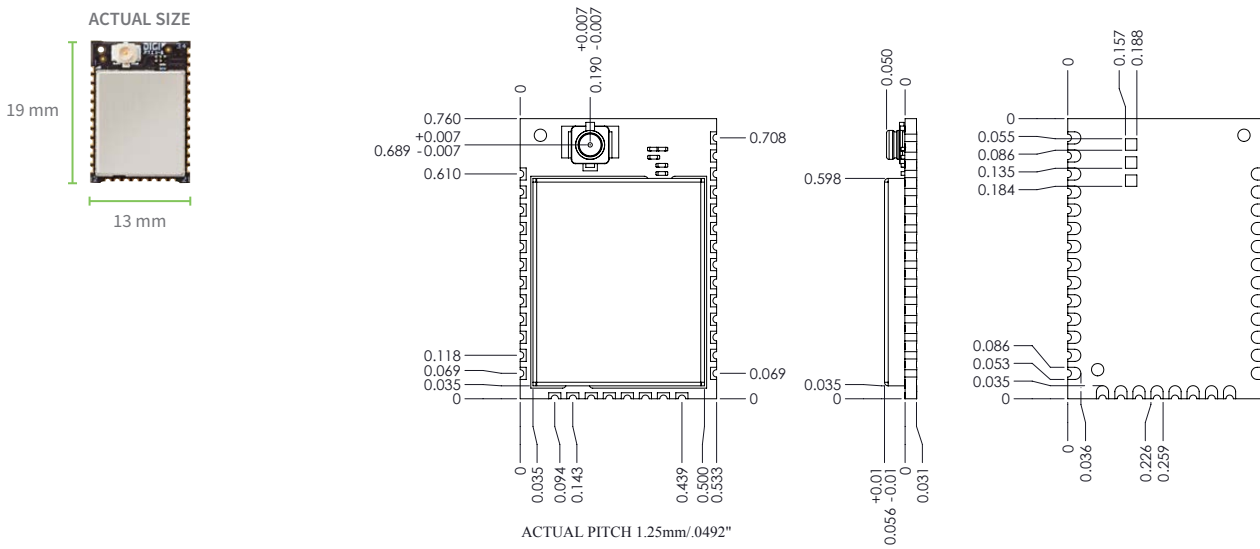
REGULATORY APPROVALS

| | | |
|-------------------------|-----|-----|
| FCC, IC (NORTH AMERICA) | Yes | Yes |
| ETSI (EUROPE) | Yes | No |

*Range figure estimates are based on free-air terrain with limited sources of interference. Actual range will vary based on transmitting power, orientation of transmitter and receiver, height of transmitting antenna, height of receiving antenna, weather conditions, interference sources in the area, and terrain between receiver and transmitter, including indoor and outdoor structures such as walls, trees, buildings, hills, and mountains.

| PART NUMBERS | DESCRIPTION |
|--------------|---|
| XB3-24DMRM-J | Digi XBee3, 2.4 Ghz, DigiMesh, Micro, RF Pad Ant, MMT |
| XB3-24DMUM-J | Digi XBee3, 2.4 Ghz, DigiMesh, Micro, U.FL Ant, MMT |
| XB3-24DMCM-J | Digi XBee3, 2.4 Ghz, DigiMesh, Micro, Chip Ant, MMT |
| XB3-24DMRM | Digi XBee3 PRO, 2.4 Ghz, DigiMesh, Micro, RF Pad Ant, MMT |
| XB3-24DMUM | Digi XBee3 PRO, 2.4 Ghz, DigiMesh, Micro, U.FL Ant, MMT |
| XB3-24DMCM | Digi XBee3 PRO, 2.4 Ghz, DigiMesh, Micro, Chip Ant, MMT |

PRODUCT DIMENSIONS



FOR MORE INFORMATION
PLEASE VISIT WWW.DIGI.COM

DIGI SERVICE AND SUPPORT / You can purchase with confidence knowing that Digi is always available to serve you with expert technical support and our industry leading warranty. For detailed information visit www.digi.com/support.

© 1996-2018 Digi International Inc. All rights reserved.
All trademarks are the property of their respective owners.

91004233
A3/518

DIGI INTERNATIONAL WORLDWIDE HQ
877-912-3444 / 952-912-3444 / www.digi.com

DIGI INTERNATIONAL GERMANY
+49-89-540-428-0

DIGI INTERNATIONAL JAPAN
+81-3-5428-0261 / www.digi-intl.co.jp

DIGI INTERNATIONAL SINGAPORE
+65-6213-5380

DIGI INTERNATIONAL CHINA
+86-21-50492199 / www.digi.com.cn

